

EAVE

SKU# 189193, 189194

Rated Voltage 220-240V~ 50Hz

Thank you for purchasing this quality Bayside product. To ensure correct function and safety, please read and follow all instructions carefully before assembly, installation and use of this product. Please keep instructions for future reference.

Warranty

- This luminaire is covered by a 3-year warranty. The warranty is from the date of purchase, not the date of installation.
- If the luminaire is not assembled and installed by a licensed electrician, the warranty will be void.
- Please retain the proof of purchase and evidence of installation by a licensed electrician for any warranty enquiries.
- Warranty will be void if there is any damage due to improper usage or modification to the luminaire.
- This luminaire is not suitable for use with dimmer switches. Warranty will be void if the luminaire is used on the same circuit, which has a dimmer switch.
- Failure to comply with the instructions in this manual may increase the risk of damage or injury and will void the warranty.

Installation Requirements

- This luminaire must be assembled and installed by a licensed electrician.
- All wiring and installation of the luminaire must adhere to the latest local and national wiring rules. E.g. AS/NZS 3000 Electrical Installations.
- This luminaire is a Class II product and must be maintained during wiring and installation.
- This luminaire is rated IP44 and must be maintained during wiring and installation of the luminaire.
- Select a suitable location for installation:
 - This luminaire is suitable for indoor or outdoor use.
 - This luminaire is rated against water penetration to IP44 standards, which is water splashing from any direction.
 - The mounting point must support 2 times the weight of the luminaire.
 - Ensure the luminaire is not installed in the direct line of an air vent/system.
 - If installing a luminaire in an area prone to moisture, ensure that the area is well ventilated, and an appropriately rated exhaust fan is used if required. Damage or corrosion caused by moisture is not a product fault, and as such is not covered under warranty.
 - The luminaire is not suitable to use with dimmer switches and must not be used with a circuit which has a dimmer.
- Take care not to pull any electrical wires during unpacking as this may damage the connection.
- Lay out all the components on a smooth surface and make sure no components are missing before assembling. If parts are missing, return the complete product to the place of purchase for inspection or replacement.
- Check whether the luminaire has been damaged during transport. Do not operate/install any product which appears damaged in any way. Return the complete product to the place of purchase for inspection, repair or replacement.

Installation Directions

WARNING: Ensure power to the circuit you are working on has been switched OFF, before commencing any electrical work.

1. Remove all packaging material from the product and be careful not to throw away accessories that may be hidden within the packaging material.
2. Use the mounting bracket as a template to mark the screw positions on the ceiling. (fig. A)
For SKU# 189193 the mounting brackets should be spaced out approximately 500 - 550mm.
For SKU# 189194 the mounting brackets should be spaced out approximately 800 - 850mm.
3. Install the mounting brackets onto the ceiling by using appropriately sized mounting screws and anchors. Ensure the screws and anchors used are suitable for the mounting surface and the surrounding environment. (fig. A)
4. Remove the screws from the cord anchorage at the back of the luminaire. (fig. B)
5. Remove the cover from the side the of luminaire by loosening the two screws. (fig. B)
6. Insert the mains supply wire through the cord entry at the back of the luminaire and connect to the terminal block at the side of the luminaire. (fig. C)

Mains Supply Wire

Neutral – Blue or Black

Live – Brown or Red

Luminaire Wire / Terminal Block

Blue or N

Brown or L

7. Ensure the wires are secure and no bare wires are exposed.
8. Secure the mains supply using the cord anchorage at the back of the luminaire and fix into position by installing the screws back onto the cord anchorage. (fig. C)

NOTE: Do not overtighten the screws on the cord anchorage, as this may crush or damage the mains supply wire.

9. Install the cover back onto the side of the luminaire and secure by installing the screws. Ensure to fully insert the plastic grommets into the screw holes. (fig. D)

NOTE: The plastic grommet must be used to maintain the IP44 rating for this luminaire.

10. On the other side of the luminaire, pull back the plastic cover/door to access the colour shifting switch. Select the desired colour temperature for your installation. (fig. E)

NOTE: When changing the colour temperature, the luminaire MUST be turned OFF. If the luminaire is on when the colour temperature is changed, this may damage the LED driver and the warranty will be void.

11. After selecting the colour temperature, ensure to fully insert the plastic cover/door back over the colour shifting switch.

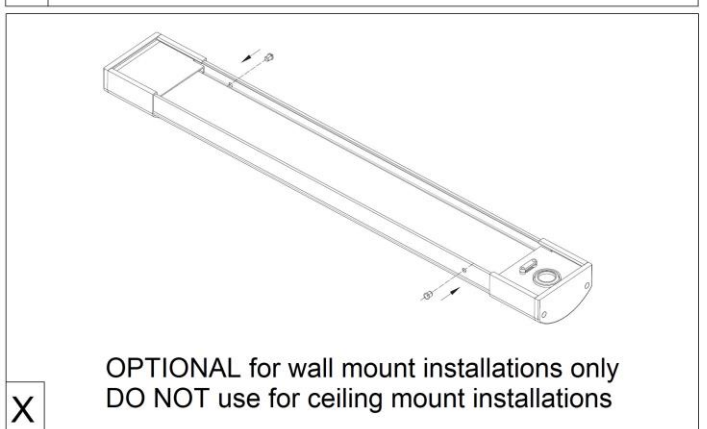
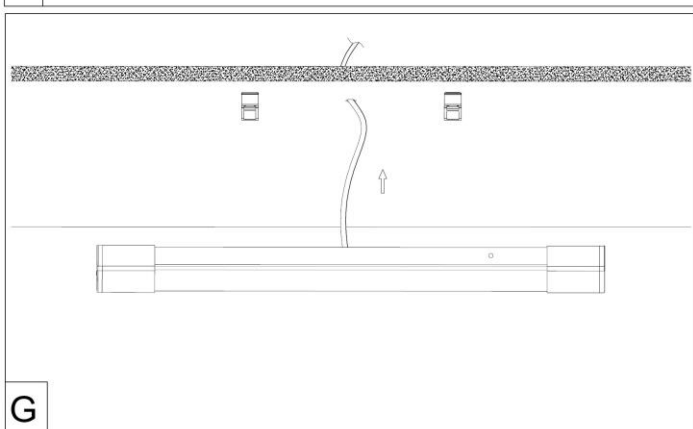
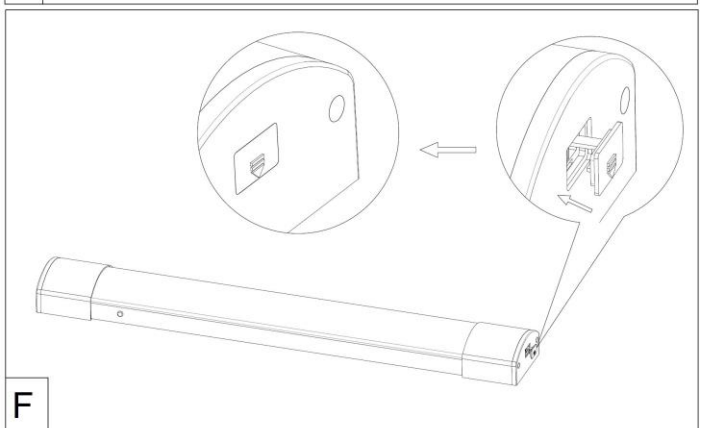
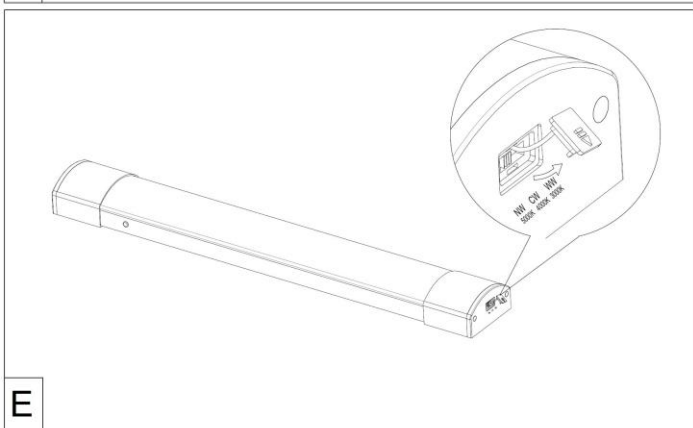
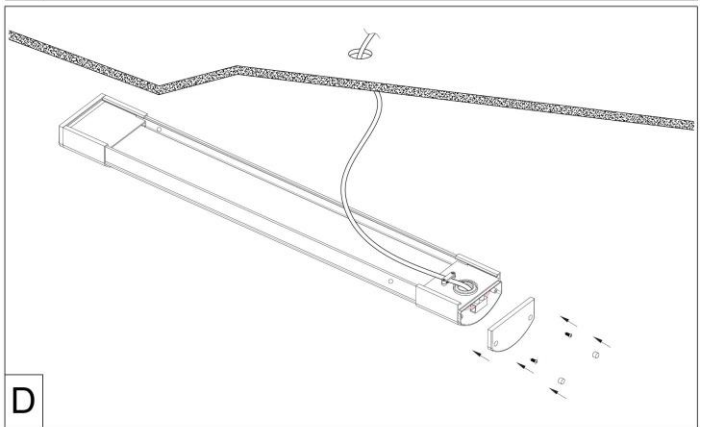
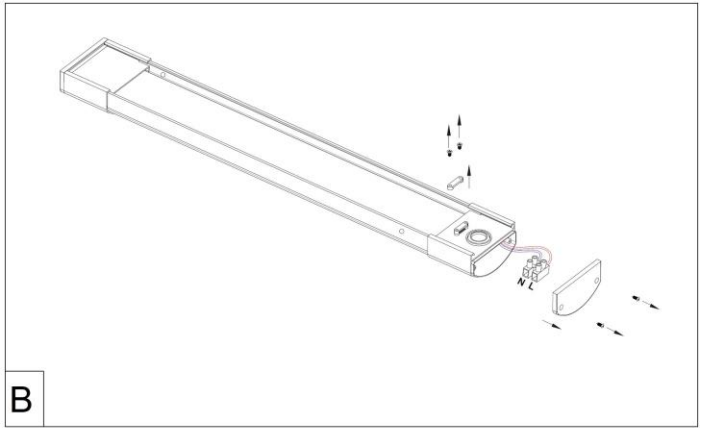
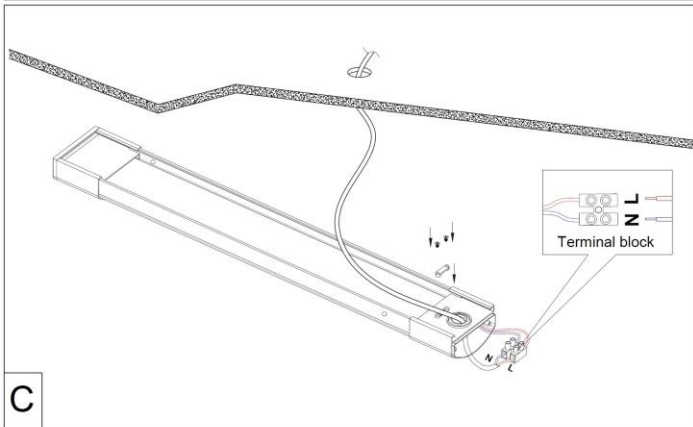
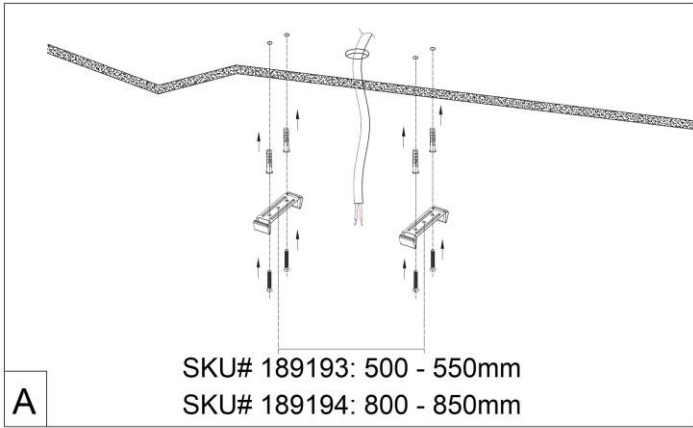
NOTE: Ensure the plastic cover/door is flat and installed properly, as it is used to maintain the IP44 rating for this luminaire.

12. Install the luminaire by pushing it onto the mounting bracket until it locks/clicks into position.
13. After the installation is complete, switch on the luminaire to test and enjoy your new lighting product.

WALL MOUNT INSTALLATION (fig. X)

For wall mount installations you can use the decorative plastic caps to cover the holes on the side of the luminaire.

NOTE: DO NOT use these decorative plastic caps for ceiling mount installations.



Safety Tips

- Always ensure the power is OFF and the luminaire has cooled down before performing any maintenance, cleaning or making any adjustment to the luminaire.
- To avoid injury or damage to the luminaire, ensure that power leads and screws are secure before connecting the power.
- Select a suitable location away from liquids and hazards.
- To clean, wipe with a soft damp cloth. Do NOT soak or immerse the luminaire in water or other liquids.
- Ensure that the luminaire does not come in contact with corrosive chemicals/solvents or abrasive cleaners etc.
- The light source of this luminaire is not replaceable; when the light source reaches its end of life, the whole luminaire shall be replaced.
- There are no serviceable parts, do not attempt to dismantle or open the luminaire.

Specifications

SKU #	189193	189194
Rated Voltage	220-240V~ 50Hz	
Rated Wattage	30W Max.	40W Max.
LED Specs	Colour shifting LEDs, Non-Dimmable, CRI≥80	
Lumens	3000K – 2850 lumens 4000K – 3300 lumens 5000K – 3050 lumens	3000K – 4000 lumens 4000K – 4500 lumens 5000K – 4100 lumens
IP Rating	IP44	
Weight	0.8kg	1.0kg
Dimensions	H:83mm W:900mm E:45mm	H:83mm W:1200mm E:45mm