

## **LUCCI LADDER 5 BAR HEATED TOWEL RAIL**

- **INSTALLATION**
- **OPERATION**
- **MAINTENANCE**
- **WARRANTY INFORMATION**

**CAUTION**  
**READ INSTRUCTIONS CAREFULLY FOR SAFE**  
**INSTALLATION AND OPERATION.**

## THANK YOU FOR PURCHASING

To ensure correct function and safety, please read and follow all instructions carefully before assembly, installation and use of this appliance. Please keep instructions for future reference.

## WARRANTY

- This product is covered by a 12-month warranty. The warranty is from the date of purchase, not the date of installation.
- Please retain the proof of purchase for any warranty enquires.
- The warranty will be void if there is any damage due to improper usage or modification to the product.
- Failure to comply with the instructions in this manual may increase the risk of damage or injury and will void the warranty.

## IMPORTANT SAFETY PRECAUTIONS

- This appliance is not intended for use by persons (including children) with reduced physical, sensory or mental capabilities, or lack of experience and knowledge, unless they have been given supervision or instruction concerning use of the appliance by a person responsible for their safety.
- Children should be supervised to ensure that they do not play with the appliance.
- This is a Class I product and must be earthed during installation and/or wiring.
- If the supply cord is damaged, it must be replaced by the manufacturer, its service agent or similarly qualified persons in order to avoid a hazard.
- DO NOT attempt to modify or dismantle the appliance in any circumstances.
- Always turn OFF the power at the isolation switch or unplug from the fixed socket outlet before performing any maintenance or attempting to clean the appliance.
- Keep the appliance at least 100mm away from any surrounding surfaces.
- Read and follow all of the instructions in this manual and store it in a safe place for future reference.
- For your convenience record the model number and the purchase receipt in a safe place.

**WARNING:** In order to avoid a hazard for very young children, this appliance should be installed so that the lowest heated rail is at least 600 mm above the floor.




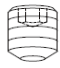

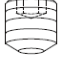
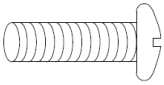
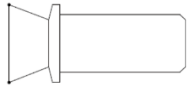
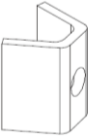
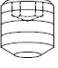
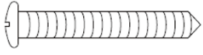
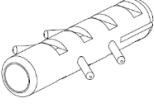

**WARNING:** The towel rail is to be installed so that the fixed socket outlet, switches and/or other controls cannot be touched by a person within the bath or shower.

**WARNING:** To prevent strangulation and shock hazard to children, the flexible wiring connected to this appliance shall be effectively fixed to the wall. (For plug-in installations)

**For Hardwire Installation:** please refer to Pages 4-6

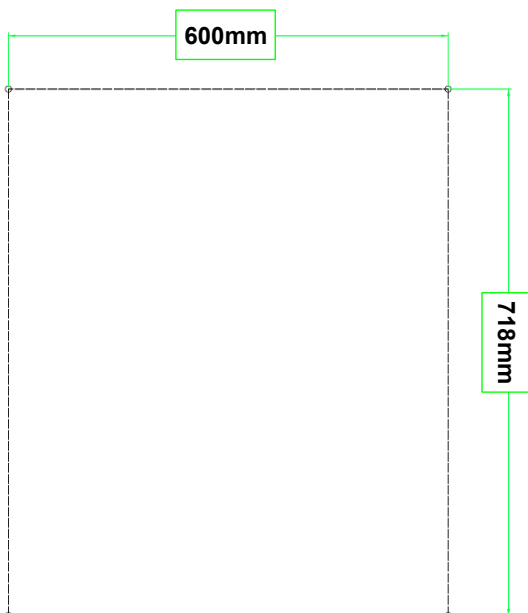
**For DIY Plug-In Installation:** please refer to Pages 7-9

**PARTS LIST**

  <p><b>(A) - Standard Wall Spacing Leg + M5x6 Screw + Fixing Base (3x Sets)</b></p>	  <p><b>(B) - Wall Spacing Leg for Concealed Wiring (Hardwire Installation) + M5x6 Screw (1x Set)</b></p>	  <p><b>(C) - Wall Spacing Leg for Exposed Wiring (DIY Plug-In Installation) + M5x6 Screw (1x Set)</b></p>
 <p><b>Leg Screw M5x16 – 3pcs</b></p>	 <p><b>Nylon Push Plug – 1pc (Hardwire Installation)</b></p>	 <p><b>U-Shaped Fixing Base – 1pc (DIY Plug-In Installation)</b></p>
 <p><b>M5x4 Screw – 4pc</b></p>	 <p><b>Mounting Screw (ST5x50) – 4pc</b></p>	 <p><b>Plastic Expanders – 4pc</b></p>
 <p><b>Allen Key – 1pc</b></p>		

**MOUNTING POINTS**

Use the dimensions below to mark the mounting points onto the wall. Before installation, use the product to double check and ensure the legs align with the marked mounting positions.



**WARNING:**

In order to avoid a hazard for very young children, this appliance should be installed so that the lowest heated rail is at least 600 mm above the floor.

**WARNING:**

The towel rail is to be installed so that the fixed socket outlet, switches and/or other controls cannot be touched by a person within the bath or shower.

# HARDWIRE INSTALLATION METHOD

*(For DIY Plug-In Installation, please refer to Pages 7-9)*

## HARDWIRE INSTALLATION REQUIREMENTS

- The installation of this appliance must adhere to the local council regulation and the latest local and national wiring rules, e.g. AS/NZS 3000 electrical installations. If unsure, please contact a licensed electrician for installation.

**WARNING: For hardwire installation, an all pole disconnection MUST BE incorporated in the fixed wiring in accordance with the wiring rules. As outline in clause 7.12.2 of AS/NZS 60335.1 for meeting the minimum electrical safety of this standard.**

- An isolation switch must be included in the wiring installation. A circuit breaker can be classified as an isolation switch. The isolation switch allows disconnecting of the appliance from the mains 220-240V AC power during maintenance and cleaning.
- For hardwire installations, the appliance must be assembled and installed by a licensed electrician.
- This product is rated IP44 and is suitable for indoor use only. This product is NOT suitable for outdoor use.
- Keep the appliance at least 100mm away from any surrounding surfaces.
- Do not place flammable material near or over the product.
- The mounting point must be able to support at least 4 times the weight of the appliance.

**WARNING: DO NOT connect the appliance to the mains supply voltage until it is fully assembled and installed in the desired location.**

## HARDWIRE INSTALLATION DIRECTIONS

**WARNING:** For hardwire installations, the appliance must be assembled and installed by a licensed electrician.

1. Follow the mounting point measurements on Page 3 to mark the mounting positions onto the wall.
2. Cut the plug off the end of the supply cable and remove the wall spacing leg for exposed wiring (C) from the fitting.
3. Install 2x standard wall spacing legs (A) at the top of the towel rail and secure using leg screws M5\*16 (Fig. 1B)
4. Install the wall spacing leg for concealed wiring (B) over the appliance cable and secure onto the towel rail using 2x M5\*4 grub screws and tighten with the Allen key provided. (Fig. 1A)
5. Install the third standard wall spacing leg (A) at the bottom of the towel rail and secure using a leg screw M5\*16.
6. With the legs now installed, hold the towel rail up against the wall to check that the legs properly align with the mounting positions marked in Step 1.
7. For the 3x standard wall spacing legs, install the fixing bases onto the mounting positions using the mounting screws (ST5x50) and plastic expanders. (Fig. 1C) Ensure the mounting screws and plastic expanders used are suitable for the mounting surface and the surrounding environment.
8. Drill a 16mm hole for the cord entry into the wall in the bottom right mounting position. Install the nylon push plug into the hole. (Fig. 1C)
9. Insert the cable through the nylon push plug.
10. Connect the mains supply wire with the appliance cable using an appropriate termination facility (not included). Ensure that the wires are secure, and no bare wires are exposed.

### Mains Supply Wire

Earth – Yellow/Green  
 Neutral – Blue or Black  
 Live – Brown or Red

### Appliance Cable

Yellow/Green  
 Blue  
 Brown

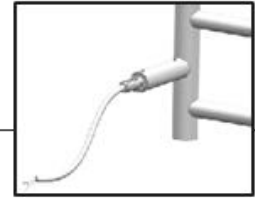
**NOTE:** This appliance is a Class I product and must be earthed during wiring and installation.

11. Install the legs of the towel rail onto the fixing bases and nylon push plug mounted on the wall (Fig. 1D)
12. Secure the towel rail onto the bases using the M5\*6 grub screws and the Allen key provided (Fig. 1E)

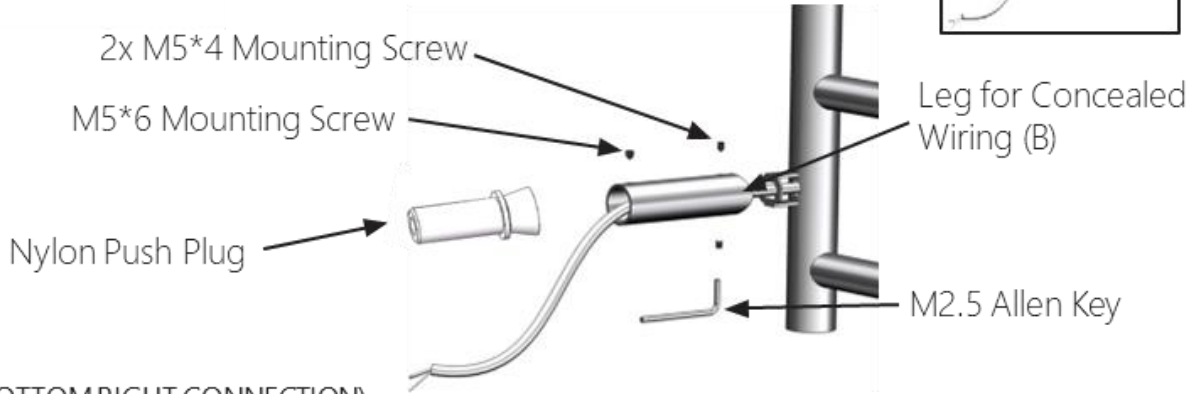
*(The above is for Hardwire installation.  
 For DIY Plug-In Installation, please refer to Pages 7-9)*

**HARDWIRE INSTALLATION PICTURE**

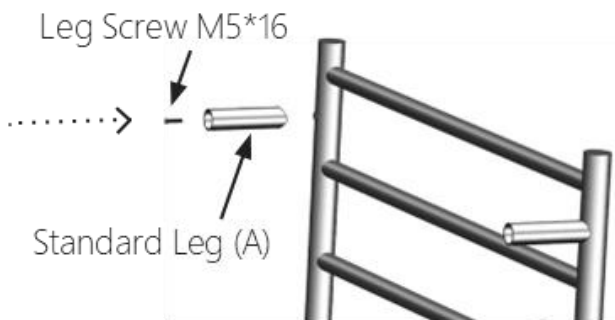
**! IMPORTANT: CONCEALED WIRING MUST BE INSTALLED BY A LICENSED ELECTRICIAN.**



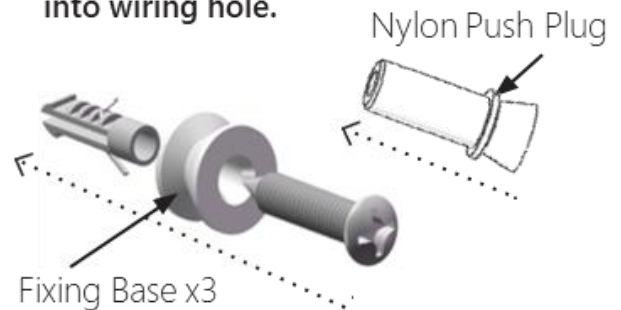
**1A Exploded View**



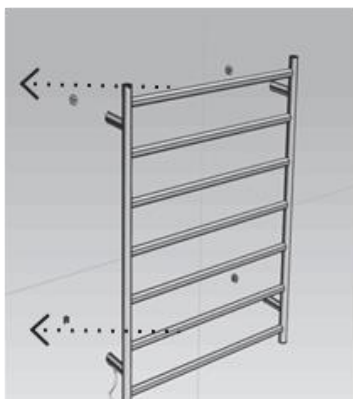
**1B Attach legs to the towel rail & mark the desired location onto the wall as per the measurements on Page 3**



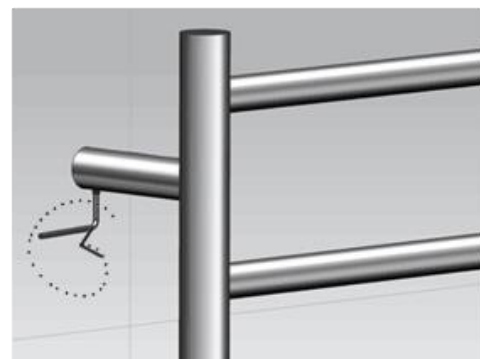
**1C drill holes in marked positions and mount 3x fixing bases into the wall using Mounting Screws and plastic expanders. Insert the Nylon Push Plug into wiring hole.**



**1D Connect the assembled rail onto the Fixing Bases and Nylon Push Plug on the wall.**



**1E Tighten the 4 legs with the M5\*6 Mounting Screws and the Allen Key.**



*(The above is for Hardwired installation. For DIY Plug-In Installation, please refer to Pages 7-9)*

# PLUG-IN INSTALLATION METHOD

*(For Hardwire Installation, please refer to Pages 4-6)*

## PLUG-IN INSTALLATION REQUIREMENTS

**WARNING: To prevent strangulation and shock hazard to children, the flexible wiring connected to this appliance shall be effectively fixed to the wall.**

- The installation of this appliance must adhere to the local council regulation and the latest local and national wiring rules, e.g. AS/NZS 3000 electrical installations. If unsure, please contact a licensed electrician for installation.
- The plug must be accessible to provide a full disconnection of the appliance from the mains 220-240V AC power during maintenance and cleaning.
- This product is rated IP44 and is suitable for indoor use only. This product is NOT suitable for outdoor use.
- Keep the appliance at least 100mm away from the surrounding surface.
- Do not place flammable material near or over the product.
- The mounting point must be able to support at least 4 times the weight of the appliance.

**WARNING: DO NOT connect the appliance to the mains supply voltage until it is fully assembled and installed in the desired location.**

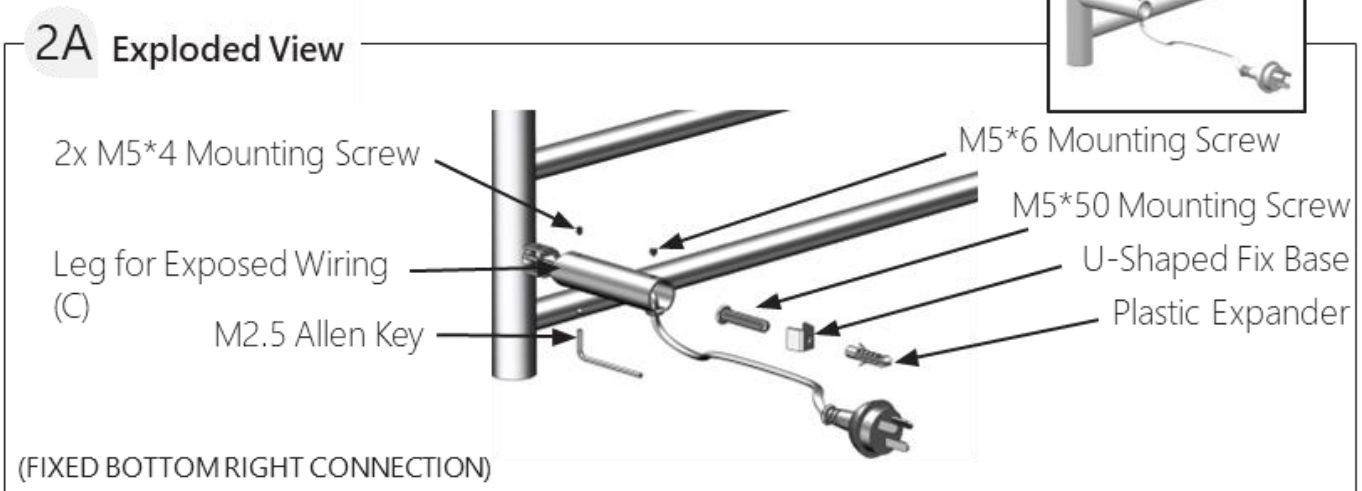
**PLUG-IN INSTALLATION DIRECTIONS**

- **The appliance is supplied with a cable and 3-pin plug. Check that the installation location has access to a fixed socket outlet. If it does not, please contact a licensed electrician to arrange the installation of the socket outlet before continuing.**
  - **If there is an existing fixed socket outlet, check and ensure the location of the fixed socket outlet complies with local and national wiring rules. e.g. AS/NZS 3000 Electrical Installations. If unsure, please contact a licensed electrician.**
  - **The installation location of this appliance must adhere to the latest local and national wiring rules. e.g. AS/NZS 3000 Electrical Installations. If unsure, please contact a licensed electrician.**
  - **The plug must be accessible for disconnection of the appliance from the mains 220-240V AC power during maintenance and cleaning.**
  - **Do not locate the appliance immediately below or in front of a fixed socket outlet.**
1. Follow the mounting point measurements on Page 3 to mark the mounting positions onto the wall.
  2. Install 2x standard wall spacing legs (A) at the top of the towel rail and secure using leg screws M5\*16 (Fig. 2B)
  3. Install the wall spacing leg for exposed wiring (C) onto the heated towel rail using 2x M5\*4 grub screws and tighten with the Allen key provided. (Fig. 2A) Ensure that the U-Shaped cutout of the wall spacing leg (C) is positioned towards the bottom of the fitting, and that the wiring passes through the U-shaped cutout.
  4. Install the third standard wall spacing leg onto the bottom of heated towel rail and secure using a M5\*16 screw.
  5. With the legs now installed, hold the towel rail up against the wall to check that the legs properly align with the mounting positions marked in Step 1.
  6. Install the special U-shaped fixing base onto the wall in the bottom right mounting position (aligns with the leg with the power cable) using the mounting screws (ST5x50) and plastic expanders. (Fig. 2A & 2C) Ensure the mounting screws and plastic expanders used are suitable for the mounting surface and the surrounding environment.
  7. For the 3x standard wall spacing legs, install the fixing bases onto the wall in the remaining 3 mounting positions using the mounting screws and plastic expanders. (Fig. 2C)
  8. Install the heated towel rail onto the bases mounted on the wall. (Fig. 2D)
  9. Secure the heated towel rail onto the bases using M5\*6 grub screws with the Allen key provided (Fig. 2E)
  10. Insert the 3-pin plug into the fixed socket outlet and ensure that it functions correctly.

*(The above is for DIY Plug-in installation.  
For Hardwire Installation, please refer to Pages 7-9)*



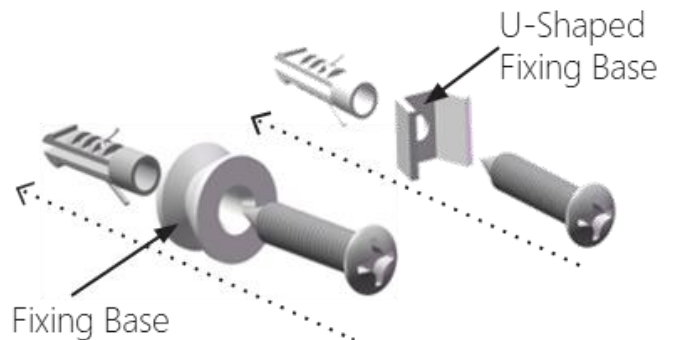
**PLUG-IN INSTALLATION PICTURE**



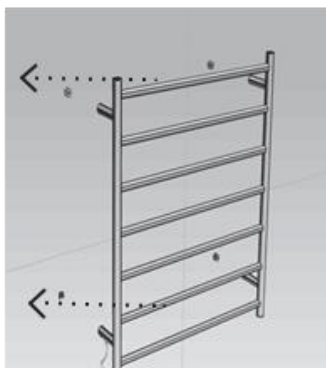
**2B Attach legs to the towel rail & mark the desired location onto the wall as per the measurements on Page 3**



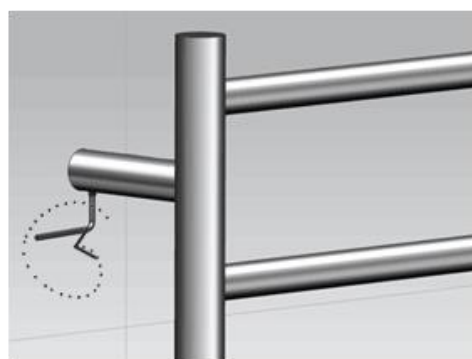
**2C drill holes in marked positions and mount fixing bases into the wall using Mounting Screws and plastic expanders. The U-Shaped Fixing Base is to be installed in the Bottom Right.**



**2D Connect the assembled rail onto the Fixing Bases on the wall.**



**2E Tighten the 4 legs with the M5\*6 Mounting Screws and the Allen Key.**



*(The above is for DIY Plug-in Installation. For Hardwire Installation, please refer to Pages 4-6)*

**CARE & CLEANING**

**WARNING: Always turn OFF the power at the isolation switch and allow the appliance to cool down before performing any maintenance or attempting to clean the appliance.**

- To clean the appliance, wipe with a damp clean cloth.
- DO NOT use any corrosive chemicals, organic solvents, or abrasive cleaners etc.
- DO NOT use the water hose or high-pressure water to clean the appliance. It could damage the appliance and create the possibility of an electrical shock.
- DO NOT soak or immerse your appliance in the water or other liquids. It could damage the appliance and create the possibility of an electrical shock.

SPECIFICATION		
SKU #	190154	190155
Colour	Matte Black	Polished Stainless Steel
Rated Voltage	220-240V~, 50Hz	
Rated Wattage	85W Max.	
Insulation Class	Class I	
IP Rating	IP44 after installation	
Weight	3kg	
Dimensions	H:800mm W:750mm E:120mm	

## LUCCI WARRANTY DETAIL

LUCCI WARRANTY HOTLINE- 1800 602 243

### THIS WARRANTY IS VALID IN AUSTRALIA ONLY

In the event where servicing is required, please call the Lucci Product Warranty Hotline on 1800 602 243 between 9 am & 5 pm (EST) Monday to Friday. Please make sure you have all the product details filled out at the end of the manual before making the call.

Every Lucci product is thoroughly inspected and tested before being released for sale. In addition to any warranty rights or conditions under statutory regulations, Lucci warrants all of its products against defective workmanship and faulty materials for twelve (12) months from the date of purchase. Lucci undertakes, at its option, to repair or replace, free of charge, each product or part thereof on condition that;

1. The product or relevant part has not been subjected to misuse, neglect, or being involved in an accident.
2. The repairs are not required as a result of normal wear and tear.
3. The product was installed by a licensed electrical contractor.
4. A copy of the original receipt of purchase is presented.
5. A 12-month warranty applies when used in any non-domestic applications.
6. This warranty does not cover stains, scratch and scuff marks, or dents if the product is purchased through a factory outlet or to refurbished items.

Our goods come with guarantees that cannot be excluded under the Australian Consumer Law. You are entitled to a replacement or refund for a major failure and compensation for any other reasonably foreseeable loss or damage. You are also entitled to have the goods repaired or replaced if the goods fail to be of acceptable quality and the failure does not amount to a major failure.

**Lucci Design cannot be held responsible for any repair other than those carried out by it or one of its Authorised Service Agents. Please keep this warranty information in a safe place. This information must be produced in the event of service being required.**

**Distributed by:**

Beacon Lighting

140 Fulton Drive

Derrimut, Victoria, 3026

Australia

Ph +613 9368 1000

Email: [warranty@beaconlighting.com.au](mailto:warranty@beaconlighting.com.au)

## LUCCI WARRANTY INFORMATION

LUCCI WARRANTY HOTLINE- 1800 602 243

Complete and retain this form for your personal records and warranty purposes.

NAME.....

ADDRESS.....

.....POSTCODE.....

MODEL NUMBER.....

(PO# + DATE CODE Sticker here)

PO NUMBER or DATE CODE .....

DATE OF PURCHASE.....

INSTALLING LICENSED ELECTRICIAN.....

.....

LICENCE No.....

ATTACH PROOF OF PURCHASE HERE

THIS COMPLETED DETAIL PAGE SHOULD BE PRODUCED AND SENT TO THE WHOLESALE OR THEIR AUTHORISED AGENTS BEFORE OBTAINING WARRANTY SERVICE