

PLEXI II LED WALL BRACKET

SKU# 190684, 190685, 190686, 190687, 190688, 190689

Rated Voltage 220-240V~ 50Hz

Thank you for purchasing this quality Lucci product. To ensure correct function and safety, please read and follow all instructions carefully before assembly, installation and use of this luminaire. Please keep instructions for future reference.

Warranty

- This luminaire is covered by a 3 year warranty. The warranty is from date of purchase, not the date of installation.
- If the luminaire is not installed by a licensed electrician it will void the warranty.
- Please retain proof of purchase and evidence of installation by a licensed electrician for any warranty enquiries.
- The use of non-compatible dimmers may damage your LED light fitting and will void the warranty.
- Warranty will be void if there is any damage due to improper usage or modification to the luminaire.
- Failure to comply with the instructions in this manual may increase the risk of damage or injury and will void warranty.

Installation requirements

- Must be assembled and installed by a licensed electrician.
- All wiring and installation of the light fitting must adhere to local and national wiring rules.
eg. AS/NZS 3000:2007/Amendment 2:2012 Electrical installations.
- Select a suitable location for installation:
 - This product is suitable for indoor use only.
 - The mounting point must support 2 times the weight of the luminaire.
 - Ensure the luminaire is not installed next to any air vent system.
 - When installing a luminaire in an area prone to moisture, ensure that the area is well ventilated and an appropriately rated exhaust fan is used if required. Damage or corrosion caused by moisture is not a product fault, and as such is not covered under warranty.

- This luminaire is dimmable and has been tested at the date of publication with the dimmers listed in the specification section. The use of a LED dimmer such as the Lucci LEDlux SKU# 290998 or SKU# 290997 dimmer is highly recommended.

NOTE: For the best dimming range, use with the Lucci LEDlux SKU# 290998 dimmer and adjust the variable resistor at the minimum and maximum dimming positions on the dimmer during the installation.

NOTE: Dimming may cause buzzing sounds or a slight flicker. There may be slight delays with the LED light start up or slight uneven light performance when more than one LED luminaire is linked together, switched ON or dimmed. This is not a product fault and as such is not covered under warranty.

NOTE: Some dimmers have a minimum load of 20W. Ensure the dimmer position is on the maximum setting before turning on the LED light and adjust the dimmer down to your desired light level.

NOTE: Testing cannot account for installation variables such as variation in mains supply voltage, cable capacitance, electrical noise, transients, surges and ripple control signals (commonly found in NSW & QLD).

NOTE: The information provided is correct to the best of Beacon Lighting's knowledge at the date of publication.

- Take care not to pull any electrical wires during unpacking as this may damage the connection.
- Lay out all the components on a smooth surface and make sure there are no components missing before assembling. If parts are missing, return the complete product to the place of purchase for inspection or replacement.
- Check whether the luminaire has been damaged during transport. Do not operate/install any product which appears damaged in any way. Return the complete product to the place of purchase for inspection, repair or replacement.
- Ensure power to the circuit you are working on has been switched OFF before commencing any electrical work.

Installation directions

1. Remove all packaging material from the product and be careful not to throw away accessories that may be hidden within the packaging material.
2. Remove the mounting bracket from the lamp body by loosening the screws.
3. Use the mounting bracket as a template to mark the screw positions on the wall.
4. Install the mounting bracket onto the wall by using appropriately sized mounting screws and anchors (Fig. 1). Ensure the screws and anchors used are suitable for the mounting surface.
5. Open the cover of terminal block box and connect the mains supply wire to the terminal block. (Fig. 2)

Mains Supply Wire

Neutral – Blue

Live – Brown

Fitting Wire

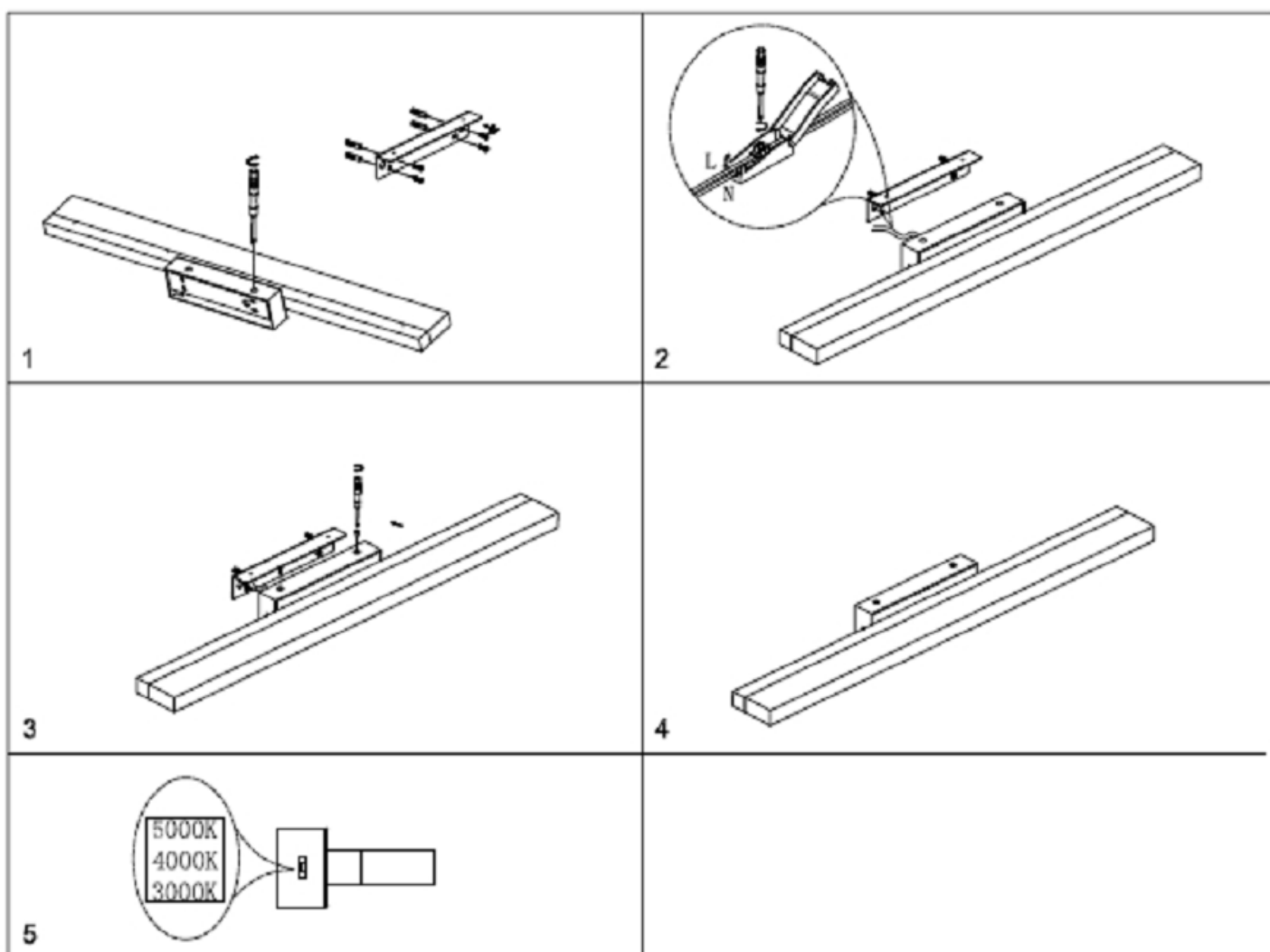
Blue (N)

Brown (L)

Ensure the wires are secure and no bare wires are exposed. Reinstall the cover of terminal block.

6. Attach the lamp body onto the mounting bracket and secure it by tightening the screws. (Fig 3).
7. This product has a colour switching function (**3000K, 4000K, 5000K**). Select the color temperature by sliding the switch. Fig. 5

NOTE: Please turn off the power to the luminaire before sliding the switch.



Safety tips

- Always ensure the power is OFF and the luminaire has cooled down before performing any maintenance, cleaning or adjustment to the luminaire.
- To avoid injury or damage to the luminaire, ensure that power leads and screws are secure before connecting the power.
- Ensure that the luminaire does not come in contact with corrosive chemicals, etc.
- To clean, wipe with a damp clean cloth. Never soak the luminaire with water.

Troubleshooting

PROBLEM	POSSIBLE CAUSE	SUGGESTED SOLUTION
Does not work. (New installation)	Wiring loose or no power to the LED luminaire.	Check your circuit breaker/safety switch box and turn on power to your circuit.
		Contact the installing licensed electrician to check if the luminaire has been installed correctly.
Does not work. (Existing installation)	No power to the LED luminaire.	Check your circuit breaker/safety switch box and turn on power to your circuit.
		Contact your nearest Beacon Lighting store.
Flickers when dimming. (New installation)	Non-compatible dimmer used.	Check the dimmer used. Ensure the dimmer used is on the list of compatible dimmers in this manual.
	Some dimmers have a variable loading adjustment function. eg. Lucci LEDlux SKU# 290998 dimmer. This may not have been adjusted during the installation of the dimmer.	The variable resistor needs to be adjusted to suit the LED luminaire load to reduce the flickering.
Flickers when dimming. (Existing installation)	Dimmer position on low.	Ensure the dimmer position is on the maximum setting before turning on the LED luminaire and adjust the dimmer down to your desired light level.
Buzzing sound.	Non-compatible dimmer used.	Check the dimmer used. Ensure the dimmer used is on the list of compatible dimmers in this manual.
Uneven light start up.	Dimmer position on low when switched on.	Ensure the dimmer position is on the maximum setting before turning on the LED luminaire and adjust the dimmer down to your desired light level.

Specifications

SKU #	190684	190685	190686	190687	190688	190689
Colour	Black	White	Chrome	Black	White	Chrome

Insulation Class	Class II	
Rated Voltage	220-240V~ 50Hz	
Rated Wattage	20W	25W
LED Specs	3000K, 4000K, 5000K, 1500lm	3000K, 4000K, 5000K, 1800lm
Dimmer Information	Highly Recommended Dimmers	Lucci LEDlux SKU# 290998, SKU#290997
	Compatible Dimmers	LUMEX Load Smart LT1D450LS; DIGINET LED Smart MEDM; Clipsal 31E2RUDM, 32E450TM, 32E450UDM, 31E2PUDM and 32ELEDM;
Weight	2.15kg	3.0kg
Dimensions	H: 60mm W: 600mm E:120mm	H: 60mm W: 800mm E:118mm