

KINGS DIMMABLE LED WALL BRACKET

SKU# 190702, 190705, 190706, 190707

Rated Voltage 220-240V~ 50Hz

Thank you for purchasing this quality Lucci product. To ensure correct function and safety, please read and follow all instructions carefully before assembly, installation and use of this luminaire. Please keep instructions for future reference.

Warranty

- This luminaire is covered by a 3 year warranty. The warranty is from date of purchase, not the date of installation.
- If the luminaire is not installed by a licensed electrician it will void the warranty.
- Please retain proof of purchase and evidence of installation by a licensed electrician for any warranty enquiries.
- The use of non-compatible dimmers may damage your LED light fitting and will void the warranty.
- Warranty will be void if there is any damage due to improper usage or modification to the luminaire.
- Failure to comply with the instructions in this manual may increase the risk of damage or injury and will void warranty.

Installation requirements

- This luminaire must be assembled and installed by a licensed electrician.
- All wiring and installation of the luminaire must adhere to the latest local and national wiring rules. eg. AS/NZS 3000 Electrical installations.
- This luminaire is a Class II product and must be maintained during wiring and installation.
- Select a suitable location for installation:
 - This product is suitable for indoor use only.
 - The mounting point must support 2 times the weight of the luminaire.
 - Ensure the luminaire is not installed next to any air vent system.
 - When installing a luminaire in an area prone to moisture, ensure that the area is well ventilated and an appropriately rated exhaust fan is used if required. Damage or corrosion caused by moisture is not a product fault, and as such is not covered under warranty.
- The colour shifting function will only operate with a mechanical or relay ON/OFF switch.
- The colour shifting function will not operate with a semi-conductor ON/OFF switch (e.g. smart switch) or a dimmer with built in ON/OFF switching function (e.g. smart dimmer). An additional mechanical or relay ON/OFF switch is required on the same circuit with the semi-conductor ON/OFF switch or the dimmer with ON/OFF switching function with this luminaire
- This luminaire is dimmable and has been tested at the date of publication with the dimmers listed in the specification section. The use of a LED dimmer such as the Lucci Power SKU# 290989, 290992, 290993, 290994, Lucci Connect SKU# 299043 or Buster + Punch DIM-002 dimmer is highly recommended.

NOTE: Dimming may cause buzzing sounds or a slight flicker. There may be slight delays with the LED light start up or slight uneven light performance when more than one LED luminaire is linked together, switched ON or dimmed. This is not a product fault and as such is not covered under warranty.

NOTE: Some dimmers have a minimum load of 20W. Ensure the dimmer position is on the maximum setting before turning on the LED light and adjust the dimmer down to your desired light level.

NOTE: Testing cannot account for installation variables such as variation in mains supply voltage, cable capacitance, electrical noise, transients, surges and ripple control signals (commonly found in NSW & QLD).

NOTE: The information provided is correct to the best of Beacon Lighting's knowledge at the date of publication.

- Take care not to pull any electrical wires during unpacking as this may damage the connection.
- Lay out all the components on a smooth surface and make sure there are no components missing before assembling. If parts are missing, return the complete product to the place of purchase for inspection or replacement.
- Check whether the luminaire has been damaged during transport. Do not operate/install any product which appears damaged in any way. Return the complete product to the place of purchase for inspection, repair or replacement.
- Ensure power to the circuit you are working on has been switched OFF before commencing any electrical work.

Installation Directions

1. Remove all packaging material from the product and be careful not to throw away accessories that may be hidden within the packaging material. If assembly is required, place the luminaire on a smooth non-scratch surface.
2. Use the cardboard template (A) to mark the screw positions on the wall and drill the holes. (Fig. 1)
3. Install the mounting brackets (C) onto the wall by using appropriately sized mounting screws (D) and anchors (B). Ensure the screws (D) and anchors (B) used are suitable for the mounting surface and the surrounding environment. (Fig. 2)
4. Open the cover of the terminal box and connect the mains supply wire to the terminal block (E). (Fig. 3)

Mains Supply Wire

Neutral – Blue

Live – Brown

Luminaire Wire / Terminal label

Blue (N)

Brown (L)

Ensure the wires are secure and no bare wires are exposed. Reinstall the cover back onto the terminal box.

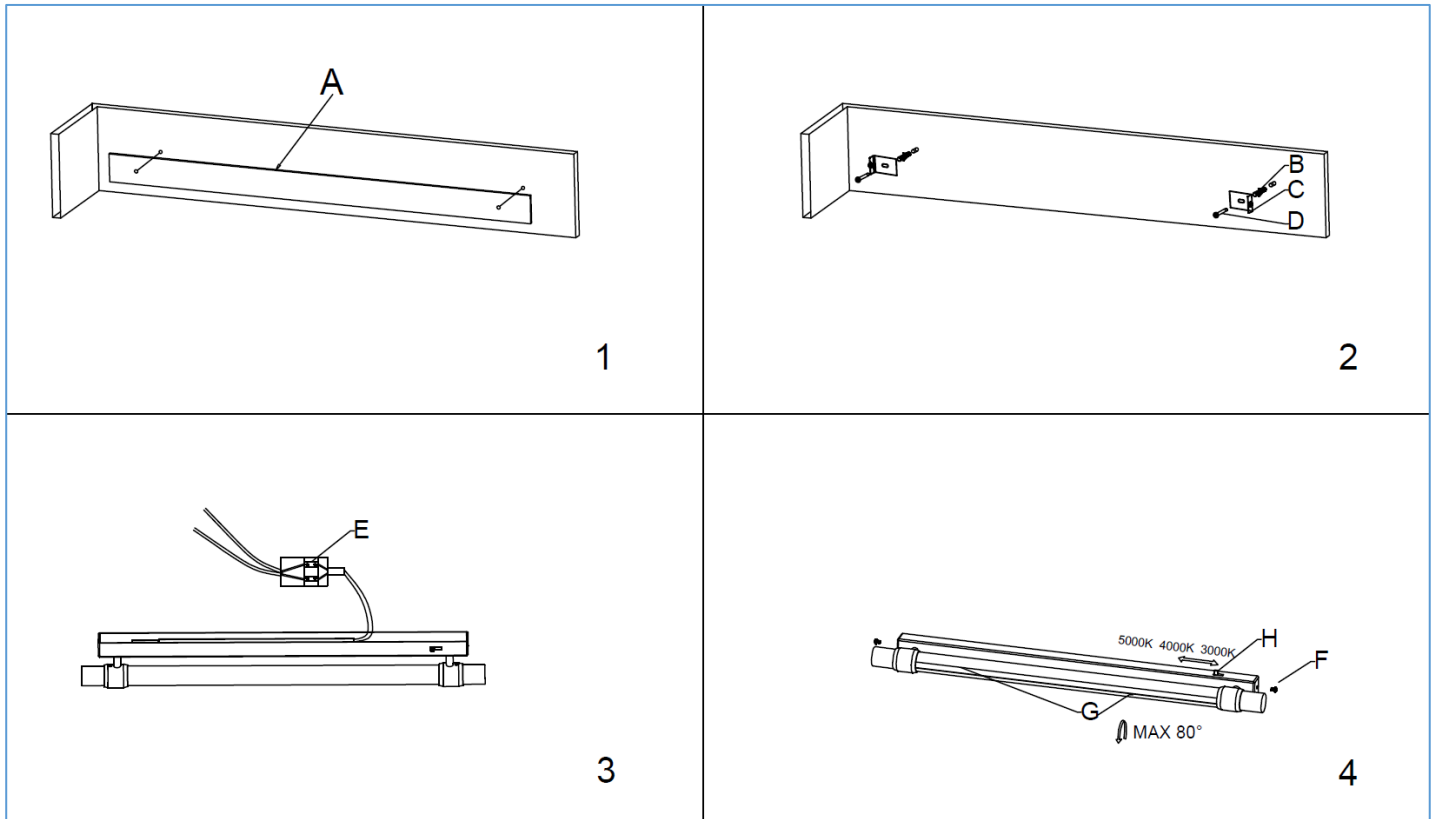
NOTE: This is a Class II luminaire; this must be maintained during wiring and installation.

5. Neatly place the terminal block and wires back into the luminaire. Install the luminaire onto the mounting bracket and secure it by tightening the screws (F). (Fig. 4).
6. This product has a colour switching function (**3000K, 4000K, 5000K**). Select the color temperature by sliding the switch (H). Fig. 4

NOTE: Power to the luminaire must be turned OFF, before sliding the switch to select the colour temperature.

7. To adjust lighting angle, carefully rotate the luminaire (G). Fig.4

NOTE: When adjusting the angle, do not rotate more than 80° as this may damage the internal wiring.



NOTE: Power to the luminaire must be turned OFF, before sliding the switch to select the colour temperature.
NOTE: When adjusting the angle, do not rotate more than 80° as this may damage the internal wiring.

Safety Tips

- Always ensure the power is OFF and the luminaire has cooled down before performing any maintenance, cleaning or adjustment to the luminaire.
- To avoid injury or damage to the luminaire, ensure that power leads and screws are secure before connecting the power.
- Ensure that the luminaire does not come in contact with corrosive chemicals, etc.
- The light source of this luminaire is not replaceable; when the light source reaches its end of life the whole luminaire shall be replaced. There are no serviceable parts, do not attempt to dismantle or open the luminaire.
- To clean, wipe with a damp clean cloth. Never soak the luminaire with water.
- The light source contained in this luminaire shall only be replaced by the manufacturer or his service agent or a similar qualified person.
- The luminaire must not be used if the protective shield or shade has been cracked or damaged.

Troubleshooting		
PROBLEM	POSSIBLE CAUSE	SUGGESTED SOLUTION
Does not work. (New installation)	Wiring loose or no power to the LED luminaire.	Check your circuit breaker/safety switch box and turn on power to your circuit.
		Contact the installing licensed electrician to check if the luminaire has been installed correctly.

Does not work. (Existing installation)	No power to the LED luminaire.	Check your circuit breaker/safety switch box and turn on power to your circuit.
		Contact your nearest Beacon Lighting store.
Flickers when dimming. (New installation)	Non-compatible dimmer used.	Check the dimmer used. Ensure the dimmer used is on the list of compatible dimmers in this manual.
	Some dimmers have a variable loading adjustment function. eg. Lucci LEDlux SKU# 290998 dimmer. This may not have been adjusted during the installation of the dimmer.	The variable resistor needs to be adjusted to suit the LED luminaire load to reduce the flickering.
Flickers when dimming. (Existing installation)	Dimmer position on low.	Ensure the dimmer position is on the maximum setting before turning on the LED luminaire and adjust the dimmer down to your desired light level.
Buzzing sound.	Non-compatible dimmer used.	Check the dimmer used. Ensure the dimmer used is on the list of compatible dimmers in this manual.
Uneven light start up.	Dimmer position on low when switched on.	Ensure the dimmer position is on the maximum setting before turning on the LED luminaire and adjust the dimmer down to your desired light level.

Specifications				
SKU #	190702	190705	190706	190707
Colour	Brass Finish	Black	White	Chrome
Insulation Class	Class II			
Rated Voltage	220-240V~ 50Hz			
Rated Wattage	20W			
LED Specs	Shiteon LEDs, Dimmable, 1000 lumens Colour shifting 3000K, 4000K, 5000K,			
Dimmer Information	Highly Recommended Dimmers	Lucci Power SKU# 290989, 290992, 290993, 290994, Lucci Connect SKU# 299043, BUSTER+ PUNCH: DIM-002		
	Compatible Dimmers	Lucci LEDlux SKU# 290997, 290998, Clipsal 31E2RUDM, 32E450TM, 32E450UDM, 31E2PUDM, 32ELEDM, PDL354RDMLD-VW LUMEX Load Smart LT1D450LS; DIGINET LED Smart MEDM, HPM Cat. 400T.		
Weight	0.8 kg			
Dimensions	H:37mm W:600mm E:84mm			