

KINGS DIMMABLE LED WALL BRACKET

SKU# 190708,190709, 190710, 190711

Rated Voltage 220-240V~ 50Hz

Thank you for purchasing this quality Lucci product. To ensure correct function and safety, please read and follow all instructions carefully before assembly, installation and use. Please keep instructions for future reference.

Warranty

- This light fitting is covered by 3 year warranty. The warranty is from the date of purchase, not the date of installation. Please retain proof of purchase and evidence of installation by a licensed electrician.
- Warranty will be void if there is any damage due to improper usage or modification to the fitting.
- The use of non-tested dimmers may damage your LED light fitting and will void the warranty.
- Failure to comply with the instructions in this manual may increase the risk of damage or injury and will void warranty.

Installation requirements

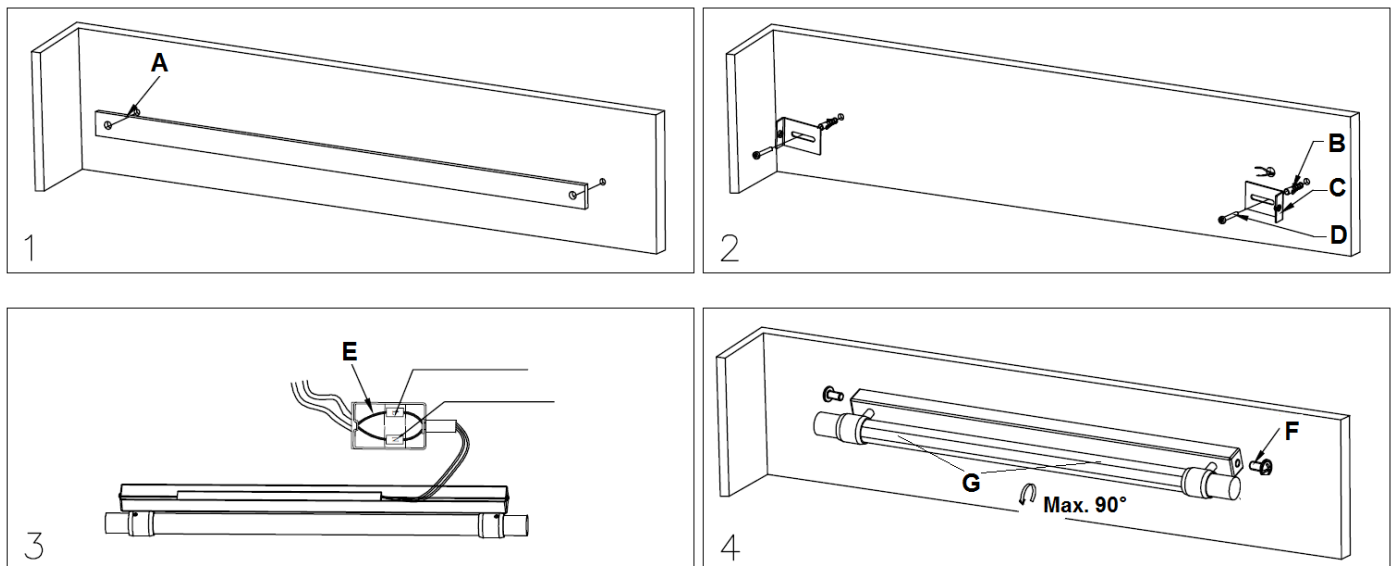
- Must be installed by a licensed electrician.
- All wiring and installation of the light fitting must adhere to local and national wiring rules. eg. AS/NZS 3000:2007/Amendment 2:2012 Electrical installations.
- Select a suitable location for installation;
 - This product is suitable for indoor use only.
 - The mounting point must support 2 times the weight of the fitting.
 - Ensure the fitting is not installed next to any air vent system.
 - When installing a fitting in an area prone to moisture, ensure that the area is well ventilated and an appropriately rated exhaust fan is used if required. Damage or corrosion caused by moisture is not a product fault, and as such is not covered under warranty.
- This fitting is dimmable and has been tested at the date of publication with the dimmers listed in the specification section. The use of a LED dimmers such as the Lucci LEDlux SKU# 290998 or 290997 is highly recommended.
NOTE: For the best dimming range, use with the Lucci LEDlux SKU# 290998 dimmer and adjust the variable resistor at minimum and maximum dimming positions on the dimmer during the installation.
NOTE: Dimming may cause buzzing sounds or a slight flicker. There may be slight delays with the LED light start up or slight uneven light performance when more than one LED light fitting is linked together, switched ON or dimmed. This is not a product fault and as such is not covered under warranty.
NOTE: Some dimmers have a minimum load of 20W. Ensure the dimmer position is on the maximum setting before turning on the LED light and adjust the dimmer down to your desired light level.
- Take care not to pull any electrical wires during unpacking as this may damage the connection.
- Lay out all the components on a smooth surface and ensure there are no components missing before assembling. If parts are missing, return the complete product to the place of purchase for inspection or replacement.
- Check whether the fitting has been damaged during transport. Do not operate/install any product which appears damaged in any way. Return the complete product to the place of purchase for inspection, repair or replacement.
- Ensure power to the circuit you are working on has been switched OFF.

Installation directions

1. Remove all packaging material from the product and be careful not to throw away accessories that may be hidden within the packaging material.
2. Use the cardboard template (A) to mark the screw positions on the wall and drill the holes. Fig. 1
3. Install the mounting brackets (C) onto the wall by using appropriately sized mounting screws (D) and anchors (B). Ensure the screws (D) and anchors (B) used are suitable for the mounting surface. Fig. 2
4. Connect the mains supply wire to the light fitting using the terminal block (E) provided. Ensure that the wires are secure and no bare wires are exposed. Fig. 3

Mains Supply Wire	Fitting Wire	Wiring label
Neutral – Blue or Black	Blue	N -Neutral
Live – Brown or Red	Brown	L- Live

5. Place the terminal block (E) back into the fitting. Attach the lamp base onto the mounting brackets (C) and secure it by tightening the screws (F). Fig. 4
 6. To adjust lighting angle, grab and carefully rotate the fitting (G). Fig.4
- NOTE:** When adjusting the angle, do not bend more than 90° as this may damage the internal wires.
- NOTE:** To prevent any damage to the wiring, ensure the wires are placed neatly in the light fitting.



Safety tips

- Always ensure the power is OFF and the fitting has cooled down before performing any maintenance, cleaning, or adjustment to the fitting.
- To avoid injury or damage to the fitting, ensure that power leads and screws are secure before connecting the power.
- Select a suitable location away from liquids and hazards.
- Ensure that the fitting does not come in contact with corrosive chemicals, etc.
- To clean, wipe with a damp clean cloth. Never soak the fitting with water.

Specifications

SKU #	190708	190709	190710	190711
Colour	BLACK	WHITE	BLACK	WHITE
Rated Voltage	220-240V~ 50Hz			
Insulation Class	CLASS II			
Rated Wattage	13W		20W	
LEDs	EDISON, 3000K, 700 lumens		EDISON, 3000K, 1000 lumens	
Weight	0.88kg		1.25kg	
Dimensions	W:600mm E:84mm H:37mm		W:900mm E:84mm H:37mm	
Dimmer Information	Highly Recommended Dimmers		Compatible Dimmers	
	Lucci LEDlux SKU# 290998, 290997		LUMEX Load Smart LT1D450LS; DIGINET LED Smart MEDM; Clipsal 31E2RUDM, 32E450TM, 32E450UDM, 31EPUDM and 32ELEDM; HPM: Cat. 400T	