

LEDLUX REFLECTION CURVED CCT WALL LIGHT

SKU# 190781, 190782

Rated Voltage 220-240V~ 50Hz

Thank you for purchasing this quality Lucci product. To ensure correct function and safety, please read and follow all instructions carefully before assembly, installation and use of this luminaire. Please keep instructions for future reference.

Warranty

- This luminaire is covered by a 3-year warranty. The warranty is from date of purchase, not the date of installation.
- If the luminaire is not assembled and installed by a licensed electrician, it will void the warranty.
- Please retain the proof of purchase and evidence of installation by a licensed electrician for any warranty enquiries.
- This luminaire has a built-in dimmer switch, do not install on a circuit which has a dimmer switch. Warranty will be void if the luminaire is used on the same circuit which has a dimmer switch.
- Warranty will be void if there is any damage due to improper usage or modification to the luminaire.
- Failure to comply with the instructions in this manual may increase the risk of damage or injury and will void the warranty.

Installation Requirements

- Must be assembled and installed by a licensed electrician.
- All wiring and installation of the luminaire must adhere to the latest local and national wiring rules. E.g. AS/NZS 3000 Electrical installations.
- This luminaire is a Class II product and must be maintained during wiring and installation.
- This luminaire is rated IP44; this must be maintained during wiring and installation.
- Select a suitable location for installation:
 - This product is suitable for indoor use only.
 - The mounting point must be able to support 2 times the weight of the luminaire.
 - This luminaire is protected against water penetration to IP44 standards, which is water splashing from any direction.
- Take care not to pull any electrical wires during unpacking as this may damage the connection.
- Lay out all the components on a smooth surface and make sure no components are missing before assembling. If parts are missing, return the complete product to the place of purchase for inspection or replacement.
- Check whether the luminaire has been damaged during transport. Do not operate/install any product which appears damaged in any way. Return the complete product to the place of purchase for inspection, repair or replacement.
- Ensure power to the circuit you are working on has been switched OFF before commencing any electrical work.
- The light source contained in this luminaire shall only be replaced by the manufacturer or his service agent or a similar qualified person..

Installation Directions

1. Remove all packaging material from the product and be careful not to throw away accessories that may be hidden within the packaging material. If assembly is required, place the luminaire on a smooth non-scratch surface.
2. Remove the mounting bracket from the luminaire by loosening the screws.
3. Select the installation direction of the luminaire. (Horizontal or Vertical).
4. Use the paper template supplied to mark the screw positions on the wall. (Fig.1).
5. Install the mounting brackets onto the wall by using appropriately sized mounting screws and anchors. Ensure the screws and anchors used are suitable for the mounting surface and the surrounding environment. (Fig. 2)
6. Remove the cover from the junction box by loosening the 4 screws. (Fig. 3)
7. Connect the mains supply wire to the terminal block. Ensure that the wires are secure and no bare wires are exposed.

Mains Supply Wire

Neutral – Blue

Live – Brown

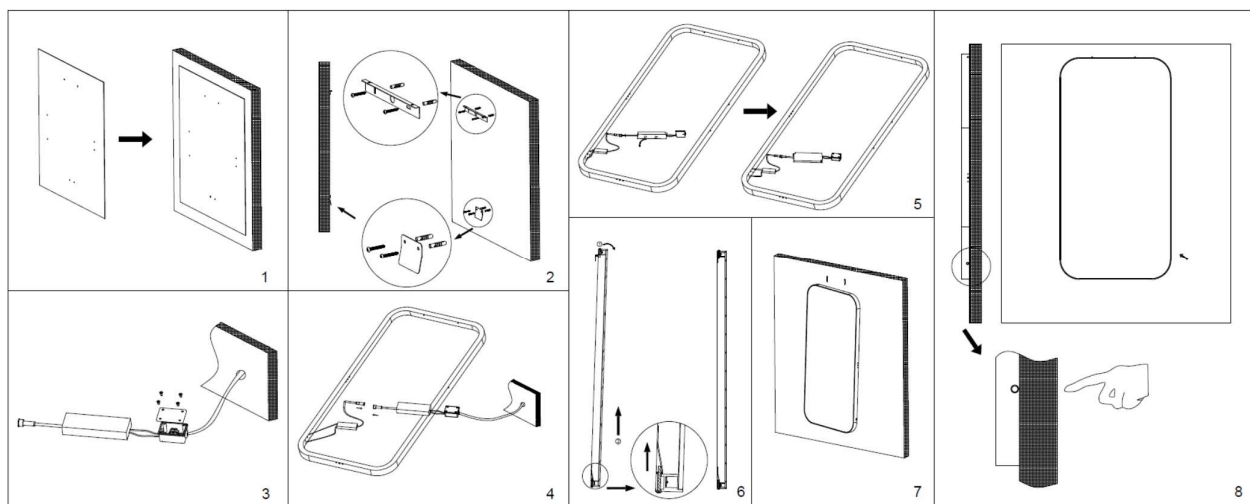
Luminaire Wire / Terminal block

Blue or N

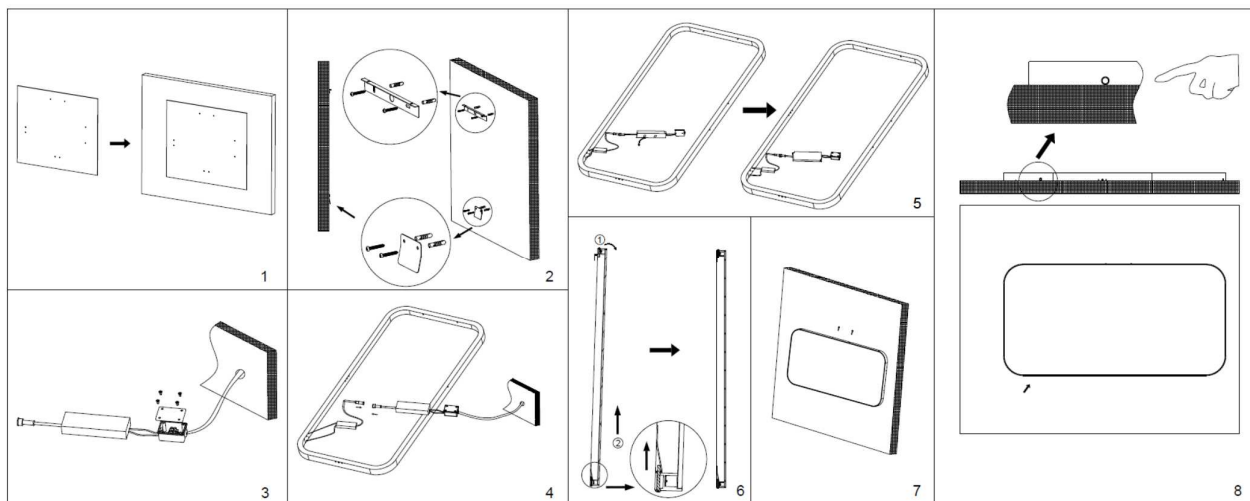
Brown or L

8. Reinstall the cover back onto the junction box.
9. Connect the driver output connector to the luminaire input connector. (Fig. 4)
10. Fix the driver and junction box to the back of the luminaire. (Fig. 5)
11. Attach the luminaire to the upper mounting bracket and make sure the screw on the bottom frame is inserted into the lower mounting bracket. (Fig.6) Please make sure there is 1cm space beneath the bottom frame for installing the luminaire.
12. Install the luminaire onto the upper mounting bracket by securing the 2 screws. (Fig. 7)
13. This luminaire has a colour switching function (3500K, 4000K, 5000K) which is controlled by the touch switch. Press the touch switch 4 times. The luminaire will light up in following order: OFF→ON (3500K)→ON(4000K)→ON(5000K)→ OFF. (Fig. 8)
14. Press and hold the touch switch on the side of the luminaire to access the light dimming function when the luminaire is ON. (Fig. 8)

VERTICAL INSTALLATION



HORIZONTAL INSTALLATION



Safety Tips

- Always ensure the power is OFF and the luminaire has cooled down before performing any maintenance, cleaning or making any adjustment to the luminaire.
- To avoid injury or damage to the luminaire, ensure that power leads and screws are secure before connecting the power.
- Select a suitable location away from liquids and hazards.
- The light source contained in this luminaire shall only be replaced by the manufacturer or his service agent or a similarly qualified person.
- Ensure that the luminaire does not come in contact with corrosive chemicals/solvents or abrasive cleaners etc.
- To clean, wipe with a damp clean cloth. Do NOT soak or immerse the luminaire in water or other liquids.

Specification

SKU #	190781	190782
Colour	Black	Brass
Insulation Class	Class II	
Rated Voltage	220-240V~ 50Hz	
Rated Wattage	28W	
LED Specs	3500K - 4000K - 5000K; 280 Lumens; CRI >90	
Weight	6.5kg	
Dimensions	H:900mm x W:450mm x E:30mm	
IP Rating	IP44	