

CONTOUR LED OVAL MIRROR

SKU# 190831

Rated Voltage 220-240V~ 50Hz

To ensure correct function and safety, please read and follow all instructions carefully before assembly, installation and use of this product. Please keep instructions for future reference

Warranty

- This luminaire is covered by a 3 year warranty. The warranty is from date of purchase, not the date of installation.
- If the luminaire is not assembled and installed by a licensed electrician, the warranty will be void.
- Please retain proof of purchase and evidence of installation by a licensed electrician for any warranty enquiries.
- The use of non-compatible dimmers may damage your LED luminaire and will void your warranty.
- Warranty will be void if there is any damage due to improper usage or modification to the luminaire.
- Failure to comply with the instructions in this manual may increase the risk of damage or injury and will void warranty.

Installation Requirements

- This luminaire must be assembled and installed by a licensed electrician.
- All wiring and installation of the luminaire must adhere to the latest local and national wiring rules. eg. AS/NZS 3000 Electrical installations.
- This luminaire is a Class II product and must be maintained during wiring and installation.

NOTE: Ensure the mains supply wire connection to the terminal block is double insulated

- The colour temperature selection **MUST** be made by the licensed electrician during the installation of the luminaire.

NOTE: The colour temperature switch can only be accessed by a licensed electrician, which is located inside the luminaire.

- This luminaire is rated IP44, this must be maintained during wiring and installation.
- Select a suitable location for installation:
 - This product is suitable for indoor use only.
 - The mounting point must be able to support 2 times the weight of the luminaire.
 - This luminaire is protected against water penetration to IP44 standards, which is water splashing from any direction.
- The colour shifting function is designed to operate with a mechanical or relay ON/OFF switch, as well as selected semi-conductor ON/OFF switches, such as MFL Artisan or Lucci Power Dimmers with ON/OFF functionality.

NOTE: The colour shifting function may not operate correctly on all semi-conductor switches.

- The use of a LED dimmer is strongly recommended. Please see **Highly Recommended Dimmers** section of the Specifications on Page 4 for a list of SKUs that have been specifically designed & tested for use with this luminaire.

NOTE: Dimming may cause buzzing sounds or a slight flicker. There may be slight delays with the LED luminaire start-up or uneven light performance when more than one LED luminaire is linked together, switched ON or dimmed. This is not a product fault and as such is not covered under warranty.

NOTE: Some dimmers have a minimum load of 20W. Ensure the dimmer position is on the maximum setting before turning on the LED light and adjust the dimmer down to your desired light level.

NOTE: Testing cannot account for installation variables such as variation in the mains supply voltage, cable capacitance, electrical noise, transients, surges and ripple control signals (commonly found in NSW & QLD).

NOTE: The information provided is correct to the best of Beacon Lighting's knowledge at the date of publication.

- Take care not to pull any electrical wires during unpacking as this may damage the connection.
- Lay out all the components on a smooth surface and make sure there are no components missing before assembling. If parts are missing, return the complete product to the place of purchase for inspection or replacement.
- Check whether the luminaire has been damaged during transport. Do not operate/install any product which appears damaged in any way. Return the complete product to the place of purchase for inspection, repair or replacement.
- Ensure power to the circuit you are working on has been switched OFF before commencing any electrical work.

Installation Directions

1. Remove all packaging material from the product and be careful not to throw away accessories that may be hidden within the packaging material. If assembly is required, place the luminaire on a smooth non-scratch surface.
2. Remove the upper mounting bracket from the luminaire by loosening the screws.
3. Use the paper template supplied to mark the mounting bracket screw hole positions on the wall. (Fig.1).

NOTE: This luminaire can be installed vertically or horizontally, refer to the relevant IM picture below.

NOTE: Please make sure there is 5cm space beneath the bottom mounting bracket to allow for installation.

4. Install the mounting brackets onto the wall by using appropriately sized mounting screws and anchors. Ensure the screws and anchors used are suitable for the mounting surface and the surrounding environment. (Fig. 2)
5. Remove the cover from the junction box by loosening the 4 screws. (Fig. 3)
6. Connect the main supply wire to the terminal block.

Mains Supply Wire

Neutral – Blue or Black

Live – Brown or Red

Luminaire Wire / Terminal Block

Blue or N

Brown or L

NOTE: Ensure the wires are secure and no bare wires are exposed.

NOTE: This luminaire is a Class II product and must be maintained during wiring and installation.

NOTE: Ensure the mains supply wire connection to the terminal block is double insulated.

7. Reinstall the cover back onto the junction box and secure by tightening the 4 screws.
8. Connect the driver output quick connector to the white switch box. (Fig. 4)
9. The colour temperature of this luminaire can be pre-set OR operated via the connected wall light switch. (Fig. 4)

NOTE: The colour temperature selection MUST be made during the installation, as the colour temperature switch can only be accessed by a licensed electrician, which is located inside the white switch box at the back of the luminaire.

PRE-SETTING THE COLOUR TEMPERATURE OF THE LUMINAIRE:

Carefully pull the colour temperature switch out from the white switch box.

Pre-set the colour temperature of the luminaire, select your desired colour temperature (3000K – 4000K – 5000K) marked on the switch. (Fig. 4)

NOTE: The luminaire must be turned OFF before using the colour temperature switch to change the colour temperature. If the luminaire is not turned OFF, it may damage the LED driver.

Carefully insert the colour temperature switch back into the white switch box and ensure the end is fully sealed to maintain the IP44 rating.

COLOUR SWITCHING VIA THE WALL LIGHT SWITCH:

To switch the colour temperature via the connected wall light switch, select WC (Wall Control) on the colour temperature switch. (Fig. 4)

NOTE: If the luminaire is installed with a dimmer, it is recommended to turn the dimmer to the highest position before adjusting the colour temperature via the wall light switch.

- To operate the colour shifting function, use the connected mechanical or relay ON/OFF wall light switch.
- While the luminaire is on, toggle the wall light switch OFF and ON again within 3 seconds.
The colour shifting sequence will jump from 3000K – 5000K – 4000K.
- For the colour shifting to memorise the colour temperature, leave the wall switch OFF for over 7 seconds.
- To reset the colour temperature, toggle the wall switch OFF and ON twice within 1 second. Repeat if it doesn't reset.

NOTE: If using an MFL Artisan or Lucci Power Dimmer, please see the Dimmer Installation Manual for instructions on how to operate the colour shifting functions correctly.

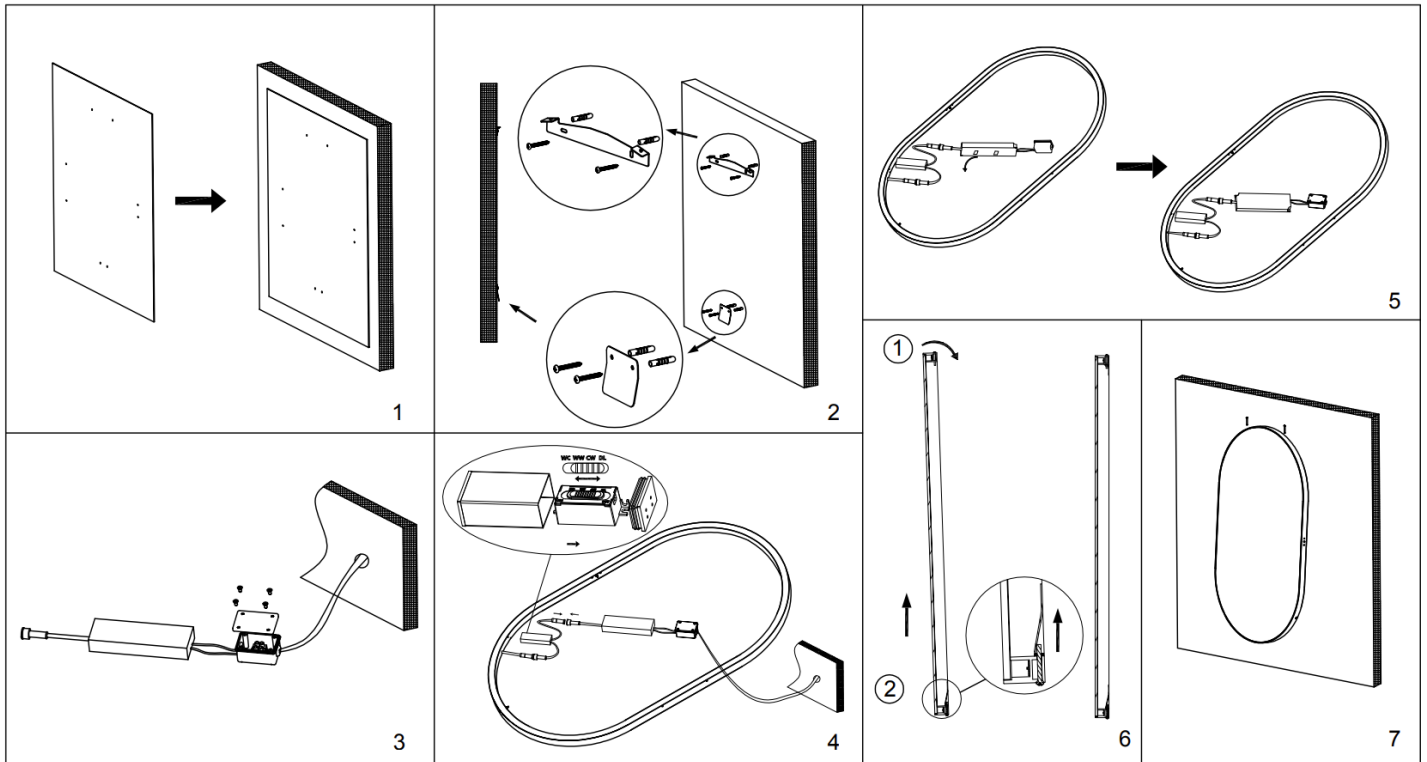
10. Fix the white switch box, LED driver and black terminal box to the back of the luminaire. (Fig. 5)

11. Attach the luminaire to the mounting brackets:

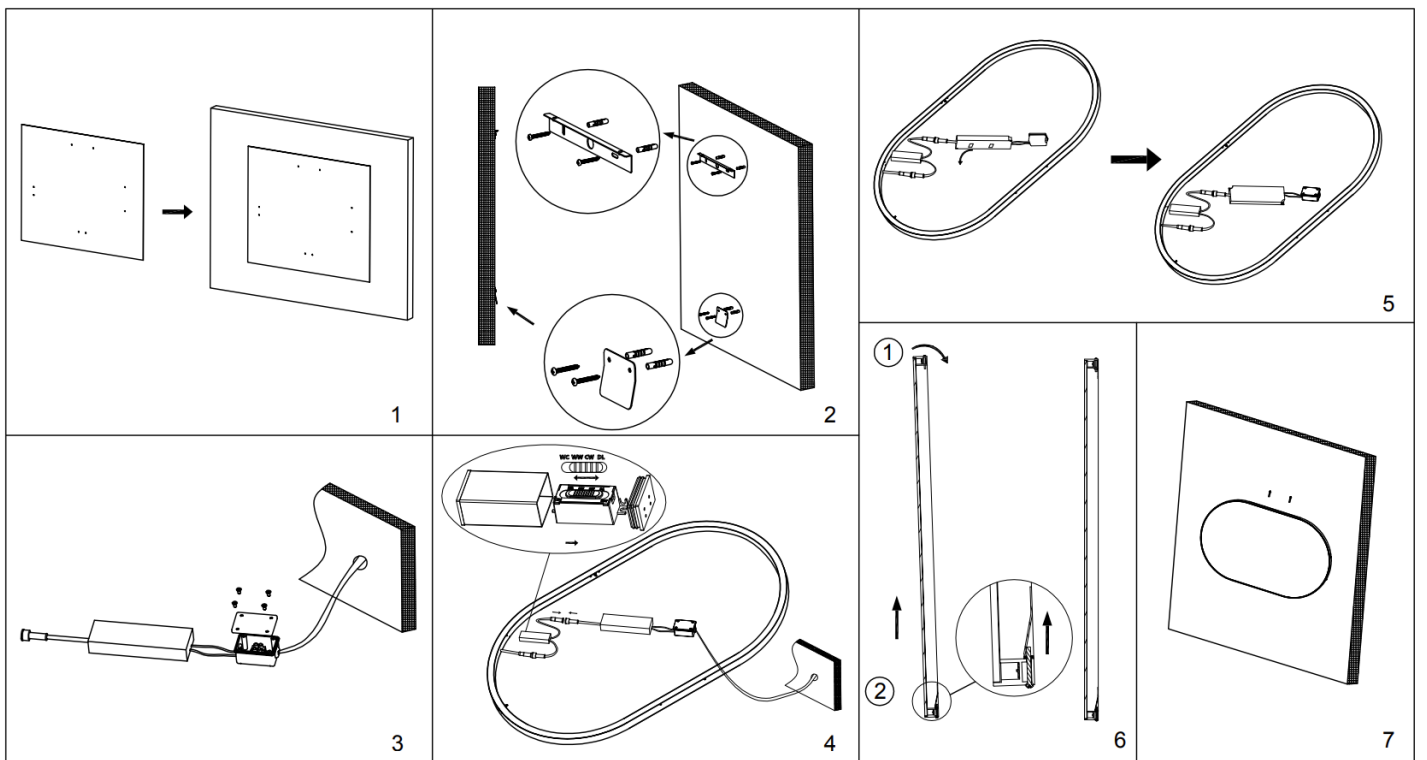
- a. Tilt the top of mirror forward.
- b. Place the bottom edge of the mirror inside the lower mounting bracket and push the mirror upward to secure it.
- c. Push the top of the mirror forward to fit it into the upper mounting bracket.

12. Secure the luminaire onto the upper mounting bracket by installing the 2 screws. (Fig. 7)

Vertical installation



Horizontal Installation



Safety Tips

- Always ensure the power is OFF and the luminaire has cooled down before performing any maintenance, cleaning or making any adjustment to the luminaire.
- To avoid injury or damage to the luminaire, ensure that power leads and screws are secure before connecting the power.
- The light source contained in this luminaire shall only be replaced by the manufacturer or his service agent or a similarly qualified person.
- Ensure that the luminaire does not come in contact with corrosive chemicals/solvents or abrasive cleaners etc.
- To clean, wipe with a damp clean cloth. Do NOT soak or immerse the luminaire in water or other liquids.

Specification

SKU #	190831
Insulation Class	Class II
Rated Voltage	220-240V~ 50Hz
Rated Wattage	24W MAX
LED Specs	Dimmable, Colour Switching LEDs, CRI >95, Flicker Free
Rated Lumens	3000K - 850 lumens 4000K - 900 lumens 5000K - 1000 lumens
Highly Recommended Dimmers	Lucci Power SKU# 290989, 290992, 290993, 290994. MFL Artisan SKU# 197015, 197016, 197017, 197018. Lucci LEDlux SKU# 290997. Lucci Connect SKU# 299043. Buster + Punch DIM-002
Compatible Dimmers	Clipsal 31E2PUDM, 31E2RUDM, 32E450UDM. DIGINET LED Smart MEDM. HPM Cat. 400T.
Weight	8.6kg
Dimensions	W:600mm H:1000mm E:32mm
IP Rating	IP44

* The colour shifting function is designed to operate with a mechanical or relay ON/OFF switch, as well as selected semi-conductor ON/OFF switches, such as MFL Artisan or Lucci Power Dimmers with ON/OFF functionality outlined above. Please note the colour shifting function may not operate correctly on all semi-conductor switches.