

ARTISAN LED PENDANT

SKU# 197031, 197032, 197033, 197036, 197037

Rated Voltage 220-240V~ 50Hz

NOTE: The Artisan shade is sold separately.

This luminaire is rated IP44 only after a compatible Artisan shade & washers have been fully installed.

Thank you for purchasing this quality MFL product. To ensure correct function and safety, please read and follow all instructions carefully before assembly, installation and use of this luminaire. Please keep instructions for future reference.

Warranty

- This luminaire is covered by a 3-year warranty. The warranty is from date of purchase, not the date of installation.
- If the luminaire is not assembled and installed by a licensed electrician, the warranty will be void.
- Please retain the proof of purchase and evidence of installation by a licensed electrician for any warranty enquiries.
- The use of non-compatible dimmers may damage your LED luminaire and will void your warranty.
- Warranty will be void if there is any damage due to improper usage or modification to the luminaire.
- Failure to comply with the instructions in this manual may increase the risk of damage or injury and will void the warranty.

Installation Requirements

- This luminaire must be assembled and installed by a licensed electrician.
- All wiring and installation of the luminaire must adhere to the latest local and national wiring rules.
E.g. AS/NZS 3000 Electrical Installations.
- The luminaire is a Class I product and must be earthed during wiring and installation.
- This luminaire is rated IP44 only after a compatible Artisan shade (sold separately) & washers have been fully installed.
- The IP44 rating must be maintained during wiring and installation.
- The luminaire must not be used if the protective shield or shade has been cracked or damaged. Replace the protective shield or shade before using the luminaire.
- Select a suitable location for installation:
 - This luminaire is suitable for indoor use only.
 - The mounting point must support 2 times the weight of the luminaire and its compatible shade.
 - This luminaire is rated against water penetration to IP44 standards, which is water splashing from any direction.
- This luminaire is dimmable and was tested with the dimmers listed in the specification section at the date of publication.
- The use of a LED dimmer such as the Lucci LEDlux SKU# 290998, or SKU# 290997, or SKU# 299043, or SKU# 290989/290993 or SKU# 290993/290994 or Buster + Punch DIM-002, dimmer is highly recommended.

NOTE: For the best dimming range, use the Lucci LEDlux SKU# 290998 dimmer and adjust the variable resistor at the minimum and maximum dimming positions on the dimmer during the installation.

NOTE: Dimming may cause buzzing sounds or a slight flicker. There may be slight delays with the LED luminaire start-up or uneven light performance when more than one LED luminaire is linked together, switched ON or dimmed. This is not a product fault and as such is not covered under warranty.

NOTE: Some dimmers have a minimum load of 20W. Ensure the dimmer position is on the maximum setting before turning on the LED light and adjust the dimmer down to your desired light level.

NOTE: Testing cannot account for installation variables such as variation in mains supply voltage, cable capacitance, electrical noise, transients, surges and ripple control signals (commonly found in NSW & QLD).

NOTE: The information provided is correct to the best of Beacon Lighting's knowledge at the date of publication.

- Take care not to pull any electrical wires during unpacking as this may damage the connection.
- Lay out all the components on a smooth surface and make sure no components are missing before assembling. If parts are missing, return the complete product to the place of purchase for inspection or replacement.
- Check whether the luminaire has been damaged during transport. Do not operate/install any product which appears damaged in any way. Return the complete product to the place of purchase for inspection, repair or replacement.
- Ensure power to the circuit you are working on has been switched OFF before commencing any electrical work.

Installation Directions

1. Ensure power to the circuit you are working on has been switched OFF before commencing any electrical work.
2. Remove all packaging material from the product and be careful not to throw away accessories that may be hidden within the packaging material. To help with assembly, place the luminaire on a smooth non-scratch surface.
3. Remove the mounting bracket (B) from the canopy (E) by loosening the grub screws with the Allen key (G) provided.
4. Use the mounting bracket (B) as a template to mark the screw positions on the ceiling.
5. Install the mounting bracket (B) onto the ceiling by using appropriately sized mounting screws (D) and anchors (A). Ensure the screws (D) and anchors (A) used are suitable for the mounting surface and the surrounding environment.

NOTE: Ensure the rubber washers (C) are used to install the mounting bracket to maintain the IP rating.


NOTE: A non-corrosive bead of silicone MUST be applied before installation onto the ceiling ensuring that no water can run down into the cabling.

6. Determine the suspension length required for your installation location. Install the required lengths of suspension rod (H, I, J) onto the body (L) of the luminaire. Pull the cord (K) out as you install the suspension rods (H, I, J) to remove any slack. Take care, not to cross-thread or twist and damage the cord (K).
7. Install the canopy (E) onto the top suspension rod and ensure it is secure by tightening the threaded rod (F).
8. Connect the mains supply wire to the terminal block inside the canopy (E).

Mains Supply Wire

Earth – Yellow/Green
 Neutral – Blue or Black
 Live – Brown or Red

Luminaire Wire / Terminal block

Yellow/Green or 
 Blue or N
 Brown or L

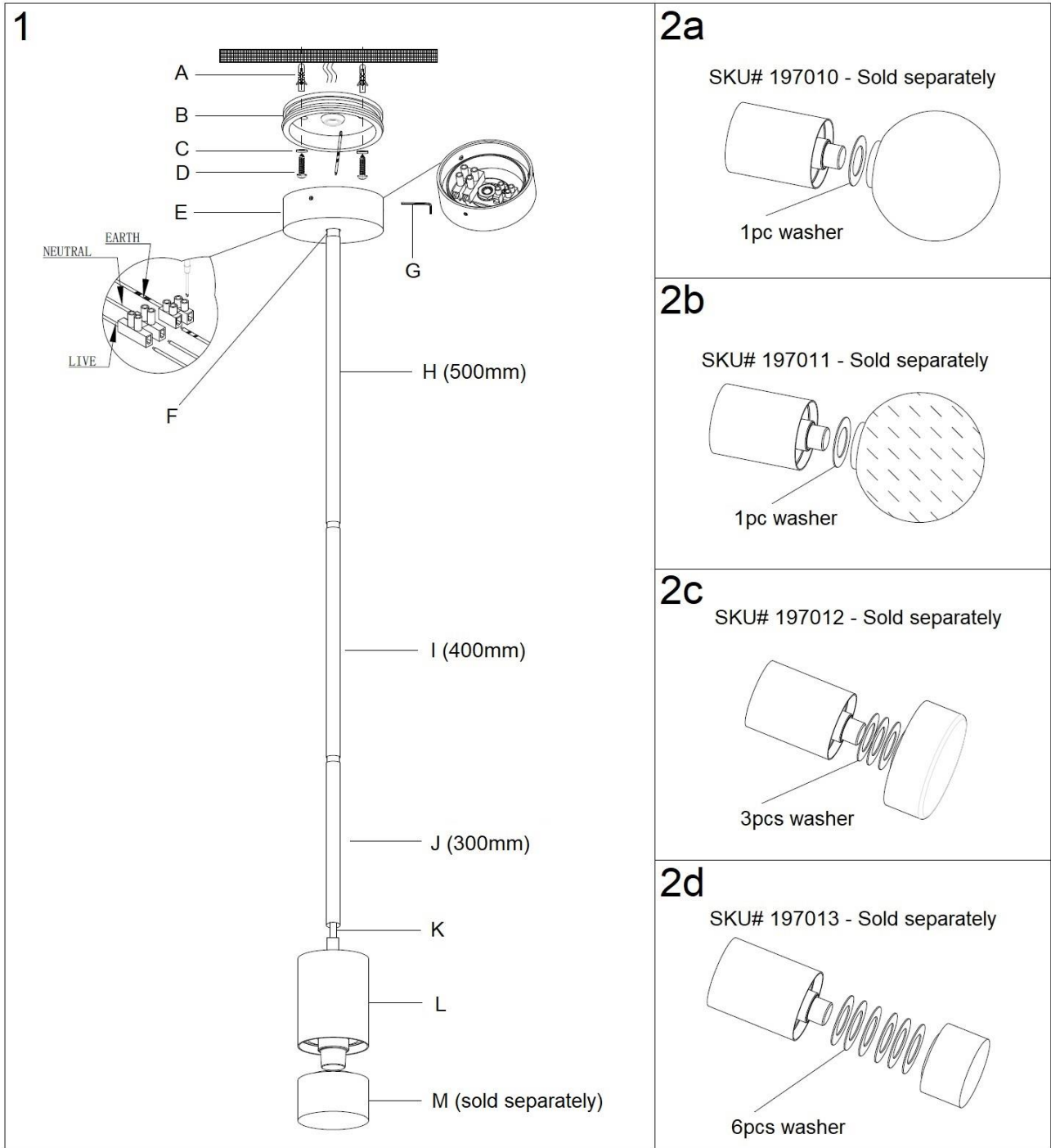
NOTE: Ensure to connect the earth from the mounting bracket to the terminal block.

9. Ensure that the wires are secure, and no bare wires are exposed.
10. Carefully install the luminaire onto the mounting bracket (B), take care not to crush or squash any of the internal wires. Secure by tightening the grub screws on the sides.
11. Install the Artisan shade (M - Sold separately – Compatible with the shades SKU# 197010, 197011, 197012, 197013) & gasket onto the luminaire.

NOTE: Depending on the Artisan shade used, a different number of gaskets are required to maintain the IP rating of this luminaire. (Fig. 2a, 2b, 2c, 2d)

NOTE: Ensure the gasket forms a tight seal around the rim of the shade and luminaire.

12. After the installation, switch on the luminaire to test all the lighting functions and enjoy your new lighting product.



Safety Tips

- Always ensure the power is OFF and the luminaire has cooled down before performing any maintenance, cleaning or making any adjustment to the luminaire.
- The luminaire must not be used if the protective shield or shade has been cracked or damaged. Replace the protective shield or shade before using the luminaire.
- The light source of this luminaire is not replaceable; when the light source reaches its end of life, the whole luminaire shall be replaced. There are no serviceable parts, do not attempt to dismantle or open the product.
- To avoid injury or damage to the luminaire, ensure that power leads and screws are secure before connecting the power.
- Ensure that the luminaire does not come in contact with corrosive chemicals/solvents or abrasive cleaners etc.

- To clean, wipe with a damp clean cloth. Never soak the luminaire with water.

Troubleshooting		
PROBLEM	POSSIBLE CAUSE	SUGGESTED SOLUTION
Does not work. (New installation)	Loose wiring or no power to the luminaire.	Check your circuit breaker/safety switch box and turn on the power to your circuit.
		Contact the installing licensed electrician to check if the luminaire has been installed correctly.
Does not work. (Existing installation)	No power to the luminaire.	Check your circuit breaker/safety switch box and turn on the power to your circuit.
		Contact your nearest Beacon Lighting store.
Flickers when dimming. (New installation)	Non-recommended dimmer used.	Check the dimmer used. Ensure the dimmer used is on the list of recommended dimmers in this manual.
	Some dimmers have a variable loading adjustment function. e.g. Lucci LEDlux SKU# 290998 dimmer. This may not have been adjusted during the installation of the dimmer.	The variable resistor needs to be adjusted to suit the luminaire load to reduce the flickering.
Flickers when dimming. (Existing installation)	Dimmer position on low.	Ensure the dimmer position is on the maximum setting before turning on the luminaire and adjust the dimmer down to your desired light level.
Buzzing sound.	Non-recommended dimmer used.	Check the dimmer used. Ensure the dimmer used is on the list of recommended dimmers in this manual.
Uneven light on start-up	Dimmer position on low when switched on.	Ensure the dimmer position is on the maximum setting before turning on the luminaire and adjust the dimmer down to your desired light level.

Specifications					
SKU #	197031	197032	197033	197036	197037
Colour	Texture Black	Texture White	Brass Finish	Nickel Finish	Bronze Finish
Rated Voltage	220-240V~ 50Hz				
Rated Wattage	12W				
LED Specs	Colour shifting LEDs, Dimmable, CRI>90				
Rated Lumens	3000K – 650 lumens 4000K – 750 lumens 5000K – 700 lumens				
Highly	Highly Recommended Dimmers		Compatible Dimmers		
Highly Recommended Dimmers	Lucci LEDlux SKU# 290998, SKU# 290997, SKU# 299043, SKU# 290989/290992, SKU# 290993/290994. Buster + Punch DIM-002				
Compatible Dimmers	DIGINET LED Smart MEDM; LUMEX LOADSMART LT1D450LS Clipsal DL354RDMLLED-VW, 31E2RUDM, 32E450TM, 32E450UDM, 31E2PUDM and 32ELEDM; HPM Cat. 400T				
Weight	0.8kg (luminaire only)				
Dimensions	H:165mm Dia:85mm Susp:1200mm (luminaire only)				
IP Rating	IP44* *Only after a compatible Artisan shade (sold separately) & washer have been fully installed				
Compatible Shades (Sold separately)	SKU# 197010 (0.2kg), SKU# 197011 (0.6kg), SKU# 197012 (0.2kg), SKU# 197013 (0.1kg).				