

VECTOR LED WALL SCONCE

SKU# 198100, 198101, 198102, 198103, 198104

Rated Voltage 220-240V~ 50Hz

To ensure correct function and safety, please read and follow all instructions carefully before assembly, installation and use of this product. Please keep instructions for future reference.

Warranty

- This luminaire is covered by a 3-year warranty. The warranty is from date of purchase, not the date of installation.
- If the luminaire is not assembled and installed by a licensed electrician, the warranty will be void.
- Please retain the proof of purchase and evidence of installation by a licensed electrician for any warranty enquiries.
- The use of non-compatible dimmers may damage your LED luminaire and will void your warranty.
- Warranty will be void if there is any damage due to improper usage or modification to the luminaire.
- Failure to comply with the instructions in this manual may increase the risk of damage or injury and will void the warranty.

Installation Requirements

- This luminaire must be assembled and installed by a licensed electrician.
- All wiring and installation of the luminaire must adhere to the latest local and national wiring rules. E.g. AS/NZS 3000 Electrical Installations Do not exceed the maximum wattage rating.
- The luminaire is a Class I product and must be earthed during wiring and installation.
- Select a suitable location for installation:
 - This luminaire is suitable for indoor use only.
 - The mounting point must support 2 times the weight of the luminaire.
 - If installing a luminaire in an area prone to moisture, ensure that the area is well ventilated, and an appropriately rated exhaust fan is used if required. Damage or corrosion caused by moisture is not a product fault, and as such is not covered under warranty.
- The **“Scene Change at the Wall Switch”** function is designed to operate with a mechanical or relay ON/OFF switch, as well as selected semi-conductor ON/OFF switches, such as MFL Artisan or Lucci Power Dimmers with ON/OFF functionality. Please note this colour shifting function may not operate correctly on all semi-conductor switches.
- The use of a LED dimmer is strongly recommended. Please see **Highly Recommended Dimmers** Section of the Specifications on Page 5 for a list of SKUs that have been specifically designed & tested for use with this luminaire.
NOTE: Dimming may cause buzzing sounds or a slight flicker. There may be slight delays with the LED light start up or slight uneven light performance when more than one LED light luminaire is linked together, switched ON or dimmed. This is not a product fault and as such is not covered under warranty.
NOTE: Some dimmers have a minimum load of 20W. Ensure the dimmer position is on the maximum setting before turning on the LED light and adjust the dimmer down to your desired light level.
NOTE: Testing cannot account for installation variables such as variation in mains supply voltage, cable capacitance, electrical noise, transients, surges and ripple control signals (commonly found in NSW & QLD).
NOTE: The information provided is correct to the best of Beacon Lighting’s knowledge at the date of publication.
- Take care not to pull any electrical wires during unpacking as this may damage the connection.
- Lay out all the components on a smooth surface and make sure no components are missing before assembling. If parts are missing, return the complete product to the place of purchase for inspection or replacement.
- Check whether the luminaire has been damaged during transport. Do not operate/install any product which appears damaged in any way. Return the complete product to the place of purchase for inspection, repair or replacement.
- Ensure power to the circuit you are working on has been switched OFF before commencing any electrical work.

Installation Directions

1. Remove all packaging material from the product and be careful not to throw away accessories that may be hidden within the packaging material. If assembly is required, place the luminaire on a smooth non-scratch surface.
2. Remove the mounting bracket (B) from the luminaire by loosening the screws (G).
3. Use the mounting bracket (B) as a template to mark the screw positions on the wall.
4. Install the mounting bracket (B) onto the wall by using appropriately sized mounting screws (C) and anchors (A). Ensure the screws and anchors used are suitable for the mounting surface and the surrounding environment.
5. Open the cover on the terminal box and connect the mains supply wires to the terminal block (F), and the earth wire to the separate terminal block (E).

Mains Supply Wire

Earth – Yellow/Green

Neutral – Blue or Black

Live – Brown or Red

Luminaire Wire / Terminal Block

Yellow/Green or 

Blue or N

Brown or L

NOTE: The luminaire is a Class I product and must be earthed during wiring and installation.

6. Ensure the wires are secure and no bare wires are exposed. Firmly close the cover on the terminal box.
7. Install the luminaire onto the mounting bracket (B) and secure by tightening the screws (G).
8. The colour temperature of this luminaire can be pre-set to a desired colour temperature OR operated via the connected wall switch. Use the switch to the side of the luminaire to select your desired colour temperature (3000K/4000K/5000K) or move the switch to the “WC” (*Wall Control*) setting to enable “Scene Change at the Wall Switch” functionality.

NOTE: Before using the switch on the luminaire to select the colour temperature, the luminaire MUST be switched OFF, or it may damage the LED driver.

SCENE CHANGE AT THE WALL SWITCH (3000K – 5000K – 4000K):

- To operate the “Scene Change at the Wall Switch” colour shifting function, use the connected mechanical or relay ON/OFF wall switch.

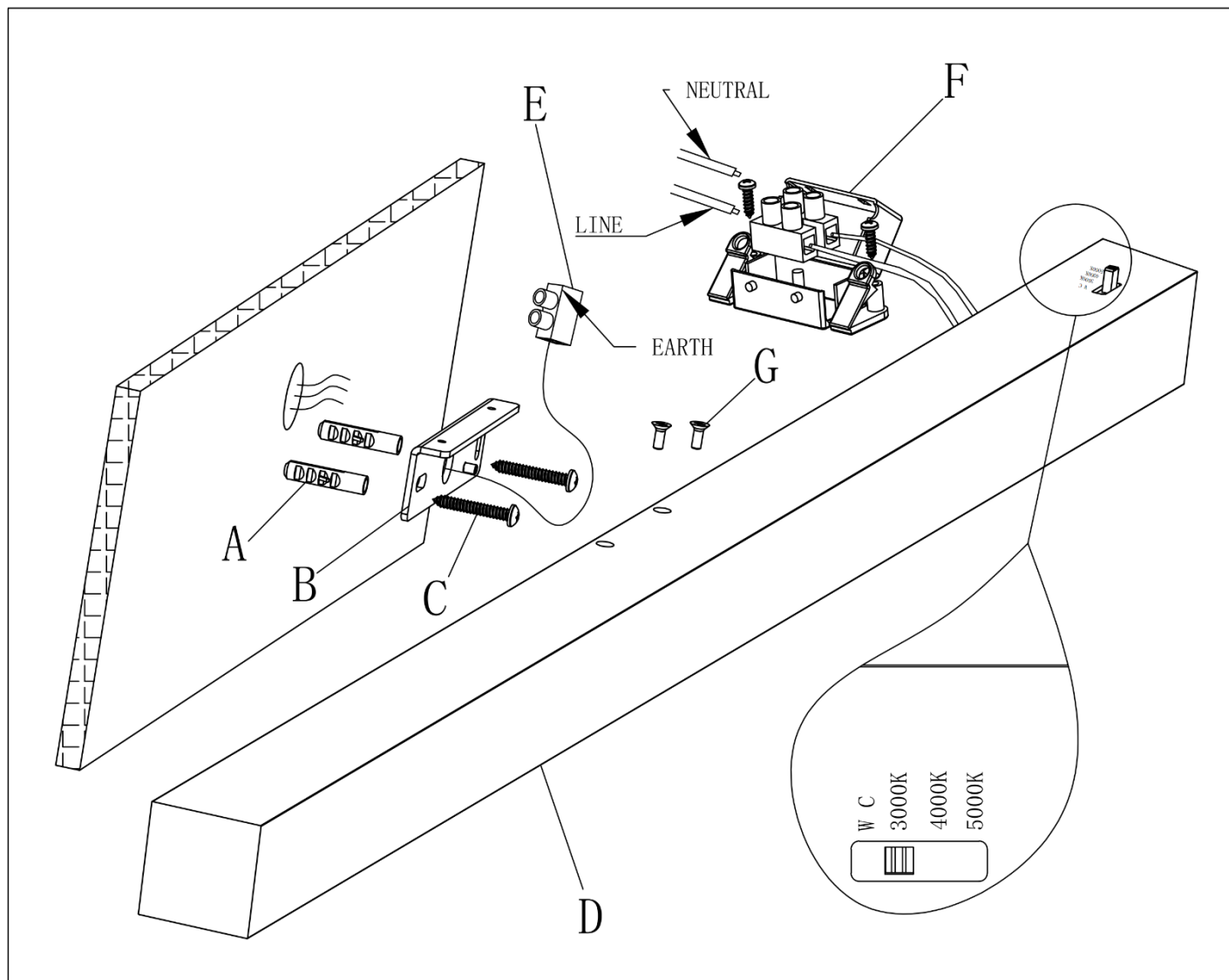
NOTE: The switch on the luminaire must be at the “WC” (*Wall Control*) position.

NOTE: If the luminaire is installed with a dimmer, it is recommended to turn the dimmer to the highest position before adjusting the colour temperature via the wall switch.

- While the luminaire is on, toggle the wall switch OFF and ON again within 3 seconds. The colour shifting sequence will jump from 3000K – 5000K – 4000K.
- For the colour shifting to memorise the colour temperature, leave the wall switch OFF for over 7 seconds.
- To reset the colour temperature, toggle the wall switch OFF and ON twice within 1 second. Repeat if it doesn't reset.

NOTE: If using an MFL Artisan or Lucci Power Dimmer, please see the Dimmer Switch's Installation Manual for instructions on how to operate the colour shifting functions correctly.

9. After the installation is complete, switch on the luminaire and test all colour switching functions operate correctly.



Safety Tips

- Always ensure the power is OFF and the luminaire has cooled down before performing any maintenance, cleaning or making any adjustment to the luminaire.
- To avoid injury or damage to the luminaire, ensure that power leads and screws are secure before connecting the power.
- Select a suitable location away from liquids and hazards.
- To clean, wipe with a soft damp cloth. Do NOT soak or immerse the luminaire in water or other liquids.
- Ensure that the luminaire does not come in contact with corrosive chemicals/solvents or abrasive cleaners etc.
- The light source of this luminaire is not replaceable; when the light source reaches its end of life, the whole luminaire shall be replaced. There are no serviceable parts, do not attempt to dismantle or open the product.

Specifications					
SKU #	198100	198101	198102	198103	198104
Colour	Matte Black	Matte White	Brushed Nickel	Aged Brass Finish	Bronze Finish
Rated Voltage	220-240V~ 50Hz				
Rated Wattage	35W Max.				
LED Specs	Colour switching LEDs*, Dimmable, CRI>90				
Lumens	3000K – 2200 lumens 4000K – 2500 lumens 5000K – 2500 lumens				
Highly Recommended Dimmers	MFL Artisan SKU# 197015, 197016, 197017, 197018. Lucci Power SKU# 290989, 290992, 290993, 290994. Buster + Punch DIM-002				
Compatible Dimmers	Clipsal 31E2RUDM, 32E450UDM. DIGINET LED Smart MEDM. HPM Cat. 400T.				
Weight	1.1kg				
Dimensions	H:42mm W:900mm E:42mm				

***NOTE:** Before using the switch on the luminaire to select the colour temperature, the luminaire **MUST** be switched OFF, or it may damage the LED driver.

***NOTE:** The “Scene Change at the Wall Switch” function is designed to operate with a mechanical or relay ON/OFF switch, as well as selected semi-conductor ON/OFF switches, such as MFL Artisan or Lucci Power Dimmers with ON/OFF functionality outlined above. Please note this colour shifting function may not operate correctly on all semi-conductor switches.