

**USE AND CARE INSTRUCTION  
INSTALLATION INSTRUCTION**

# **Lucci Designer Hi Flow Exhaust Fan**



SKU# 200265&200267 – MXSQ8PW(200mm)  
SKU# 200266&200268 – MXSQ10PW(250mm)

**PLEASE KEEP THIS INSTALLATION INSTRUCTION IN A SAFE PLACE FOR FUTURE REFERENCE**

## Dear Customers,

Thank you for selecting a LUCCI Designer Hi Flow Exhaust Fan. Please read all instructions before commencing installation.

**Important: This Exhaust Fan must be installed to comply with the appropriate local council building regulations, and the Australian and New Zealand wiring rules AS/NZS 3000 latest edition thereof.**

**A LICENSED ELECTRICIAN IS REQUIRED TO INSTALL THIS UNIT TO THE MAINS SUPPLY.**

**CAUTION: The unit must not be installed directly above the shower or bath recesses or enclosures. The unit must not be installed in a position where water may splash onto the unit.**

**PLEASE READ ALL INSTRUCTIONS CAREFULLY BEFORE USING THE PRODUCT.**

**WARNING: to reduce the risk of fire, electrical shock or injury to persons or property:**

1. Always operate the product from a power source of the same voltage, frequency and rating as indicated on the product identification plate.
2. This appliance is not intended for use by persons (including children) with reduced physical, sensory or mental capabilities, or lack of experience and knowledge, unless they have been given supervision or instruction concerning use of the appliance by a person responsible for their safety.  
  
Children should be supervised to ensure that they do not play with the appliance.
3. Do not operate any product with a damaged cord or plug, or after the product malfunctions, or is dropped or appears damaged in any way.
4. This unit is designed for indoor use only.
5. Do not allow any foreign object to enter the grille openings as this may damage the unit and/or harm the user.
6. Do not allow any ceiling insulation to cover any portion of the rear of the appliance.
7. Use this unit only as described in this manual. Any other use not recommended by the manufacturer may cause fire, electric shock, or injury to persons. If you have questions, contact the manufacturer.
8. All wiring must be carried out by a licensed Electrician in accordance with all applicable National / Local codes and standards. Also check with the local council regulations regarding installation of exhaust fans.
9. Make sure that the power is OFF before installation.
10. When cutting into the wall, do not damage electrical wiring and other hidden utilities.
11. The unit must be properly grounded, via a socket outlet with earthing facility.
12. For the purpose of avoiding any dangerous gas leaking into your bathroom, the ducting of the unit must not be laid together with the ducting of air fuelled water heater or other open – fire appliances into the same flue.
13. The unit must be isolated from the power by means of a plug or all-pole disconnection switch with a contact separation of at least 3mm in each pole.
14. The power cable must be rated to a minimum 10A load.

**PLEASE KEEP THIS INSTALLATION INSTRUCTION IN A SAFE PLACE FOR FUTURE REFERENCE**

## IMPORTANT CONSIDERATIONS BEFORE INSTALLING

A few minutes planning can make a big difference to the installation time and also to your satisfaction with the function of the unit.

1. The unit should be mounted outside the shower cubicle.
2. For the exhaust fan to work efficiently, replacement air of a volume equivalent to what is being extracted must be able to enter the room. In general this air would be drawn through a vent in the door, or through an open window. If the room is airtight, the fan will function poorly.
3. This product is designed for installation in flat ceilings ONLY. Do not mount it on a sloping ceiling or a vertical wall.
4. Before commencing any cutting, check in the ceiling space that there are no obstructions such as ceiling joists and that there is sufficient height clearance for the housing. Check that the electrical wiring can be routed from the wall switches to the mounting location.

## INSTALLATION:

1. Use the cut-out dimension provided, and mark the mounting hole on the ceiling considering the below points:
    - a. At least 2.3M above the ground.
    - b. At least 90cm from any hotplate.
    - c. Ensure the power cord will not foul the fan blades.
    - d. Ensure any ceiling insulation or frame does not obstruct the airflow.
    - e. Ease of access to clean the grille and blades regularly.
  2. Locate the mounting position, ensure all requirements (a-d) above are met and prepare the ceiling.
  3. Remove the fascia by unclipping from the exhaust fan body. Prepare the four mounting clips for installation by pushing the four clips to centre the motor, and using a screw driver to move the clip along the thread to the desired position.
- Note:** Please ensure that the unit is between the joists and 250mm from the nearest wall. Refer to Fig. 1
- Note:** You will require a qualified licensed electrician to prepare the wiring and provide a supply socket out-let and a wall switch, if there is not one there already.
4. Make sure that you have minimum clearance in the ceiling space "D" of Fig. 1, to accommodate the exhaust fan and outlet exhaust :  
  
SKU# 200265 and 200267 = 250mm  
SKU# 200266 and 200268 = 250mm
  5. Cut the mounting hole as describe in 1. Plug into the existing main socket outlet or a mains socket prepared by your licenced electrician.
  6. Carefully push the exhaust fan body into the cut out hole, and push the 4 clips out to secure the fan to the ceiling. Using a screw driver to tighten the screw for the clips to fixed the exhaust fan to the ceiling.
  7. Place the mounting clips cover over the clips. See Fig
  8. Replace the fascia. Your installation is now complete.

### Minimum Clearance Distance "D"

SKU# 200265 & 200267 = 250mm

SKU# 200266 & 200268 = 250mm

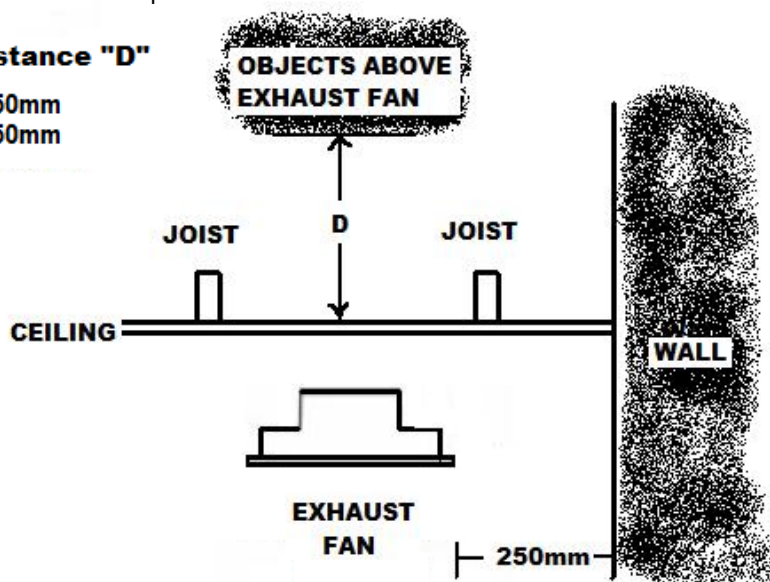
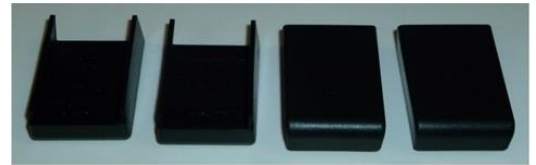
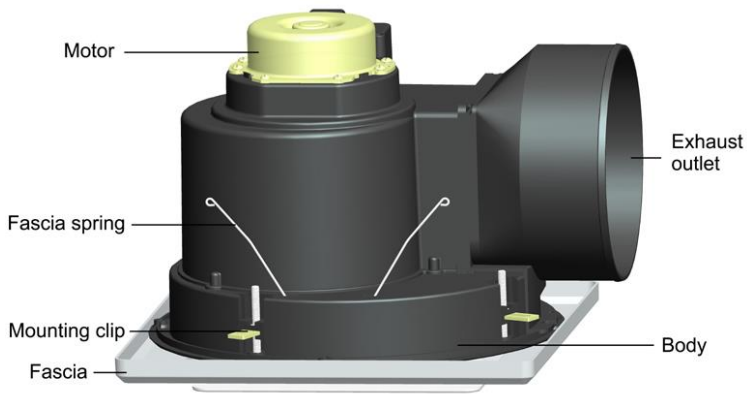


FIG. 1

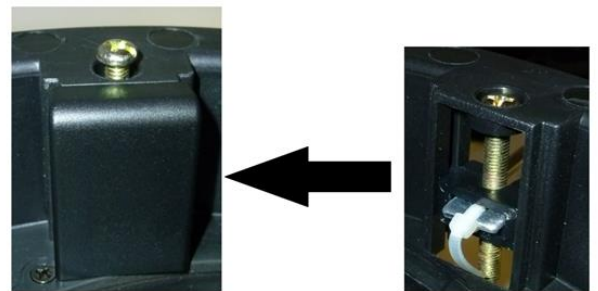
**Description**



Mounting clips covers x 4



Fascia



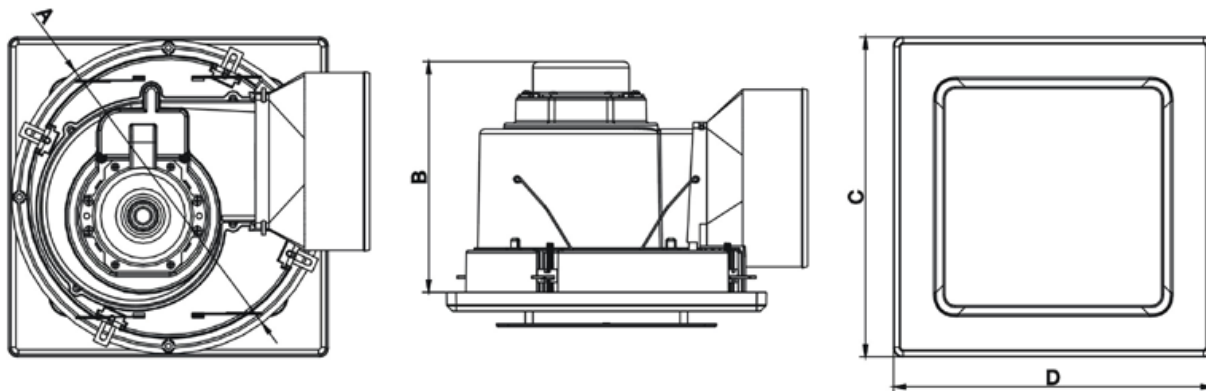
Place mounting clip cover as shown

Note: Picture is for Illustration only. Product may vary due to continuous development.

**DIMENSIONS AND INSTALLATIONS DIMENSIONS**

Model / Dimension	SKU# 200265/200267 (200mm inlet)	SKU# 200266/200268 (250mm inlet)
A	265mm	320mm
B	195mm	195mm
C	270mm	325mm
D	270mm	325mm
Exhaust Outlet diameter	100mm	150mm
Cut- out diameter	240mm	290mm

**PLEASE KEEP THIS INSTALLATION INSTRUCTION IN A SAFE PLACE FOR FUTURE REFERENCE**



## SPECIFICATIONS

Model	Rate Voltage	Rated power	Air flow(m <sup>3</sup> /h)
SKU# 200265 / 200267 MXSQ8PW (200mm)	220-240V ac	32W	270
SKU# 200266 / 200268 MXSQ10PW (250mm)	220-240V ac	35W	320

## CARE INSTRUCTIONS

Dust will build up in the unit, this may be cleaned by:

1. Ensuring the unit is turned off at the switch first and is isolated from the power supply
2. Wipe the outer surface with a damp cloth.
3. Remove the Fascia and wipe the inner surface with a dry cloth or with vacuum cleaner with brush attachment.

## WARRANTY & SERVICE

Lucci Design warrants all of its Exhaust fans against defective workmanship and faulty materials for twelve (12) months from the date of purchase. Lucci Design undertakes, at its option, to repair or replace, free of charge, each product or part thereof on condition that;

1. The exhaust fan or relevant part has not been subjected to misuse, neglect, or been involved in an accident.
2. The repairs are not required as a result of normal wear and tear.
3. The product was installed as outlined in this installation manual.
4. A copy of the original receipt of purchase is presented.
5. 12 month warranty applies when used in any non-domestic applications.
6. This warranty does not cover stains, scratch and scuff marks, or dents if the product is purchased through factory outlet or refurbished items.

This is a replacement warranty and requires the faulty Exhaust Fan returned to the retail outlet, where purchased, along with proof of purchase for a replacement.

Our goods come with guarantees that cannot be excluded under the Australian Consumer Law. You are entitled to a replacement or refund for a major failure and compensation for any other reasonably foreseeable loss or damage. You are also entitled to have the goods repaired or replaced if the goods fail to be of acceptable quality and the failure does not amount to a major failure.

Your Exhaust Fan can only be serviced by a qualified electrician. Do not attempt to repair your Exhaust Fan as this will compromise your safety, and the construction of your Exhaust Fan. Your Exhaust Fan does not have any re-useable parts. Should you require disposal of your Exhaust Fan, please contact your local council for proper disposal.

**PLEASE KEEP THIS INSTALLATION INSTRUCTION IN A SAFE PLACE FOR FUTURE REFERENCE**