

Lucci
air



TEMPAIR MINI 3 IN 1 EXHAUST FAN
SKU# 200293 & 200294

CAUTION

**READ INSTRUCTIONS CAREFULLY FOR SAFE
INSTALLATION AND FAN OPERATION.**

WARRANTY

- This product is covered by a 3-year warranty. The warranty is from date of purchase, not the date of installation.
- If the fitting is not installed by a licensed electrician, the warranty will be void.
- All wiring and installation of the fitting must adhere to the latest local and national wiring rules. Eg. AS/NZS 3000 Electrical installations.
- Please retain the proof of purchase and evidence of installation by a licensed electrician for any warranty enquiries.
- Warranty will be void if there is any damage due to improper usage or modification to the fitting.
- Failure to comply with the instructions in this manual may cause damage or injury and will void the warranty.

GENERAL SAFETY WARNING

1. Use this heater in accordance with the instructions outlined in this manual.
2. Ensure power is turned off before installation.
3. The heater must be properly grounded.
4. Do not touch heat lamps or glass fascia when in use.
5. Do not look directly at the heat lamps during use.
6. Wait for the heater to cool down before cleaning or replacing lamps.
7. Never use the heater without the glass panel or fascia.
8. This appliance is not to be used by persons, including children, with reduced physical, mental or sensory capabilities, or lack of knowledge and understanding, unless they are supervised and or given instruction concerning the use of the appliance by someone responsible for their safety.
9. This appliance is not a toy. Children should be supervised to ensure that they do not play with the appliance.

INSTALLATION WARNINGS

1. This heater must not be installed immediately below a socket outlet.
2. When used in a bathroom, this heater is to be installed so that switches and other controls cannot be touched by a person in the bath or shower.
3. This heater shall, under no circumstances, be covered with an insulating material or similar material.
4. Regulations concerning the discharge of air have to be fulfilled.
5. Joists, beams and rafters shall not be cut or notched to install this heater.
6. Installation is to be no less than 2.1 metres from the floor.
7. The product must be installed in a flat ceiling. Do not install on a sloped ceiling, or vertically.
8. **WARNING:** If unusual oscillating movement is observed, immediately stop using the product and contact the manufacturer, its service agent or suitably qualified persons.
9. Where applicable, precautions must be taken to avoid the back-flow of gases into the room from the open flue of gas or other fuel-burning appliances.
10. The wall switch should not be installed where it can be touched by someone within a bath or shower.
11. Take care not to pull any electrical wires during unpacking as this may damage the connection.
12. Lay out all the components on a smooth surface and make sure no components are missing before assembling. If parts are missing, return the complete product to the place of purchase for inspection or replacement.
13. Check whether the fitting has been damaged during transport. Do not operate/install any product which appears damaged in any way. Return the complete product to the place of purchase for inspection, repair or replacement.

PERFORMANCE NOTES

1. For exhaust fan optimum performance, the volume of air being extracted should be equal to the amount of air entering the room. Air is drawn mostly from under a door, or an open window. If the bathroom or room is airtight (door and windows shut), the exhaust will not perform well.
2. The heat lamps will work most effectively if you are standing directly under the appliance.
3. LED lighting of the appliance is designed to provide directional lighting only. While it may be sufficient for most common tasks, others such as shaving or applying make-up may require additional lighting.

PARTS

Halogen heat lamp (500W lamp)	A
LED luminaire	B
Air inlet	C
Air outlet	D
Ducted fan (100mm inlet & outlet)	E (Fig.1.3)
Duct (4 metres)	F (Fig.1.4)
Wall switch	Not shown
Grille	Not shown

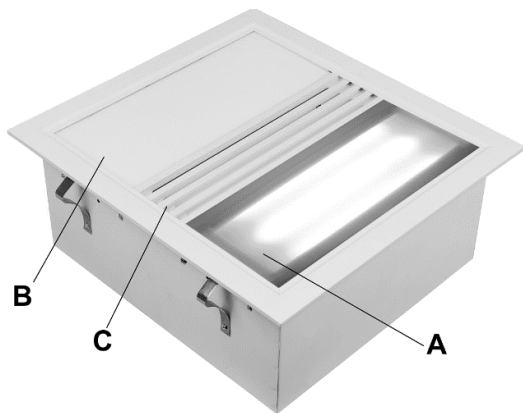


Fig. 1.1 HEATER UNIT



Fig. 1.2 HEATER UNIT



Fig. 1.3



Fig. 1.4

INSTALLATION INSTRUCTIONS

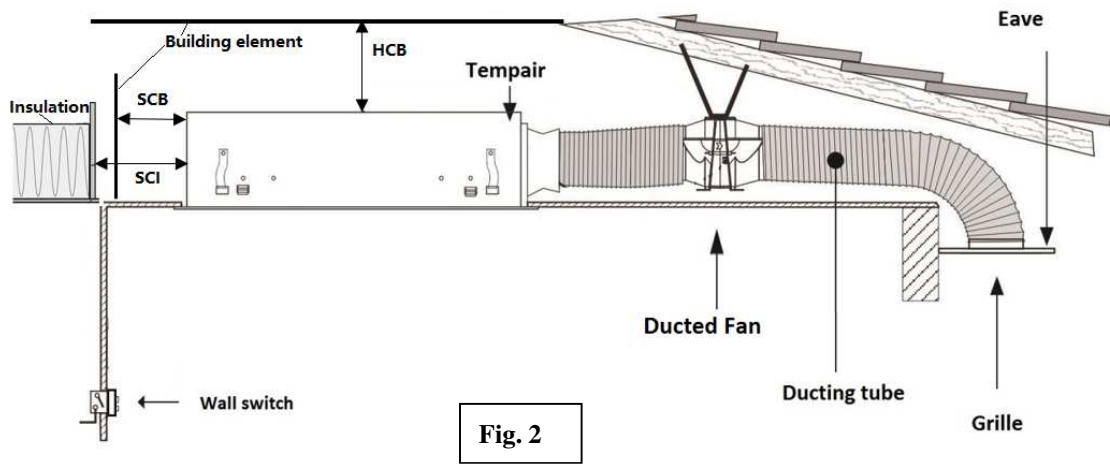


Fig. 2

Clearance requirement	
HCB-Height clearance to building element	200mm
SCB-Side clearance to building element	100mm
SCI-Side clearance to insulation	100mm
The distance between the sides of the heater and the sides and any adjacent ceiling recessed heater shall not be less than four times the minimum distance specified for the distance between the sides of the heater and any building element adjacent to it.	

1. Locate a suitable location in which you wish to install the heater. Note it should not be in an area where the product may come in contact with water such as above a shower or bath. The centre of a room is ideal. (Fig. 3)

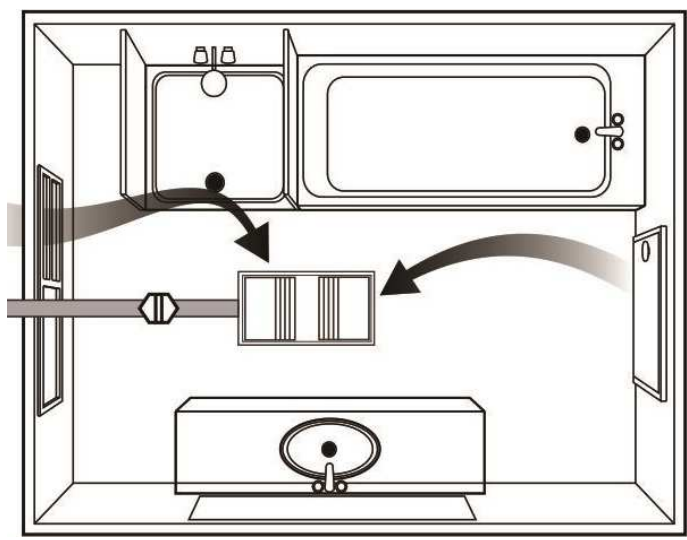
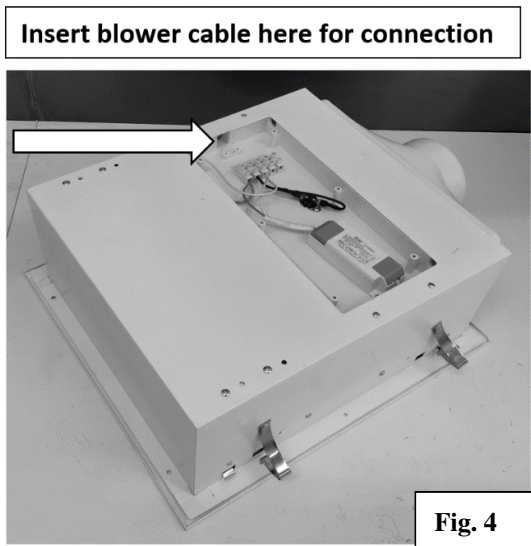


Fig. 3

2. Ensure the appliance is installed, recessed into a ceiling at least 2.1 metres from the floor.
3. Cut a hole in the ceiling according to the cutout template 370mm x 326mm.

4. Locate a suitable position on the ceiling space for the Ducted Fan unit, preferably near the heater unit as shown in the diagram above (Fig. 2 & 3), and the direction of airflow is correct before securing into position.
5. Determine the length of ducting required between the heater unit outlet and ducted fan inlet. 4 meters of ducting are provided. Cut ducting to appropriate length and connect the heater unit and ducted fan. Use tape to secure this duct connection if required.
6. Using the remaining ducting, fit this to the outlet of the ducted fan (note the direction of the airflow) and feed to the outlet of the wall grille. We recommend positioning the grille (Fig.6) on the exterior wall of the building, where routing of the duct can form a straight line between the ducted fan and the grille outlet; this will ensure the best air extraction.
7. Locate the terminal block on the back of the heater unit (under the cover). Connect the supply wires from the Ducted Fan to the terminal block via the hole on the side. Complete this according to the wiring diagram shown in Fig. 5
8. Make the wiring connection of the wall switch supplied to the terminal block on the heater unit, using the wiring diagram shown in Fig. 5, and secure the terminal box cover.



Caution: For your safety - All electrical wiring connections must be performed by a licensed electrician.

WARNING: FOR SAFE USE OF THIS APPLIANCE, MEANS FOR ALL-POLE DISCONNECTION MUST BE INCORPORATED IN THE FIXED WIRING IN ACCORDANCE WITH THE WIRING RULES..

This is a requirement of clause 7.12.2 of the household appliance Standard **AS/NZS 60335.1-2011** or the latest standard* Please note warranty will be void if installed without a mean for all-pole disconnection included in the wiring.

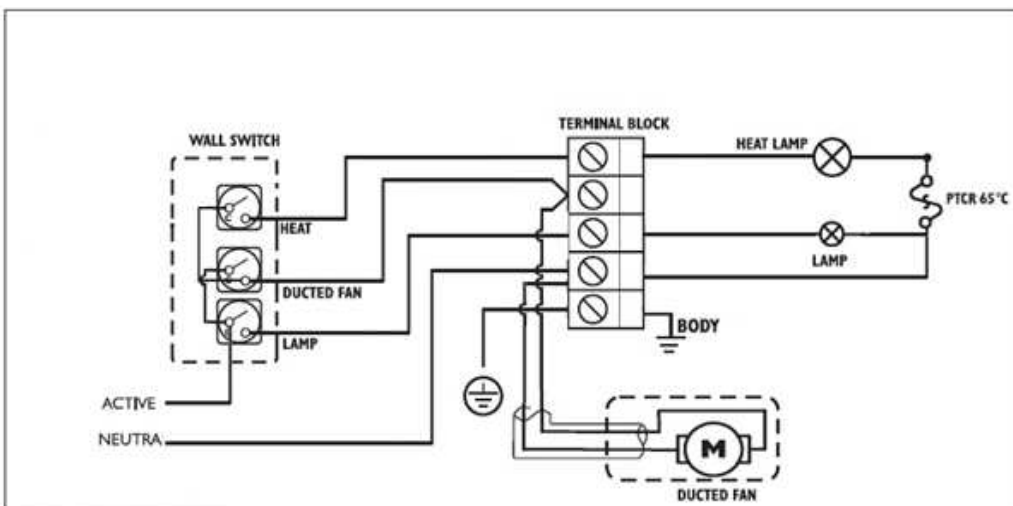


Fig. 5

9. Feed ducting from the blower, in Step 5 through the hole cut into the ceiling in Step 3 and connect to the heater air outlet. Use tape to secure if required. Now the ducting between the heater unit and the ducted fan is complete.
10. Remove the fascia and disconnect power to the LED light by twisting and pulling apart the connectors.
11. Insert the heater unit (without the fascia) into the hole in the ceiling and push up. The 4 metal strip-springs will push in and then push back out to secure onto the heater body, into the cutout in the ceiling. Replace the LED light power connector and the fascia by push up to cover the heat lamps; you will notice a clicking noise at each corner as the fascia is secured. Ensure the LED power connector and wires are not near the heat lamp while replacing fascia.
12. Switch ON to check the function and operation as per described in the “USE AND OPERATION” section are correct.

Installing the grille

1. Cut a 100mm round hole in your wall or eave.

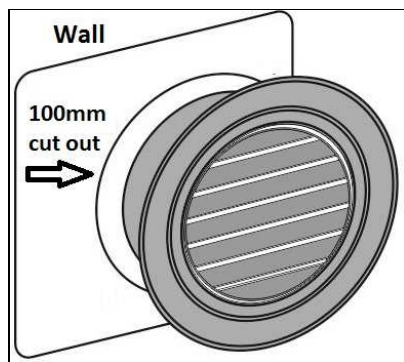


Fig. 6

2. Feed the ducting tube through the hole and connect to the grille. Ensure the connection is secure.
3. Feed the ducting tube back through the wall and into the cavity until the grille sits flush against the wall or eave. Secure.

USE AND OPERATION

Your Mini Tempair 3 in 1 Exhaust fan is controlled by a 3 gang wall control (Fig.7). Each switch turns on and off each function individually as follows:

LED Light
Exhaust Fan
Heat lamp



Fig. 7

NOTE: The Mini Tempair 3 in 1 exhaust fan is equipped with a thermal switch which cuts off the power supply to the heat lamps once the internal air temperature of the unit reaches 65 degrees Celsius. When temperature reduced, the power will be reconnected. Heat lamps can only be switched on when the exhaust fan is operating.

MAINTENANCE

1. Turn off power before cleaning or replacing heat lamp.
2. Ensure the appliance has cooled before touching.
3. The light source of this luminaire is not replaceable; when the light source reaches its end of life, the whole luminaire shall be replaced.
4. Use only warm soapy water and a soft cloth to clean the fascia and glass panel.

Removing/Replacing the Heat Lamp

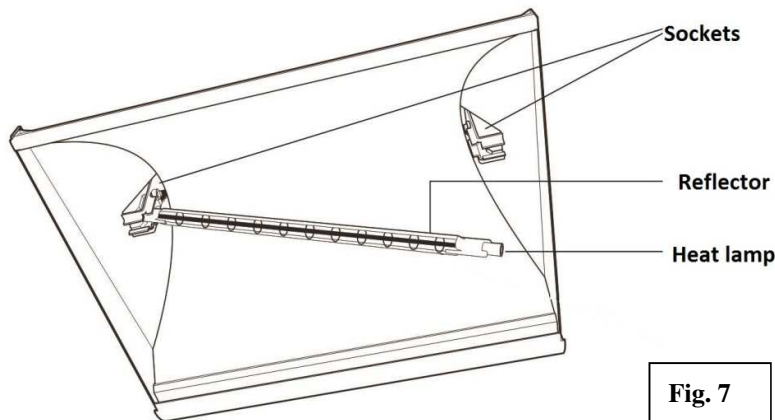


Fig. 7

- 1) Ensure the appliance is switched OFF and cooled down. Then remove the glass fascia.
- 2) Twist and un-plug the LED lamp connector.
- 3) Remove the heat lamp by pushing at one end of the lamp to allow the heat lamp to free, as both ends of the lamp holder secure the lamp via springs.
- 4) Replace the heat lamp. Ensure that the lamp caps are seated correctly in the lamp holder.
- 5) Reconnect the LED lamp connector and replace the glass fascia.

SPECIFICATIONS

SKU #	200293	200294
Colour	Black	White
Rated Voltage	220-240V~ 50Hz	
Total Rated Wattage	540W (Heater Unit 500W + Ducted Fan 40W) 12W (LED Light)	
Lamp Holder	R7s type (Max.1 x 500W heat lamp)	
Airflow	300 m ³ /h (without duct), 250 m ³ /h (with duct)	
Weight (approx.)	Heater (3 Kg) / Fan (1.7 Kg)	
Dimensions	Heater unit (L:440mm, W:360mm, H:160mm) Fan unit (L:180mm, W:270mm, H:190mm)	

LUCCI

BATHROOM HEATER WARRANTY CARD

Our goods come with guarantees that cannot be excluded under the Australian Consumer Law. You are entitled to a replacement or refund for a major failure and compensation for any other reasonably foreseeable loss or damage. You are also entitled to have the goods repaired or replaced if the goods fail to be of acceptable quality and the failure does not amount to a major failure.

Every Lucci Air Tempair (3 in 1) is thoroughly inspected and tested before being released for sale. In addition to any warranties or conditions implied by applicable Statute or Regulation, Lucci Design warrants all of its bathroom heaters against defective workmanship and faulty materials for thirty-six (36) months from the original date of purchase. Lucci Design undertakes, at its option, to repair or replace, free of charge, each product or part thereof subject to the below warranty conditions;

- 1) The fan or relevant part has not been modified, subjected to misuse, neglect, or been involved in an accident.
- 2) The repairs are not required as a result of normal wear and tear.
- 3) The product was installed by a licenced electrical contractor in accordance with this instruction manual.
- 4) No solid state speed control device has been used with the appliance.
- 5) A copy of the original receipt of purchase is presented.
- 6) Globes supplied are not covered by this warranty

Lucci Design cannot be held responsible for any repair other than those carried out by it or one of it's Authorised Service Agents. Please keep this warranty form in a safe place. This form must be produced in the event of service being required.

IN THE EVENT OF SERVICE BEING REQUIRED, PLEASE CALL THE LUCCI FAN WARRANTY HOTLINE ON 1800 602 243 BETWEEN 9AM & 5PM (EST) MONDAY TO FRIDAY ENSURING THAT YOU HAVE THE FOLLOWING DETAILS ON HAND:

MODEL (SKU) NUMBER: _____
 DATE OF PURCHASE: _____
 RETAILER: _____
 RECEIPT NUMBER: _____
 INSTALLED BY: _____
 LICENCE #: _____ PH: _____
 DESCRIPTION OF FAULT: _____