

REEF EXHAUST FAN WITH LED LIGHT

SKU# 209036, 209037

Rated Voltage 220-240V~ 50Hz

To ensure correct function and safety, please read and follow all instructions carefully before assembly, installation and use of this product. Please keep instructions for future reference.

Warranty

- This exhaust fan is covered by a 3 year warranty. The warranty is from date of purchase, not the date of installation.
- Please retain proof of purchase for any warranty enquires.
- Warranty will be void if there is any damage due to improper usage or modification to the fan.
- Failure to comply with the instructions in this manual may increase the risk of damage or injury and will void warranty.

Installation Requirements

- A licensed electrician is required to install this unit to the mains supply.
- Before installation, check the installation location in the ceiling has access to a socket outlet which is connected to a wall switch. If it does not, please contact a licensed electrician to arrange installation of the socket outlet and wall switch before continuing.
- All wiring and installation of the exhaust fan must adhere to the local council regulation and latest local and national wiring rules, eg. AS/NZS 3000 electrical installations. If unsure, contact a licensed electrician.
- This is a Class I product and must be earthed.
- This product is suitable for indoor use only.
- This product must be installed at least 2.1 m above the floor level.
- Before cutting a hole in the ceiling, check that there are no ceiling joists, etc. or electrical wiring above the desired mounting location.
- The mounting point must be support at least 2 times of the weight of the product.
- Ensure all the clearance values to the structural building element are maintained according to the clearance diagram in Figure 7.
- Do not install the exhaust fan in canopies over stoves etc., as excessive heat will damage the product.
- This product is designed for installation in the flat ceiling only. Do not mount it on a sloping ceiling or a vertical wall.
- Any duct (not included) attached to the product must be installed horizontally in the ceiling and with the same height or lower than the exhaust fan.
- Ensure the duct (not included) is not bent otherwise the performance will be reduced.
- Where applicable, precautions must be taken to avoid the back-flow of gases into the room from the open flue of gas or other fuel-burning appliances.
- Do not allow any thermal insulation to cover any part of the rear of the appliance.
- Ensure the thermal insulation does not obstruct the airflow.
- There must be an adequate source of external air to ensure the rated performance.

Performance Notes

1. For exhaust fan optimum performance, volume of air being extracted should be equal to amount of air entering the room. Air is drawn mostly from under a door, or an open window. If the bathroom or room is air tight (door and windows shut), the exhaust will not perform well.
2. LED lighting of the appliance is designed to provide directional lighting only. While it may be sufficient for most common tasks, others such as shaving or applying make-up may require additional lighting.

PARTS

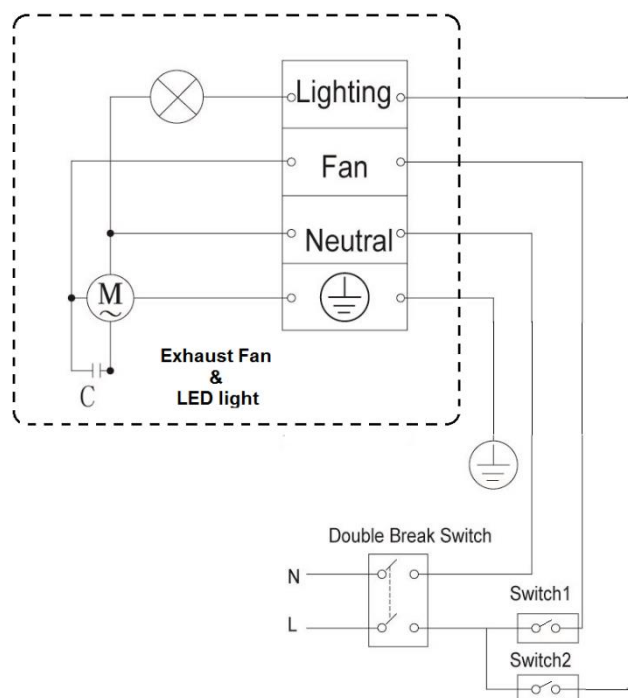


Installation Directions

1. Remove all packaging material from the product and be careful not to throw away accessories that may be hidden within the packaging material.

NOTE: Take care not to pull any electrical wires during unpacking as this may damage the connection.

2. Check whether the product has been damaged during transport. Do not operate/install any product which appears damaged in any way. Return the complete product to the place of purchase for inspection, repair or replacement.
3. Cut an installation hole into the ceiling according to cut-out size specified in the specification section. (Fig.1)
4. Remove the fascia from the exhaust fan body by unclipping the springs. twist to disconnect the LED power cable.
5. Attach the duct (Not included) to the exhaust outlet if needed.
6. Make the wire connection from exhaust terminal fan to wall switch in accordance to wiring diagram. Replace terminal box cover after wiring is complete.



7. Push the three mounting clips to the center of the exhaust fan body and carefully insert the fan body into the cut-out hole in ceiling.
8. Push the three mounting clips out of the exhaust fan body to hold the exhaust fan body onto the ceiling. Use a screwdriver to tighten the three screws on the mounting clips to secure the exhaust fan onto the ceiling. Check and ensure the mounting clips are clamped onto the ceiling tightly. (Fig.2)
9. Reconnect the LED connector; (Fig 3) Select the desired colour temperature using the switch on the back of the luminaire (Fig4 & Fig5)
10. Reinstall the fascia back onto the exhaust fan body. (Fig.6)
11. Switch on Exhaust fan and LED light to check and use.

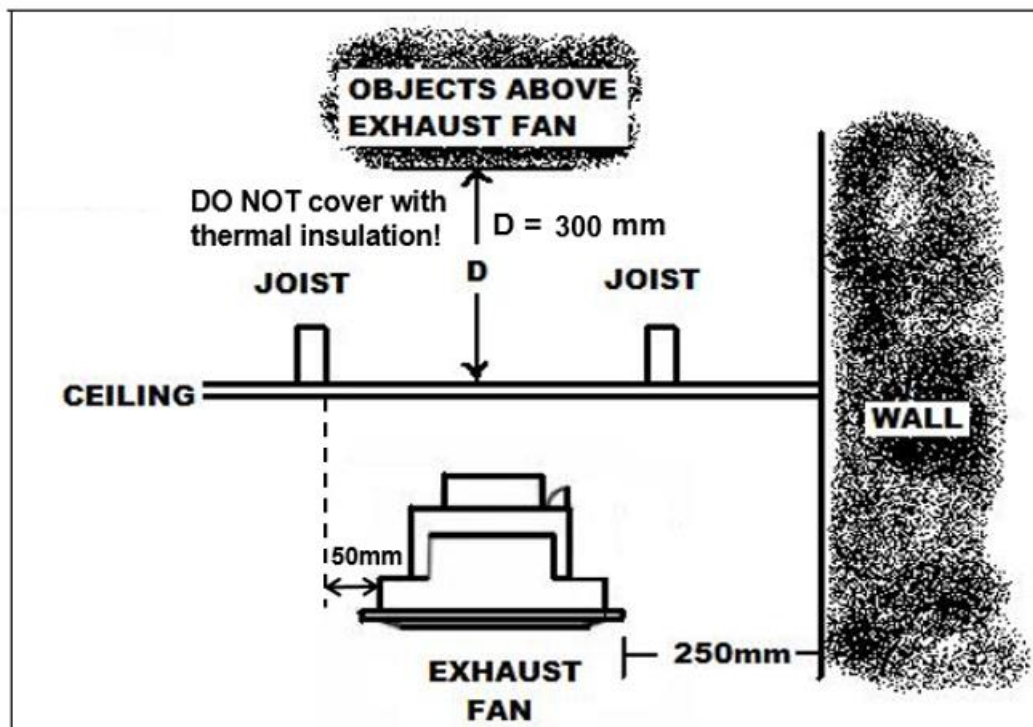
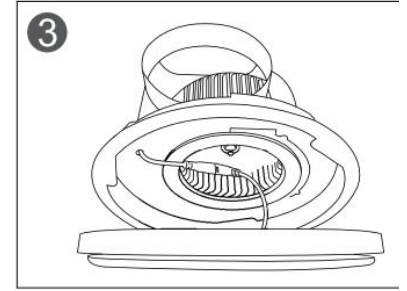
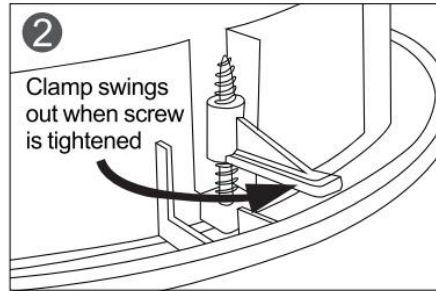
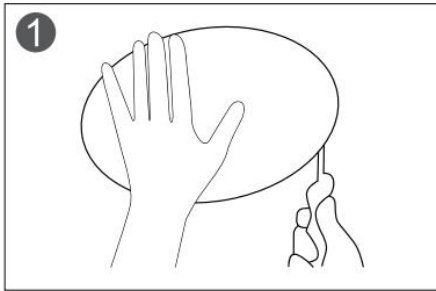


Fig.7 Clearance diagram

Safety Tips

- Always ensure the power is OFF and the exhaust fan has cooled down before performing any maintenance, cleaning or making any adjustment to the exhaust fan.
- Ensure that the exhaust fan is switched off from the supply mains before removing the fascia.
- This appliance is not intended for use by persons (including children) with reduced physical, sensory or mental capabilities, or lack of experience and knowledge, unless they have been given supervision or instruction concerning use of the appliance by a person responsible for their safety.
- Children should be supervised to ensure that they do not play with the appliance.
- **WARNING:** If unusual oscillating movement is observed, immediately stop using the product and contact the manufacturer, its service agent or suitably qualified persons.
- Do not allow any foreign object to enter the grille opening as which may damage the product.
- The supply cord cannot be replaced. If the cord is damaged the appliance should be scrapped.
- Ensure that the fan does not come in contact with corrosive chemicals solvents or abrasive cleaners etc.
- Clean the grille and blades regularly. To clean, wipe with a damp clean cloth. Do NOT soak or immerse the product in water or other liquids.

Specifications

SKU #	209036	209037
Colour	White	
Insulation class	Class I	
IP rating	IP22	
Rated voltage	220-240V~, 50Hz	
Fan Rated wattage	35W	40W
Light Wattage	12W	18W
Lumens	1150 lumens	2000 lumens
Colour Temperature	CCT 4000K/5000K/6000K	CCT 4000K/5000K/6000K
Max. Airflow	325M ³ /H	580M ³ /H
Cut-out size	Φ240mm	Φ290mm
Overall dimensions	L:270mm W:270mm H:190mm	L:330mm W:330mm H:200mm
Size of faceplate	Square (270mm x 270mm)	Square (330mm x 330mm)
Exhaust outlet / Duct size	Φ100mm	Φ150mm
Blade diameter	Φ140mm	Φ165mm
Weight	2kg	2.3kg

LUCCI

BATHROOM EXHAUST FAN WARRANTY CARD

Our goods come with guarantees that cannot be excluded under the Australian Consumer Law. You are entitled to a replacement or refund for a major failure and compensation for any other reasonably foreseeable loss or damage. You are also entitled to have the goods repaired or replaced if the goods fail to be of acceptable quality and the failure does not amount to a major failure.

Every Lucci Air Exhaust fan & Light (2 in 1) is thoroughly inspected and tested before being released for sale. In addition to any warranties or conditions implied by applicable Statute or Regulation, Lucci Design warrants all of its bathroom heaters against defective workmanship and faulty materials for thirty six (36) months from the original date of purchase. Lucci Design undertakes, at its option, to repair or replace, free of charge, each product or part thereof subject to the below warranty conditions;

- 1) The fan or relevant part has not been modified, subjected to misuse, neglect, or been involved in an accident.
- 2) The repairs are not required as a result of normal wear and tear.
- 3) The product was installed by a licenced electrical contractor in accordance with this instruction manual.
- 4) No solid state speed control device has been used with the appliance.
- 5) A copy of the original receipt of purchase is presented.
- 6) Globes supplied are not covered by this warranty

Lucci Design cannot be held responsible for any repair other than those carried out by it or one of its Authorised Service Agents. Please keep this warranty form in a safe place. This form must be produced in the event of service being required.

IN THE EVENT OF SERVICE BEING REQUIRED, PLEASE CALL
THE LUCCI FAN WARRANTY HOTLINE ON 1800 602 243 BETWEEN
9AM & 5PM (E.S.T) MONDAY TO FRIDAY ENSURING THAT YOU

HAVE THE FOLLOWING DETAILS ON HAND:

MODEL (SKU) NUMBER: _____

DATE OF PURCHASE: _____

RETAILER: _____

RECEIPT NUMBER: _____

INSTALLED BY: _____

LICENCE #: _____ PH: _____

DESCRIPTION OF FAULT: _____
