

METT INLINE EXHAUST FAN

SKU# 209040

Rated Voltage 220-240V~ 50Hz

Thank you for purchasing this quality Lucci product. To ensure correct function and safety, please read and follow all instructions carefully before assembly, installation and use of this product. Please keep instructions for future reference.

Warranty

- This exhaust fan is covered by a 12 month warranty. The warranty is from date of purchase, not the date of installation.
- If this exhaust fan is not assembled and installed by a licensed electrician the warranty will be void.
- Please retain proof of purchase and evidence of installation by a licensed electrician for any warranty enquires.
- Warranty will be void if there is any damage due to improper usage or modification to the fan.
- Failure to comply with the instructions in this manual may increase the risk of damage or injury and will void warranty.

Safety Precautions

Read the Safety Precautions below before use and carrying out installation.

- Always ensure the power is OFF and the fan has cooled down before performing any maintenance, cleaning or making any adjustment to the fan.
- Means of all-pole disconnection must be incorporated in the fixed wiring.
- This appliance is not intended for use by persons (including children) with reduced physical, sensory or mental capabilities, or lack of experience and knowledge, unless they have been given supervision or instruction concerning use of the appliance by a person responsible for their safety.
- Children should be supervised to ensure that they do not play with the appliance.
- **WARNING:** If unusual oscillating movement is observed, immediately stop using the product and contact the manufacturer, its service agent or suitably qualified persons.
- Do not allow any foreign object to enter the grille opening as which may damage the product.
- Ensure that the fan does not come in contact with corrosive chemicals solvents or abrasive cleaners etc.
- Clean the grilles regularly. To clean, wipe with a damp clean cloth. Do NOT soak or immerse the product in water or other liquids.

Installation Requirements

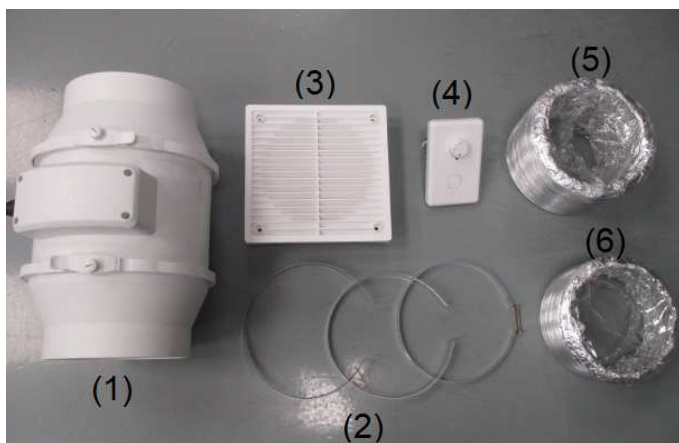
- A licensed electrician is required to install this unit to the mains supply.
- All wiring and installation of the exhaust fan must adhere to the local council regulation and latest local and national wiring rules, eg. AS/NZS 3000 electrical installations. If unsure, contact a licensed electrician.
- This exhaust fan must be installed to an isolation switch in accordance with the current AS/NZS 3000, also known as wiring rules.
- This product is suitable for indoor use only. It is rated IPX2 which is protected against vertically falling water drops when the enclosure tilted up to 15°.
- This exhaust fan is a Class II product and must be maintained during wiring and installation.
- The mounting point must be able to support at least 2 times of the weight of the product.
- Ensure all the clearance value to the structural building element are maintained according to the clearance diagram in Fig.4.
- Do not install the inlet of the exhaust fan in canopies over stoves etc., as excessive heat will damage the product.
- This product is designed for installation on a flat ceiling only. Do not mount it on a sloping ceiling or a vertical wall.
- Any duct attached to the product must be installed horizontally in the ceiling and with the same height or lower than the exhaust fan.

- Ensure the duct is not bent otherwise the performance will be reduced.
- Where applicable, precautions must be taken to avoid the back-flow of gases into the room from the open flue of gas or other fuel-burning appliances.
- Do not allow any thermal insulation to cover any part of the rear of the appliance. A minimum of 100mm clearance must be maintained between the fan unit and insulation.
- Ensure the thermal insulation does not obstruct the airflow.
- There must be an adequate source of external air to ensure the rated performance.
- The wall switch should not be installed where it can be touched by someone within a bath or shower.

Installation Directions

STEP I – Preparation and identify the installation location:

1. Remove all packaging material from the product and be careful not to throw away accessories that may be hidden within the packaging material. (Refer to the part list to check all accessories provided)
2. Check whether the product has been damaged during transport. Do not operate/install any product which appears damaged in any way. Return the complete product to the place of purchase for inspection, repair or replacement.
3. Identify suitable locations to install the inlet grill (Sold separately SKU# 209041 - 209046), exhaust fan and the outlet grill. Take care to avoid structural elements and existing wiring when identify the location.



Parts List

- (1) Inline Fan unit**
- (2) 3 x straps for fixing the duct**
- (3) 1 x Outlet grille & strap**
- (4) 3-speed wall switch**
- (5) 1 x 3M duct**
- (6) 1 x 1M duct**

STEP II – Installation of the fan unit and duct kit

1. **Switch off the mains power before any installation.**
2. Loosen the locking screws on the plastic clasps.
3. Remove the main body by unclipping the plastic clasps and lifting the main body out of the housing base. (Fig.1)
4. Secure the housing base to a suitable mounting point using the mounting holes in the base. (Fig.2)

NOTE: Check and ensure the body is mounted firmly to reduce vibrations.

5. Fit the main body back to the clasp and tighten the locking screws. (Fig.3)

NOTE: Ensure the airflow direction arrow on the cover of the terminal box is pointing towards the outlet.

6. Attach the flexible ducts to the inlet and outlet side of the motor unit. Secure the duct with the strap provided.
7. Install the inlet grill (Sold separately SKU# 209041 - 209046) and the outlet grill (included, Φ 155mm cut out) in the desired location.
8. Stretch the ducts out and attach them to inlet & outlet grills. Secure the duct with the strap provided.

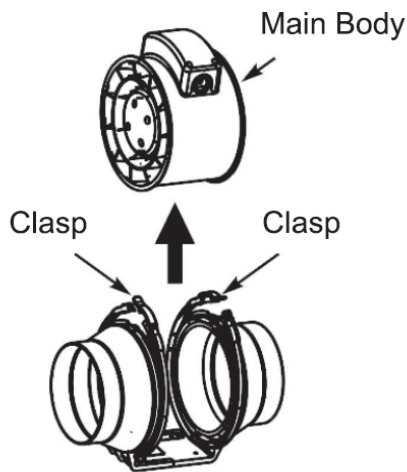


Fig. 1 – Remove main body

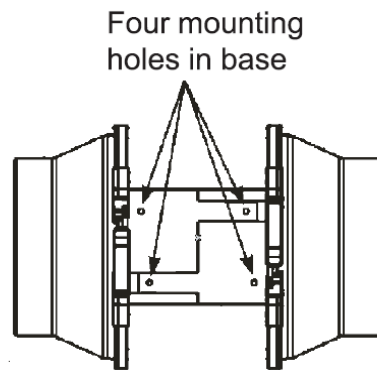


Fig. 2 – Secure Base

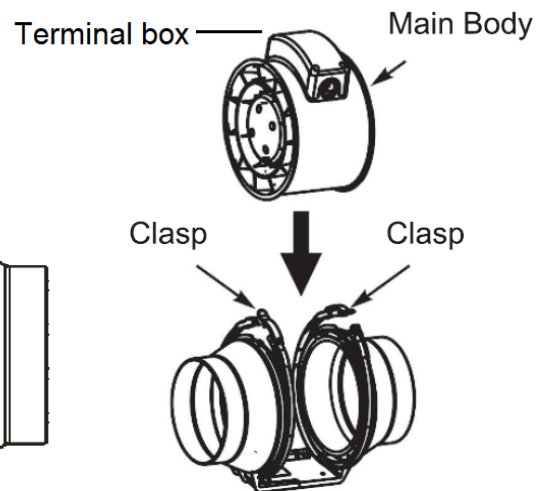


Fig. 3 – Install main body

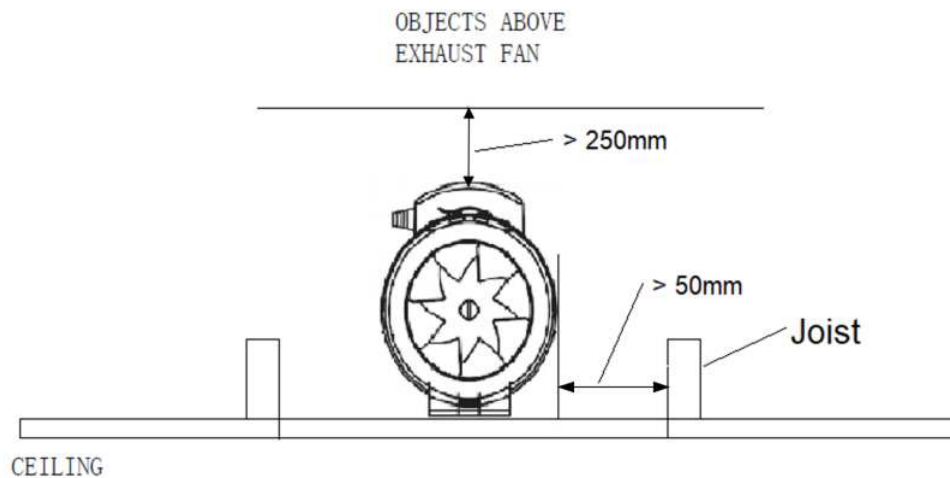


Fig.4 Clearance diagram

STEP III - Wiring

9. Install the 3-speed wall switch (provided) in the desired location.
10. Open the cover of the terminal box by unscrewing the four screws.
11. Insert the supply cable through the cable entry and connect the wirings according to the wiring diagram. (Fig.5)

NOTE: The terminals marked 'X' are NOT for connection.

12. Loosen the screws of the cord anchorage. Place the supply cable in the cord anchorage then secure by tightening the screws.
13. Close the cover of the terminal box. Then secure the terminal box by tightening the four screws.
14. Switch on the power to test the exhaust fan.

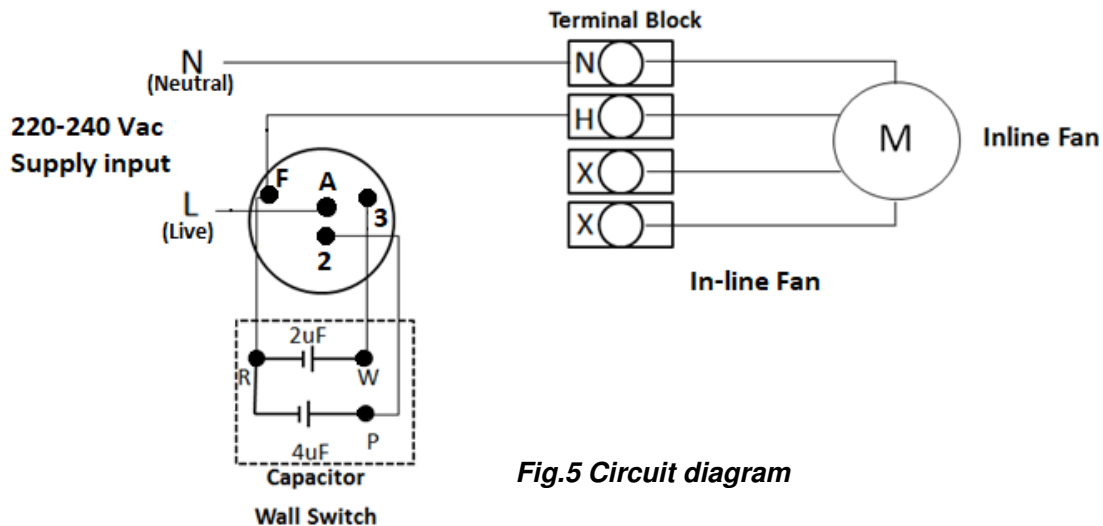
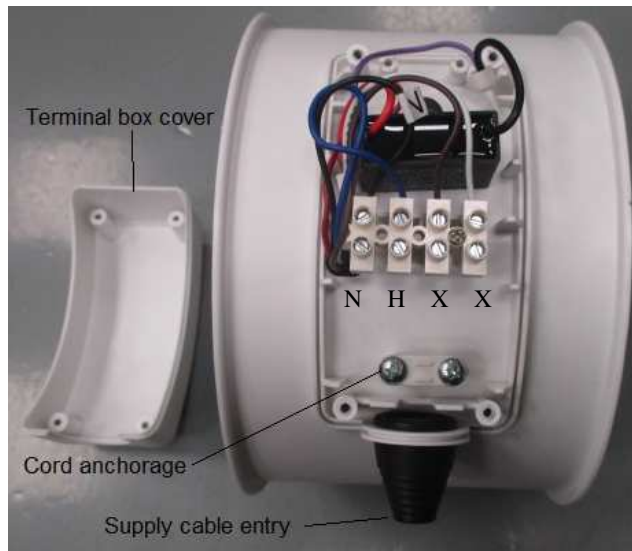


Fig.5 Circuit diagram

Specifications	
SKU #	209040
Colour	White
Insulation class	Class II
IP rating	IPX2
Rated voltage	220-240V~, 50Hz
Rated wattage	H: 45W, M: 30W, L: 14W
Max. Airflow	H: 464 M ³ /H, M: 365 M ³ /H, L: 199 M ³ /H
Overall dimensions	H: 248mm W: 300mm D: 200mm
Cut-out size of the outlet grille	Φ155mm
Exhaust outlet / Duct size	Φ150mm (2 x Duct kits included – 3M & 1M)
Wall switch	3 speed
Weight	3kg
Compatible inlet grille	Lucci sku# 209041, 209042, 209043, 209044, 209045, 209046