

# LUCCIAR



## **METT 4 IN 1 EXHAUST FAN SKU# 209047**

**CAUTION**  
**READ INSTRUCTIONS CAREFULLY FOR SAFE**  
**INSTALLATION AND FAN OPERATION.**

**WARRANTY**

- This product is covered by a 3-year warranty. The warranty is from the date of purchase, not the date of installation.
- If this product is not installed by a licensed electrician, the warranty will be void.
- All wiring and installation of this product must adhere to the latest local and national wiring rules. e.g. AS/NZS 3000 Electrical Installations.
- Please retain proof of purchase and evidence of installation by a licensed electrician for any warranty enquiries.
- Warranty will be void if there is any damage due to improper usage or modification to the product.
- Failure to comply with the instructions in this manual may cause damage or injury and will void warranty.
- Please do not attempt to open or repair the heater yourself. Doing so could void the warranty and cause damage or personal injury.

**GENERAL SAFETY WARNING**

1. Use this heater in accordance to the instructions outlined in this manual.
2. Ensure power to the circuit you are working on has been switched OFF before commencing any electrical work.
3. The heater must be properly grounded/earth.
4. Do not touch the heater grille outlet or fascia when in use.
5. Wait for the heater to cool down before cleaning or maintenance.
6. Never use the heater without the panel or fascia.
7. This appliance is not intended for use by persons, including children, with reduced physical, mental or sensory capabilities, or lack of knowledge and understanding, unless they are supervised and or given instruction concerning the use of the appliance by someone responsible for their safety.
8. This appliance is not a toy. Children should be supervised to ensure that they do not play with the appliance.

**INSTALLATION WARNINGS**

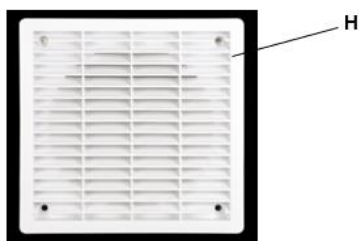
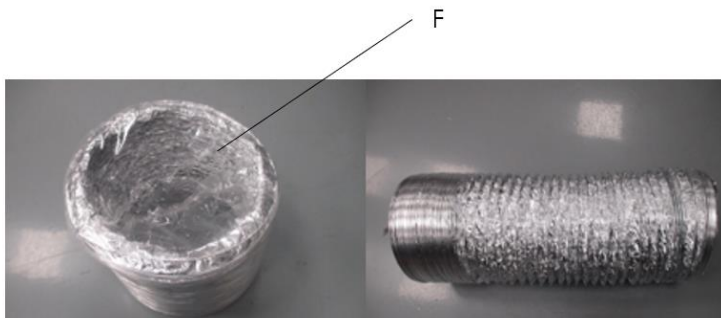
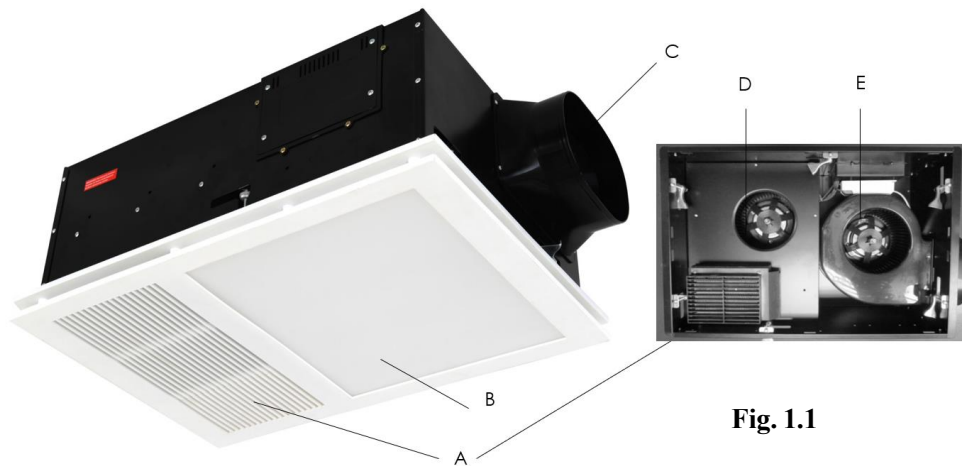
1. This heater must not be located / installed immediately below a socket outlet.
2. Installation of the wall switch for this appliance must adhere to all current building regulations.i.e.,When Used in a bathroom, the switch should not be able to be reached or operated by a person within the bath Or shower.
3. This heater shall, under no circumstances, be covered with insulating material or similar material.
4. Regulations concerning the discharge of air have to be fulfilled.
5. Joists, beams and rafters shall not be cut or notched to install this heater.
6. Installation is to be no less than 2.0 metres from the floor.
7. The product must be installed in a flat ceiling. Do not install on a sloped ceiling, or vertically.
8. Take care not to pull any electrical wires during unpacking as this may damage the connection.
9. Lay out all the components on a smooth surface and make sure there are no components missing before assembling. If parts are missing, return the complete product to the place of purchase for inspection or replacement.
10. Check whether the fitting has been damaged during transport. Do not operate/install any product which appears damaged in any way. Return the complete product to the place of purchase for inspection, repair or replacement.

**PERFORMANCE NOTES**

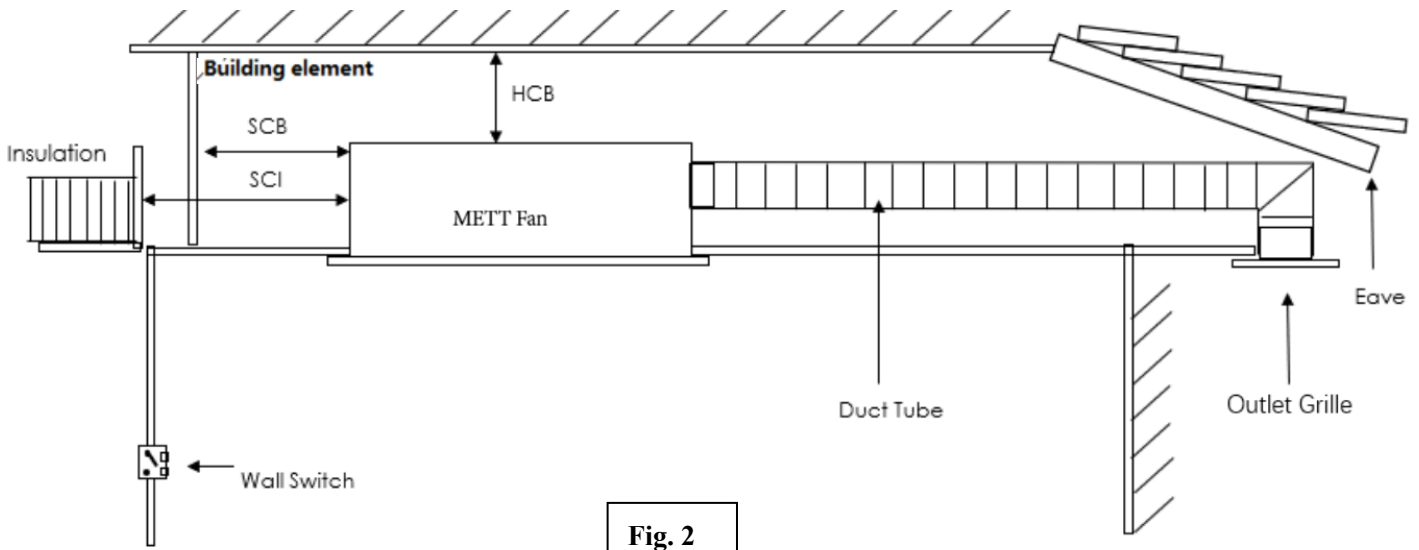
1. For exhaust fan optimum performance, volume of air being extracted should be equal to the amount of air entering the room. Air is drawn mostly from under a door, or an open window. If the bathroom or room is air tight (door and windows shut), the exhaust will not perform well.
2. The heater will work most effectively if you are standing directly under the appliance.
3. LED lighting of the appliance is designed to provide directional lighting only. While it may be sufficient for most common tasks, others such as shaving or applying make-up may require additional lighting.

**PARTS**

PTC Heater	A
LED lighting fixture	B
Air Duct (150mm)	C
Fan	D
Exhaust Fan	E
Aluminium Duct	F
Wall switch	G
Outlet Grille	H
Cut-out Template	I



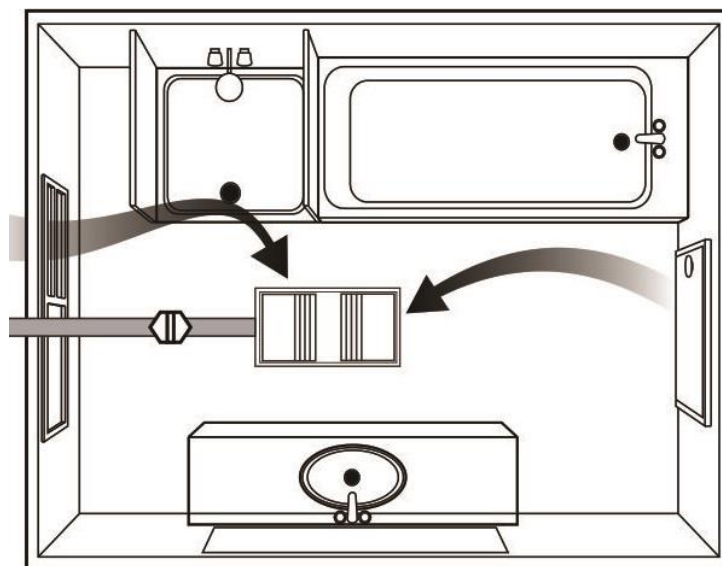
**INSTALLATION INSTRUCTIONS**



**Fig. 2**

Clearance requirement	
HCB-Height clearance to building element	20mm
HCI-Height clearance to insulation	10mm
SCB-Side clearance to building element	15mm
SCI-Side clearance to insulation	20mm
The distance between the sides of the heater and the sides and any adjacent ceiling recessed heater shall not be less than four times the minimum distance specified for the distance between the sides of the heater and any building element adjacent to it.	

1. Locate a suitable location in which you wish to install the heater fan. Note it should not be in an area where the product may come in contact with water such as above a shower or bath. The centre of a room is ideal. (Fig. 3)



**Fig. 3**

2. Ensure the appliance is installed, recessed into a ceiling at least 2.0 metres from the floor.

- Use the cut-out template card as a template. Place in the required location and mark out the hole cutting size: 523mm x 343mm. Before commencing cutting ensure that the area behind the intended location is clear of all cables, pipes and joists. Once clear, cut out the section along the previously marked lines. (Fig. 4)

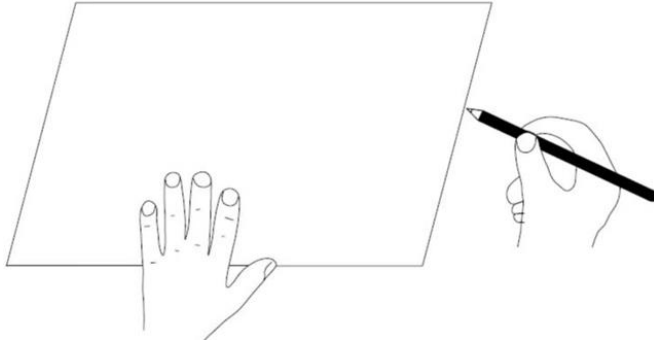


Fig. 4

- Determine the length of Aluminium Duct required between METT fan outlet and the out grille (Fig. 9) as show in the diagram above (Fig. 2 & 3). 3 meters of Aluminium duct are provided. Cut Aluminium duct to appropriate length and connect the METT fan and out grille. fit Aluminium duct to the outlet of the METT fan and feed to outlet of the wall grille. Use tape to secure this Aluminium duct connection if required. We recommend the location of the grille (Fig.9) on the exterior wall/surface of the building in such that the ducting is routed as straight and linear as possible between the METT fan and the grille outlet. This will ensure best air extraction.
- Remove the terminal cover on the side of the METT fan, Connect the supply wires to the terminal block on the side of the METT fan. Complete in accordance with the wiring diagram shown in Fig. 6
- Make the wiring connection of the wall switch supplied to the terminal block on the METT fan, using wiring diagram shown in Fig. 6, make sure all cables are securely connected and refit the terminal box cover.

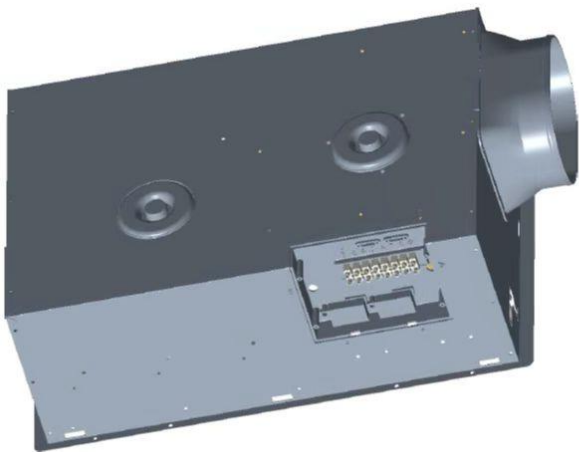


Fig. 5

**Caution:** For your safety - All electrical wiring connections must be performed by a licensed electrician.

**WARNING: FOR SAFE USE OF THIS APPLIANCE, MEANS FOR ALL-POLE DISCONNECTION MUST BE INCORPORATED IN THE FIXED WIRING IN ACCORDANCE WITH THE WIRING RULES..**  
 This is a requirement of clause 7.12.2 of the household appliance Standard **AS/NZS 60335.1** (The latest standard edition) Please note warranty will be void if installed without a means for an all-pole disconnection included in the wiring.

- The electric mains should be equipped with an automatic circuit breaker with a rated current not less than 10A.
- The heater must not be located immediately below a power point. Power point should not be located at the back of the heater. The power point needs to be located outside the physical footprint of the heater to minimise heat build-up behind the heater.

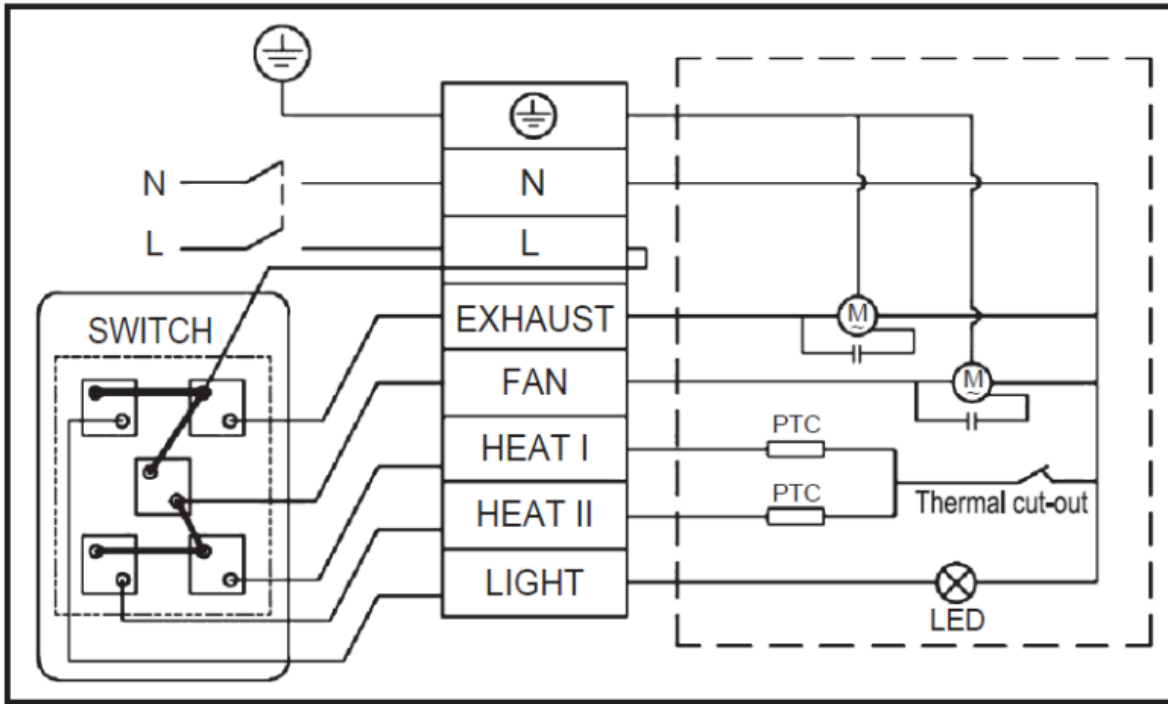


Fig. 6

7. Prise up the edge of fascia then take off the fascia. Take the LED plug off the METT fan by twisting and pulling apart the connectors. (Fig. 7)

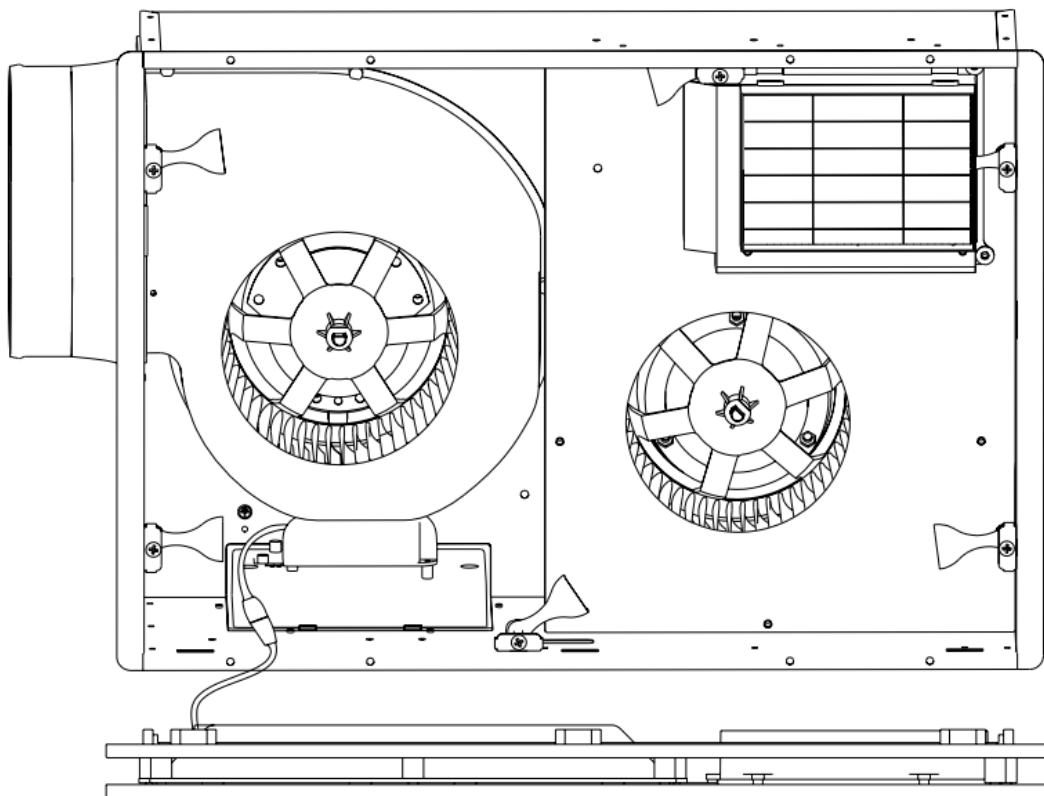
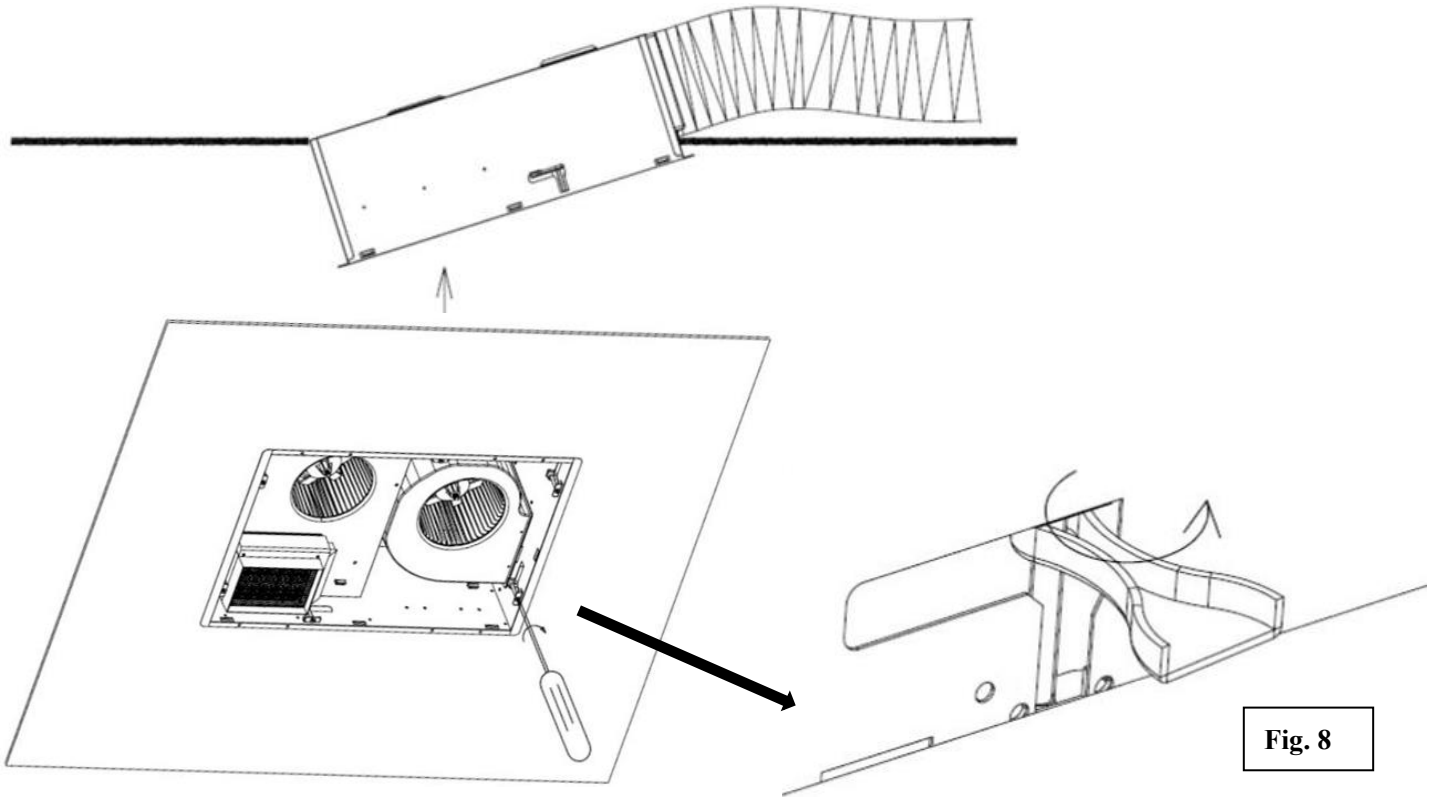


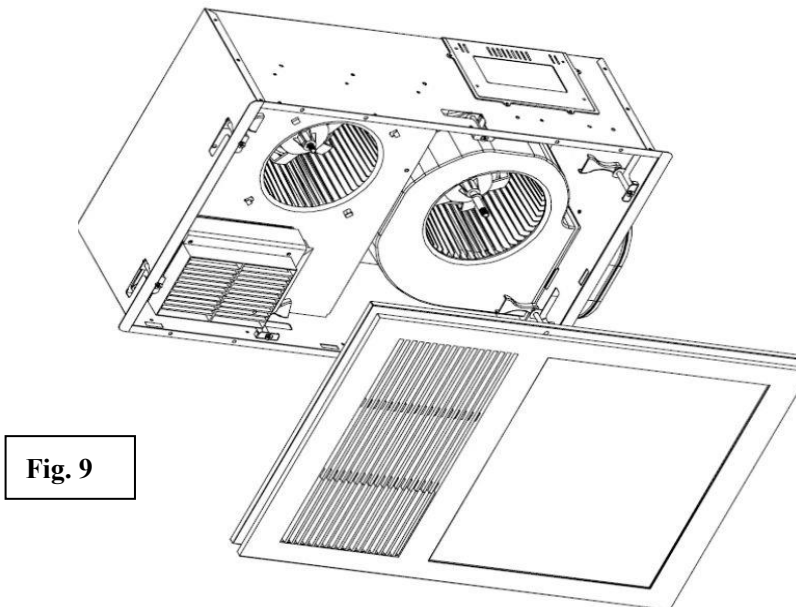
Fig. 7

8. Insert the METT fan (without the fascia) into the installation hole (step 3) and push up. Ensure the 6 metal clips are push into the body and do stick out, when inserting the METT fan into the installation hole. Use a screw driver to tighten the screws until the mounting clips swing outside the body and clamp down onto the ceiling tightly. (Fig. 8)



**Fig. 8**

9. Connect the LED plug to the fascia then attach fascia to the METT fan body, making sure all fixing clips have located correctly. Ensure the LED power connector and wires are not near the heater while replacing fascia.

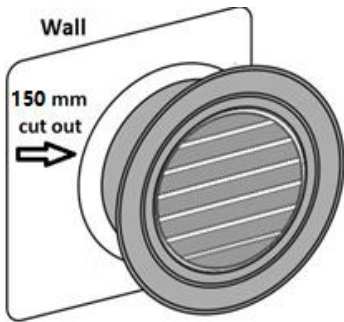


**Fig. 9**

10. Switch ON to check the function and operation as per described in the “USE AND OPERATION” section are correct.

**INSTALLING THE GRILLE**

1. Cut a 150mm round hole in your wall or eave.



**Fig. 10**

2. Feed the ducting tube through the hole and connect to grille. Ensure connection is secure.
3. Feed the ducting tube back through the wall and into the cavity until the grille is secure and sits flush against the wall or eave.

**USE AND OPERATION**

Your METT Fan with LED Light is controlled by a 5 gang wall control. Each switch turns on and off each function individually as follows:

**Fan**

Please note: “Fan” must be switched on before Heat function can operate.

- Use “Fan” only (without “Heat”) for cooling effect in warmer weather.

**Heat**

Please note: “Heat Functions” will only operate after ‘Fan’ has been switched on.

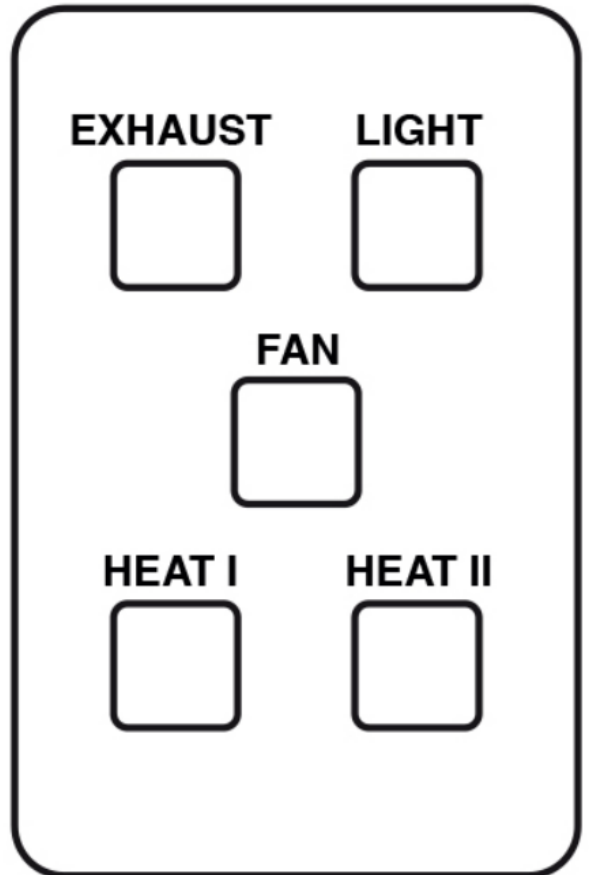
- Stand directly underneath the fan heater for maximum heating effect.
- In cooler weather, turn the heater on 5 to 10 minutes before having a bath or shower. This will warm the environment, helping to minimise steam production and condensation on the mirrors and walls.
- In high steam conditions, use the exhaust function in tandem with the heat function to maximise steam removal.

**Exhaust**

- For maximum exhaust performance, there must be sufficient replacement intake air available through either an ajar door, an adequate size gap underneath the door or an air vent in the door.
- In high steam conditions, run exhaust for several minutes after leaving the bathroom to help with condensation and moisture control.

**Light**

- LED Light 20W 1400LM 4000K





**CARE & MAINTENANCE**

**NOTE:** Always turn OFF the power at the mains switch before performing any maintenance or attempting to clean your fan.

1. Turn off power before cleaning.
2. Ensure the appliance has cooled before touching.
3. The LED light source cannot be replaced.
4. Clean the fascia and airways regularly. To clean, wipe with a soft damp clean cloth. DO NO use organic/corrosive chemical/solvents or abrasive cleaners etc.
5. Do not soak or immerse your fan in the water or other liquids. It could damage the product and create the possibility of an electrical shock.

**SPECIFICATIONS**

SKU #	209047
Colour	Matte White
Insulation class	Class I
IP rating	IPX2
Rated Voltage	220-240V~ 50Hz
Total Rated Wattage	2115W (LED Light:20W / Exhaust:55W / Heater Unit & Fan: 2040W)
Light Specs	LED 20W 1400LM 4000K
Max. Airflow	380M <sup>3</sup> /H
Cut-out size	523mm x 343mm
Overall dimensions	L600mm (Including Duct Vent) *W375mm*H230mm Max.
Size of faceplate	L540mm*W375mm*H44mm
Exhaust outlet / Duct size	Φ 150mm
Weight	8.3kg

# LUCCI

## BATHROOM HEATER WARRANTY CARD

**Our goods come with guarantees that cannot be excluded under the Australian Consumer Law. You are entitled to a replacement or refund for a major failure and compensation for any other reasonably foreseeable loss or damage. You are also entitled to have the goods repaired or replaced if the goods fail to be of acceptable quality and the failure does not amount to a major failure.**

Every Lucci Air Mett 4 in 1 is thoroughly inspected and tested before being released for sale. In addition to any warranties or conditions implied by applicable Statute or Regulation, Lucci Design warrants all of its bathroom heaters against defective workmanship and faulty materials for thirty six (36) months from the original date of purchase. Lucci Design undertakes, at its option, to repair or replace, free of charge, each product or part thereof subject to the below warranty conditions;

- 1) The fan or relevant part has not been modified, subjected to misuse, neglect, or been involved in an accident.
- 2) The repairs are not required as a result of normal wear and tear.
- 3) The product was installed by a licenced electrical contractor in accordance with this instruction manual.
- 4) No solid state speed control device has been used with the appliance.
- 5) A copy of the original receipt of purchase is presented.
- 6) Globes supplied are not covered by this warranty

**Lucci Design cannot be held responsible for any repair other than those carried out by it or one of its Authorised Service Agents. Please keep this warranty form in a safe place. This form must be produced in the event of service being required.**

**IN THE EVENT OF SERVICE BEING REQUIRED, PLEASE CALL THE LUCCI FAN WARRANTY HOTLINE ON 1800 602 243 BETWEEN 9AM & 5PM (E.S.T) MONDAY TO FRIDAY ENSURING THAT YOU HAVE THE FOLLOWING DETAILS ON HAND:**

MODEL (SKU) NUMBER: \_\_\_\_\_

DATE OF PURCHASE: \_\_\_\_\_

RETAILER: \_\_\_\_\_

RECEIPT NUMBER: \_\_\_\_\_

INSTALLED BY: \_\_\_\_\_

LICENCE #: \_\_\_\_\_ PH: \_\_\_\_\_

DESCRIPTION OF FAULT: \_\_\_\_\_

\_\_\_\_\_