



**LUCCI**  
**AIRFUSION QUEST II**  
**CEILING FAN**  
**WITH IR REMOTE**

- **INSTALLATION**
- **OPERATION**
- **MAINTENANCE**
- **WARRANTY INFORMATION**

**CAUTION**  
**READ INSTRUCTIONS CAREFULLY FOR SAFE**  
**INSTALLATION AND FAN OPERATION.**

## THANK YOU FOR PURCHASING

Thank you for purchasing this quality Lucci product. To ensure correct function and safety, please read and follow all instructions carefully before assembly, installation and use of this ceiling fan. Please keep instructions for future reference.

## SAFETY PRECAUTIONS

1. In Europe: This appliance can be used by children aged from 8 years and above and persons with reduced physical, sensory or mental capabilities or lack of experience and knowledge if they have been given supervision or instruction concerning the use of the appliance in a safe way and understand the hazards involved. Cleaning and maintenance shall not be undertaken by children without supervision.
2. In Australia: The appliance is not intended for use by persons (including children) with reduced physical, sensory or mental capabilities, or lack of experience and knowledge, unless they have been given supervision or instruction concerning the use of the appliance by a person responsible for their safety.
3. Children should be supervised to ensure that they do not play with the appliance.
4. An all-pole disconnection switch must be incorporated into the fixed wiring, in accordance with local wiring rules.

## IN AUSTRALIA

### WARNING:

**FOR SAFE USE OF THIS FAN AN ALL-POLE DISCONNECTION  
MUST BE INCORPORATED INTO THE FIXED WIRING IN  
ACCORDANCE WITH THE WIRING RULES.**

As outline in clause 7.12.2 of AS/NZS 60335-1 for meeting the minimum electrical safety of this standard.

Please note warranty will be void if installation is without a means for an all-pole disconnection incorporated in the fixed wiring in accordance with the wiring rules.



Example: If a fan is connected to a circuit that can be isolated via an all-pole safety switch at the switchboard, then this is considered to be an all-pole disconnection to the ceiling fan electrical circuit, meeting the requirements of clause 7.12.2 of AS/NZS 60335.1.

**A single-pole switch on the active of the receiver input of remote control must also be included in the wiring, and located the same room as the ceiling fan.**



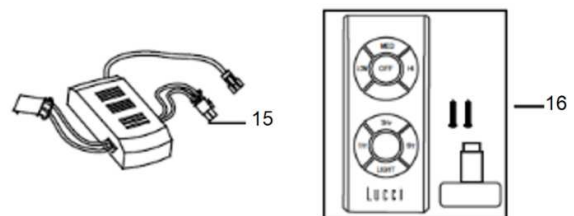
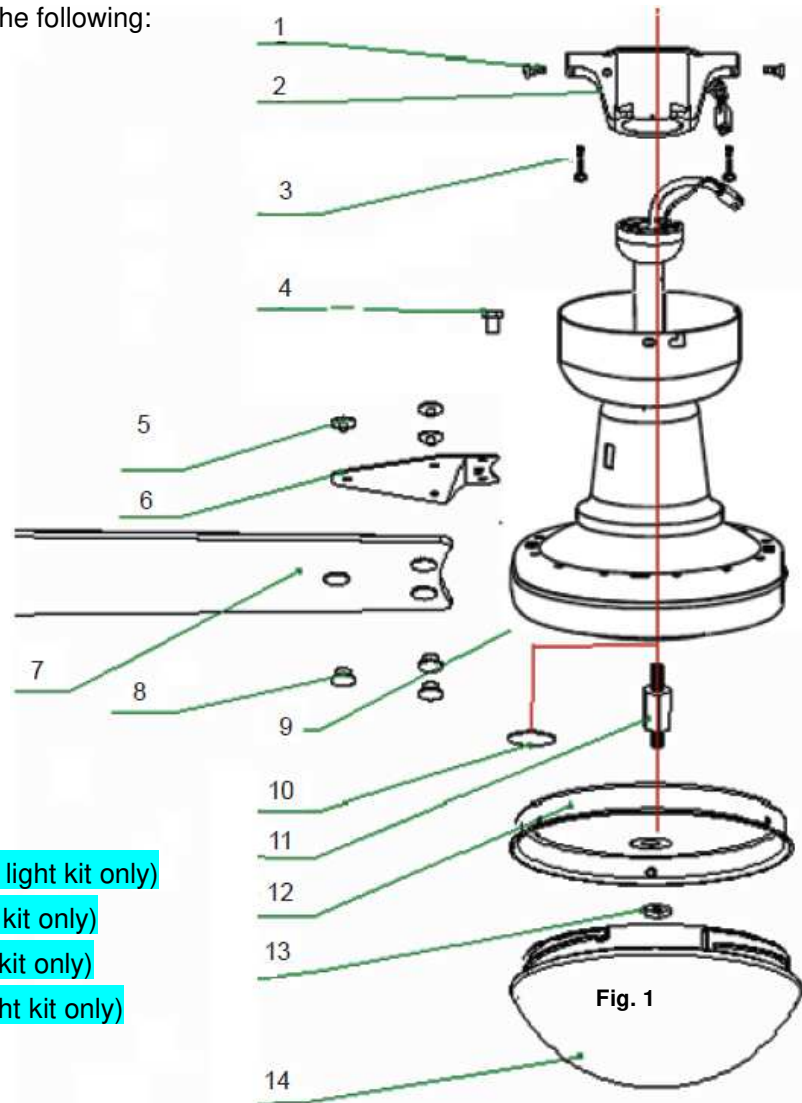
5. Do not dispose of electrical appliances as unsorted municipal waste, use separate collection facilities. Contact your local government for information regarding the collection systems available. If electrical appliances are disposed of in landfills or dumps, hazardous substances can leak into the ground water and get into the food chain, damaging your health and well-being.
6. The structure to which the fan is to be mounted must be capable of supporting a weight of 30kg.
7. The fan should be mounted so that the blades are at least 2.3 m above the floor in Europe or 2.1 m above the floor in Australia.
8. This fan is designed for indoor use only. Mounting the fan in a location where it is subject to water or moisture is dangerous and will void the warranty.
9. Must be assembled and installed by a licensed electrician.
10. **WARNING:** If unusual wobbling or oscillating movement is observed, immediately stop using the ceiling fan and contact the manufacturer, its service agent or suitably qualified persons.
11. The replacement of parts of the safety suspension system device shall be performed by the manufacturer, its service agent or suitably qualified persons.
12. The fixing means for attachment to the ceiling such as hooks or other devices shall be fixed with a sufficient strength to withstand 4 times the weight of the ceiling fan; that the mounting of the suspension system shall be performed by the manufacturer, its service agent or suitably qualified persons.



## PARTS LIST

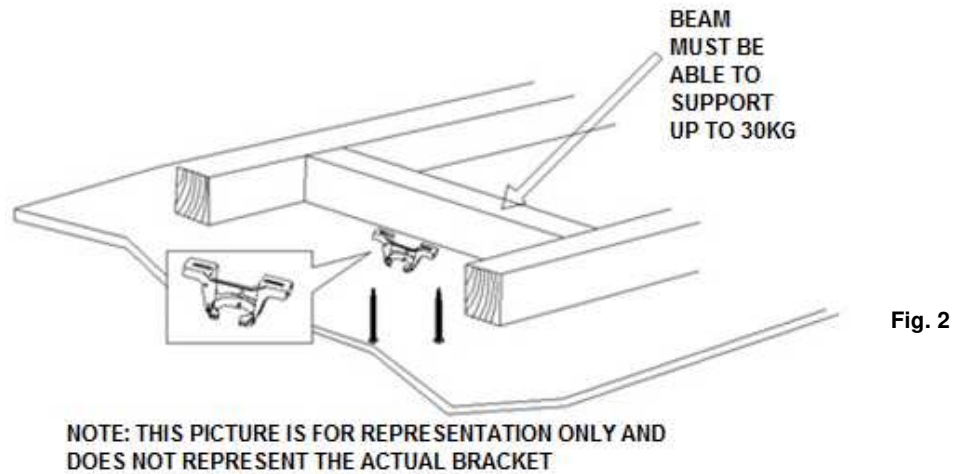
- Unpack your ceiling fan carefully. Remove all parts and hardware.
- Lay out all the components on a smooth surface and make sure there are no components missing before assembling. If parts are missing, return the complete product to the place of purchase for inspection or replacement.
- Check whether the ceiling fan has been damaged during transport. Do not operate/install any product which appears damaged in any way. Return the complete product to the place of purchase for inspection, repair or replacement.
- Examine all parts, you should have the following:

1. Canopy screw x 4
2. Mounting bracket x 1
3. Screw for mounting bracket x 2
4. Blade screw x 8 (and 1 spare)
5. Blade holder screw x 12 (and 1 spare)
6. Blade holder x 4
7. Blade x 4
8. Blade holder nut x 12 (and 1 spare)
9. Fan assembly with motor, down rod and canopy x 1
10. Decorative cover x 1
11. Light connector x 1 (for models with light kit only)
12. Light base x 1 (for models with light kit only)
13. Screw nut x 1 (for models with light kit only)
14. Glass shade x 1 (for models with light kit only)
15. Receiver x 1
16. Remote x 1 set



**INSTALLING THE MOUNTING BRACKET**

- The ceiling fan must be installed in a location so that the blades are a minimum 300mm spacing from the tip of the blade to the nearest objects or walls.
- Install the mounting bracket to the ceiling joist or structure that is capable of carrying a load of at least 30kg, with the two long screws provided. Ensure at least 30mm of the screw is threaded into the support. (Fig. 2)



**NOTE:** The bracket screws provided are for use with wooden structures only. For structures other than wood, the appropriate screw type **MUST** be used. Ensure the screws used are suitable for the mounting surface and the surrounding environment.

**ANGLED CEILING INSTALLATION**

This fan hanging system supports a maximum 18 degree angled ceiling installation. (Fig. 3)

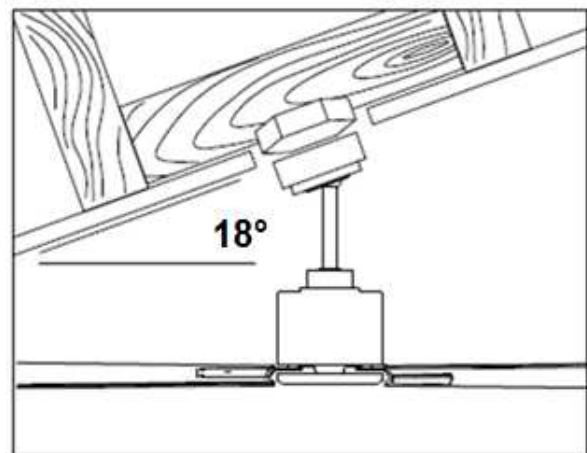
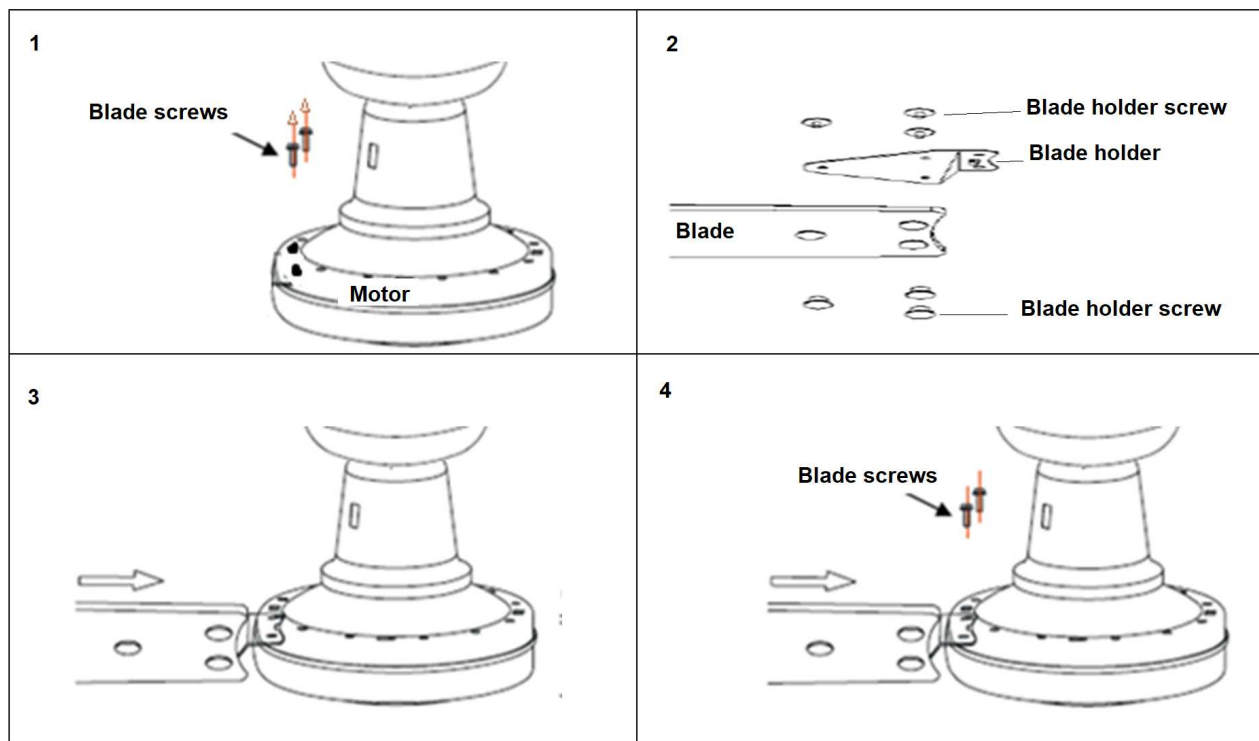


Fig. 3

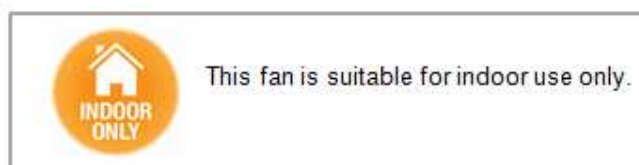
**BLADE INSTALLATION**

**BLADE ATTACHMENT (Fig. 4)**

1. Before installing the blades, remove the blade screws that pre-installed on the fan motor assembly.
2. Install the blade to the blade holder by **tightening the blade holder screw and nut set using the included allen key.**
3. Insert the hook of the blade holder into the square hole of motor.
4. Align the 2 mounting holes on the blade holder to the 2 mounting holes on the fan motor assembly and using the 2 blade screws (removed in step 1) to secure the blade to the fan motor assembly.
5. **Ensure the screws are tightened equally and evenly to reduce the chance of warping or unbalancing. Take care not to over tighten the screws as this can damage the blades.**
6. Once completed, repeat the process on the remaining blades



**Fig. 4**



## HANGING THE FAN

Lift the fan assembly onto the mounting bracket. Ensure the key slot (A) of the hanger ball is positioned on the key pin (B) of the mounting bracket (C) to prevent the fan from rotating when in operation. (Fig.5)

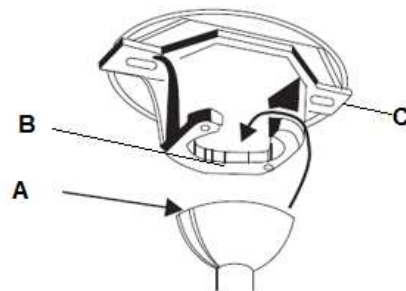


Fig. 5

## LIGHT KIT INSTALLATION (For models with fan light kit only)

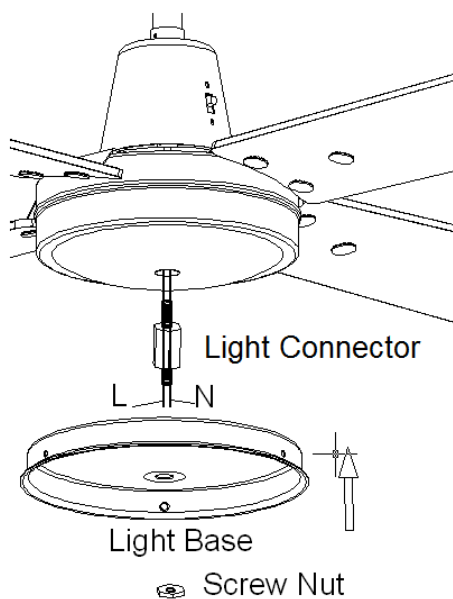


Fig. 6

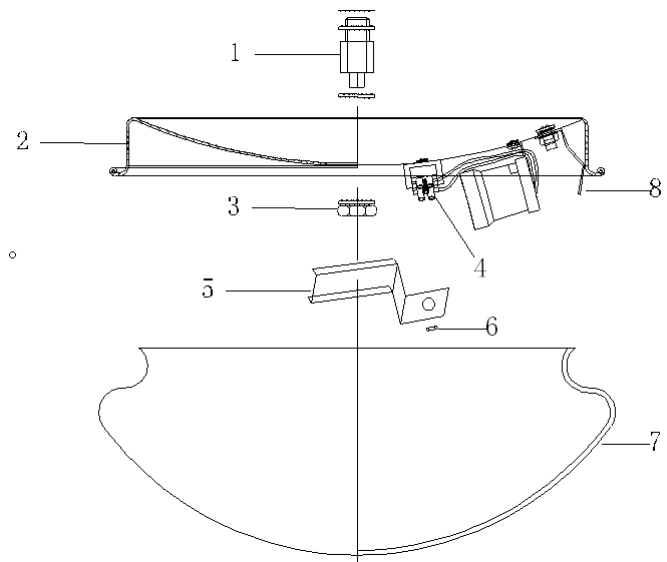


Fig. 7

1. Remove the decorative cover from the shaft at the base of the fan.
2. Pull the L and N wire out from the shaft.
3. Insert the L and N wires through the light connector (1).
4. Install the light connector onto the shaft and secure firmly with a spanner.
5. Install the light base (2) onto the copper connector (1) and secure by tightening the nut (3).
6. Connect the L and N wire from the fan to the terminal block (4).
7. Remove the nut (6) from the terminal block (4).
8. Install the wire protective cover (5) onto the terminal block (4) and secure with the nut (6). The wire protective cover(5) must cover the L and N wires from the motor shaft to the light kits terminal block (4).
9. Install a globe (not included) into the lamp holder. Do not exceed the maximum wattage rating.
10. Install the glass shade (7) onto the lamp base (2). Ensure it is secure using three spring clips (8).



## ELECTRICAL WIRING DIAGRAM

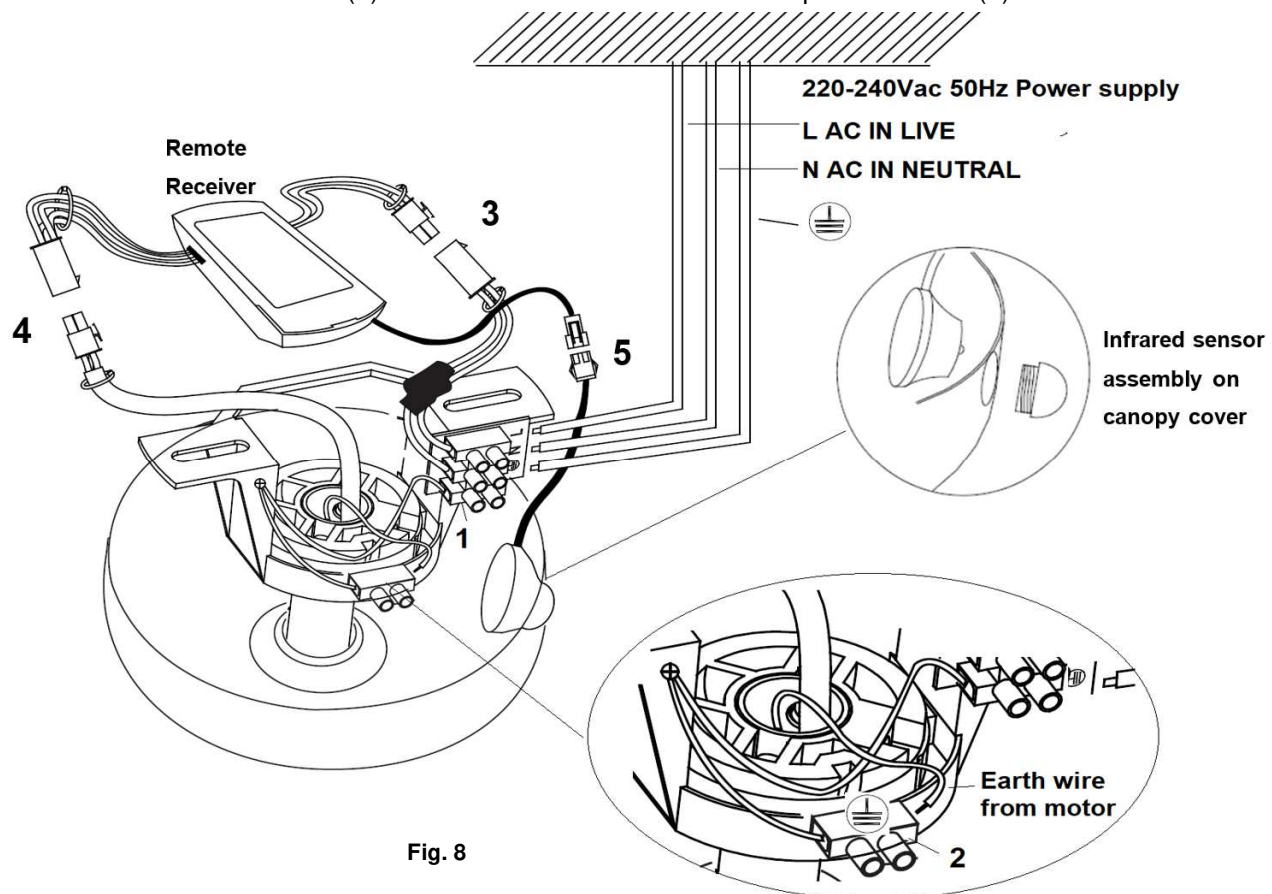
**WARNING:** FOR YOUR SAFETY ALL ELECTRICAL CONNECTIONS MUST BE UNDERTAKEN BY A LICENSED ELECTRICIAN.

**NOTE:** AN ADDITIONAL ALL POLE DISCONNECTION SWITCH MUST BE INCLUDED IN THE FIXED WIRING.

Ensure the motor earth wire is connected to the single earthing terminal block "2" in Fig. 8

Refer to Fig. 8 and following the wiring instruction below:

- Connect "LIVE" supply wire to the "L" of terminal block (1) on the mounting bracket. (Fig. 8)
- Connect "NEUTRAL" supply wire to the "N" of terminal block (1) on the mounting bracket. (Fig.8)
- Connect ground "EARTH" wire to the "⊕" of terminal block (1) on the mounting bracket. (Fig. 8)
- Connect motor "EARTH" wire from motor to the "⊕" of Earth terminal block (2) of the mounting bracket. (Fig. 8)
- Connect the output quick connector (4) from the receiver to the quick connector (4) from the fan body. (Fig. 8)
- Connect the quick connector (3) from the fan mounting bracket to the input quick connector (3) from the receiver.
- Connect the connector (5) from the infrared detector to the input connector (5) from Remote receiver.





## FINISHING THE INSTALLATION

- After completing the electrical connection at the mounting bracket terminal block, connect the ceiling fan wiring via the quick connector plug.
- Ensure the earth wiring is secure and correct, by performing an earthing continuity test from the fan's accessible metal body back to the earth terminal at the terminal block on the mounting bracket.
- Cover the mounting bracket with the canopy. Ensure all electrical wiring is tucked inside the canopy and that the wires are not damaged during this step. Secure the canopy to the hanger bracket using the screws provided. (Fig. 9)
- Switch ON mains power supply to the fan. Test the fan operations or enjoy using the fan following instructions the under "USING YOUR CEILING FAN" section of this instruction manual.

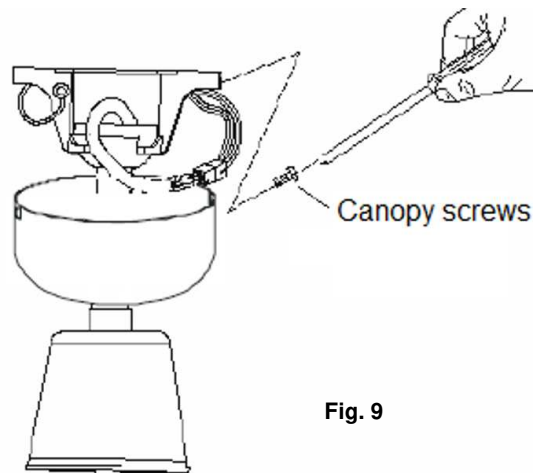


Fig. 9

## USING YOUR CEILING FAN

### BATTERY INSTALLATION

1. 1x CR2025 3V battery is required to operate the remote control.
2. Loosen the screw (6) and pull out the battery tray (2) by pressing the clip (1) and pulling out the battery tray together.
3. Place the battery (3) on the tray and insert the tray back into the remote hand set (4).
4. Ensure the polarity is correct as shown in the battery compartment. (5)
5. Reinstall the screw (6) to secure the battery tray (2).

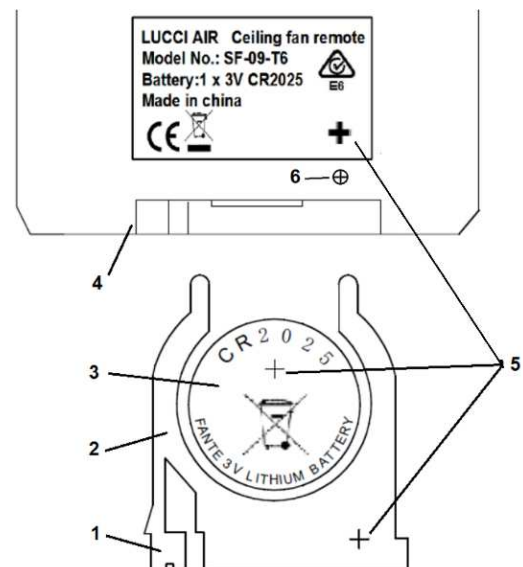


Fig. 10

## OPERATING THE REMOTE:

Before you start using the remote, take the time to read through this section and get familiar with the buttons and function of each button. (Fig.11)

### 1. IR TRANSMITTER

2. **HI** button: Press the button to set fan running at High speed.
3. **MED** button: Press the button to set fan running at Medium speed.
4. **LOW** button: Press the button to set fan running at Low speed.
5. **OFF** button: Press the button to turn OFF the fan.

6 / 7 / 8. **1Hr / 3 Hr / 6Hr** fan timer button: Press the button to activate the fan timer function, the fan will turn off after running 1 hour / 3 hours / 6 hours.

9. **LIGHT** button: Press the button to turn ON, **press again to turn OFF the light.**

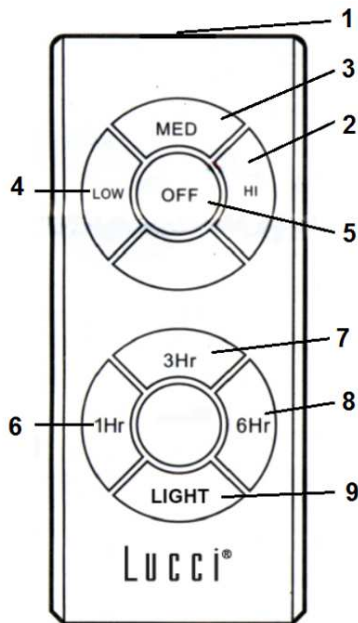


Fig. 11

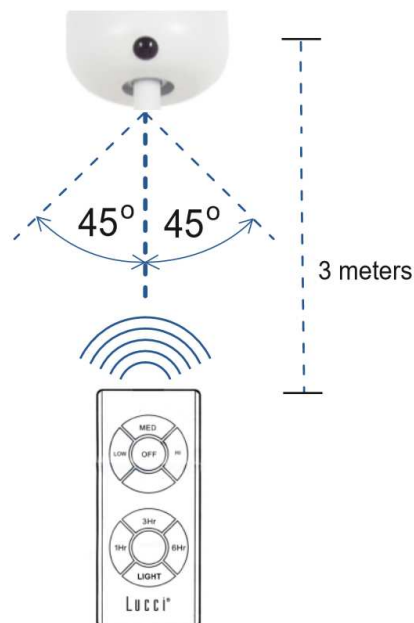


Fig. 12

The remote has memory function. If the fan or light is turned off by the isolating switch, it will memorise and recover the last status when turned on next.

### **Effective distance/location for IR remote control (Fig. 12)**

Left from center-line: Approximately 45 degrees

Right from center-line: Approximately 45 degrees

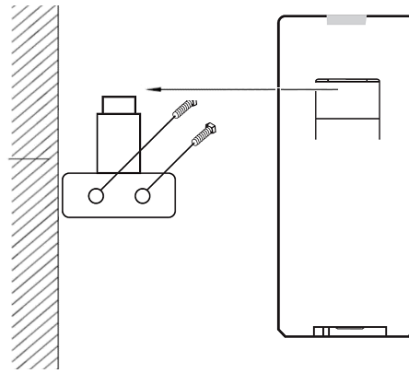
Distance from remote control to receiver: 5 meters max.



## **INSTALLING THE REMOTE HOLDER**

Install the holder onto the wall with the two screws provided, hang up the remote by the holder.

Fig. 13

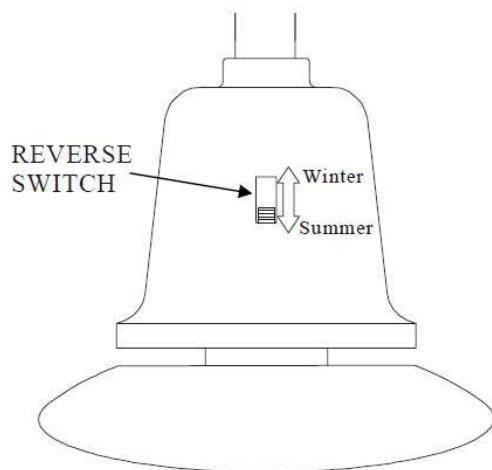


## **REVERSING SWITCH**

Your ceiling fan can operate in either summer or winter mode.

**SUMMER Mode:** The reverse switch should be in the SUMMER position to rotate the fan in an anticlockwise direction. The airflow will be directed downwards, for cooling in summer.

**WINTER Mode:** The reverse switch should be in the WINTER position to rotate the fan in a clockwise direction. The airflow will be directed upwards assisting in the circulation of warm air, for energy conservation in winter.



Reverse Switch

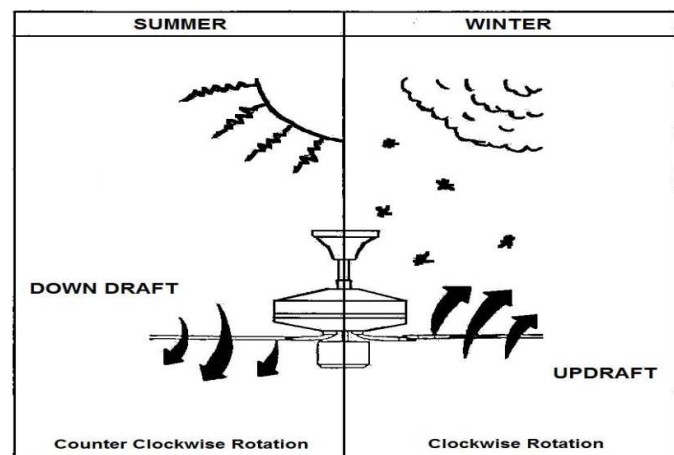


Fig. 14



**AFTER INSTALLATION****WOBBLE:**

NOTE: ceiling fans tend to move during operation due to the fact that they are mounted on a rubber grommet. If the fan was mounted rigidly to the ceiling it would cause excessive vibration. Movement of a few centimetres is quite acceptable and DOES NOT suggest any problem.

**TO REDUCE THE FAN WOBBLE:** Please check that all screws which fix the mounting bracket and down rod are secure.

NOTE: This fan has been precision balanced at the factory and will not need to be balanced again.

**NOISE:**

When it is quiet (especially at night) you may hear occasional small noises. Slight power fluctuations and frequency signals superimposed in the electricity for off-peak hot water control, may cause a change in fan motor noise. This is normal. Please allow a 24-hour “settling-in” period, most noises associated with a new fan disappear during this time.

The manufacturer’s warranty covers actual faults that may develop and NOT minor complaints such as hearing the motor run – All electric motors are audible to some extent.

**CARE & CLEANING**

**NOTE: Always turn OFF the power at the mains switch before performing any maintenance or attempting to clean your fan.**

- Every 6 months periodic cleaning of your ceiling fan is the only maintenance required. Use a soft brush or lint free cloth to avoid scratching the paint finish. Please turn off electricity power when you do so.
- Do not soak or immerse your ceiling fan in the water or other liquids. It could damage the motor or the blades and create the possibility of an electrical shock.
- Ensure that the fan does not come in contact with any organic solvents or cleaners.
- To clean the fan blade, wipe with only a damp clean cloth with NO organic solvents or cleaners.
- The motor has a permanently lubricated ball bearing so there is no need to oil.

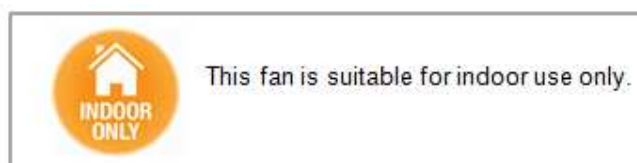


## **SAFETY PRECAUTIONS FOR BATTERY:**

- **WARNING** – Keep new and used batteries away from children.
- **CAUTION** – Do not ingest battery—Chemical burn hazard.
- To prevent false operation during battery insertion or replacement, this ceiling fan must be disconnected from the supply mains.
- Always use Lithium CR2025 battery type with this ceiling fan remote controller.
- Ensure the batteries are inserted with the correct polarity.
- **Batteries must be removed from the remote transmitter before it is discarded.**
- Dispose of exhausted batteries immediately and safely (so they cannot be retrieved by children). Flat batteries can still be dangerous. Contact your local council to safely dispose of the battery.
- Do not use rechargeable batteries in this product.
- Regularly check the product and make sure the battery box lid is correctly secured. If the battery compartment does not close securely, stop using the product and keep it away from children.
- Remove batteries from the product when not in use for long periods of time.
- If you think batteries might have been swallowed or placed inside any part of the body, seek immediate medical attention.
- If you suspect your child has swallowed or inserted a button battery, immediately call the 24-hour Poisons Information Centre on **13 11 26** for fast, expert advice.
- **Battery Leaks:** Battery contains chemicals and should be treated as any chemical would. Take precautions when handling leaked battery chemicals. Battery chemicals should not be placed near the eyes or ingested. Contact Poisons Information Centre on **13 11 26** for fast, expert advice.

## TECHNICAL INFORMATION

Fan Models	48" fan with light	52" fan with light
Rated Voltage	220-240V~ 50Hz	
Rated Wattage (Motor)	65W	75W
Rated wattage (Lamp)	E27, 1 x Max.60W (not included)	
<b>Battery for remote</b>	<b>Lithium CR2025</b>	
<b>Weight</b>	<b>7.0kg</b>	<b>7.6kg</b>
Canopy Dimensions	H:61mm    Dia:130mm	



## LUCCI CEILING FAN WARRANTY DETAIL

LUCCI WARRANTY HOTLINE- 1800 602 243

**THIS WARRANTY IS VALID IN AUSTRALIA ONLY**

In the event of service being required, please call the Lucci Fan Warranty Hotline on 1800 602 243 between 9am & 5pm (EST) Monday to Friday. Please make sure you have all the ceiling fan details filled out at the end of the manual before making the call.

Every Lucci ceiling fan is thoroughly inspected and tested before being released for sale. In addition to any warranty rights or conditions under statutory regulations, Lucci warrants all of its ceiling fans against defective workmanship and faulty materials for twenty four (24) months from the date of purchase. Lucci undertakes, at its option, to repair or replace, free of charge, each product or part thereof on condition that;

1. The fan or relevant part has not been subjected to misuse, neglect, or been involved in an accident.
2. The repairs are not required as a result of normal wear and tear.
3. The product was installed by a licensed electrical contractor.
4. A copy of the original receipt of purchase is presented.
5. 12 month warranty applies when used in any non-domestic applications.
6. This warranty does not cover stains, scratch and scuff marks, or dents if the product is purchased through a factory outlet or to refurbished items.

Our goods come with guarantees that cannot be excluded under the Australian Consumer Law. You are entitled to a replacement or refund for a major failure and compensation for any other reasonably foreseeable loss or damage. You are also entitled to have the goods repaired or replaced if the goods fail to be of acceptable quality and the failure does not amount to a major failure.

**Lucci Design cannot be held responsible for any repair other than those carried out by it or one of its Authorised Service Agents. Please keep this warranty information in a safe place. This information must be produced in the event of service being required.**

**Distributed by:**

Beacon Lighting  
140 Fulton Drive  
Derrimut, Victoria, 3026  
Australia  
Ph +613 9368 1000  
Fax +613 9360 9332  
Email: [warranty@beaconlighting.com.au](mailto:warranty@beaconlighting.com.au)



## CEILING FAN WARRANTY INFORMATION

LUCCI WARRANTY HOTLINE- 1800 602 243

Complete and retain this form for your personal records and warranty purposes.

NAME.....

ADDRESS.....

.....POSTCODE.....

MODEL NUMBER.....

PO NUMBER or DATECODE ..... (PO# + DATECODE Sticker here)

DATE OF PURCHASE.....

INSTALLING LICENSED ELECTRICIAN.....

.....

LICENCE No.....

ATTACH PROOF OF PURCHASE HERE

THIS COMPLETED DETAIL PAGE SHOULD BE PRODUCED AND FAXED TO THE WHOLESALE OR THEIR AUTHORISED AGENTS BEFORE OBTAINING WARRANTY SERVICE

