

## **FANAWAY ORBIT DC CEILING FAN**

- **INSTALLATION**
- **OPERATION**
- **MAINTENANCE**
- **WARRANTY INFORMATION**

### **CAUTION**

**READ INSTRUCTIONS CAREFULLY FOR SAFE  
INSTALLATION AND FAN OPERATION.**

## THANK YOU FOR PURCHASING

Thank you for purchasing the latest in energy saving ceiling fans. This fan runs on DC (direct current) power which gives it the benefit of being super energy efficient whilst still maintaining high volume air-movement and silent operation.

**Energy saving** - The DC motor is the latest technology in fan design. Its highly efficient motor saves up to 65% more energy than ceiling fans with traditional AC motors.

**Silent operation** – This DC fan motor is programmed with a stabilised current which efficiently reduces motor noise.

**Low operating temperature** – The DC power is managed effectively which brings down the motor operating temperature to less than 50°C. This results in a much cooler motor than a standard AC fan and increases the longevity of the motor.

**6 speed remote control** - Regular AC ceiling fans usually come with only 3 speeds, this DC fan comes complete with a 6 speed remote, which gives a greater choice of comfort levels.

## SAFETY PRECAUTIONS

1. The appliance is not intended for use by persons (including children) with reduced physical, sensory or mental capabilities, or lack of experience and knowledge, unless they have been given supervision or instruction concerning the use of the appliance by a person responsible for their safety.
2. Children should be supervised to ensure that they do not play with the appliance.
3. An all-pole disconnection switch must be incorporated into the fixed wiring, in accordance with local wiring rules.

### IN AUSTRALIA

#### WARNING:

**FOR SAFE USE OF THIS FAN AN ALL-POLE DISCONNECTION  
MUST BE INCORPORATED INTO THE FIXED WIRING IN  
ACCORDANCE WITH THE WIRING RULES.**

As outline in clause 7.12.2 of AS/NZS 60335-1 for meeting the minimum electrical safety of this standard.

Please note warranty will be void if installation is without a means for




an all-pole disconnection incorporated in the fixed wiring in accordance with the wiring rules.

Example: If a fan is connected to a circuit that can be isolated via an all-pole safety switch at the switchboard, then this is considered to be an all-pole disconnection to the ceiling fan electrical circuit, meeting the requirements of clause 7.12.2 of AS/NZS 60335.1.

**A single-pole switch on the active of the receiver input of remote control must also be included in the wiring, and located the same room as the ceiling fan.**



4.  Do not dispose of electrical appliances as unsorted municipal waste, use separate collection facilities. Contact your local government for information regarding the collection systems available. If electrical appliances are disposed of in landfills or dumps, hazardous substances can leak into the ground water and get into the food chain, damaging your health and well-being.
5. The structure to which the fan is to be mounted must be capable of supporting a weight of 32 kg.
6. The fan should be mounted so that the blades are at least 2.1 m above the floor in Australia.
7. This fan is suitable for indoor use only. Mounting the fan in a location where it is subject to water or moisture is dangerous and may increase the risk of damage, injury or electrical shock and will void the warranty.
8. Must be assembled and installed by a licensed electrician.
9. WARNING: If unusual wobbling or oscillating movement is observed, immediately stop using the ceiling fan and contact the manufacturer, its service agent or suitably qualified persons.
10. The replacement of parts of the safety suspension system device shall be performed by the manufacturer, its service agent or suitably qualified persons.
11. The fixing means for attachment to the ceiling such as hooks or other devices shall be fixed with a sufficient strength to withstand 4 times the weight of the ceiling fan; that the mounting of the suspension system shall be performed by the manufacturer, its service agent or suitably qualified persons.
12. The light source contained in the luminaire is non-user replacable. It shall only be replaced by the manufacturer or his service agent or similar qualified person. The shade of the Light kit assembly MUST NOT be removed during cleaning, maintenance or any other circumstances.



## PARTS LIST

- Unpack your ceiling fan carefully. Remove all parts and hardware.
- Lay out all the components on a smooth surface and make sure there are no components missing before assembling. If parts are missing, return the complete product to the place of purchase for inspection or replacement.
- Check whether the ceiling fan has been damaged during transport. Do not operate/install any product which appears damaged in any way. Return the complete product to the place of purchase for inspection, repair or replacement.
- Examine all parts, you should have the following:

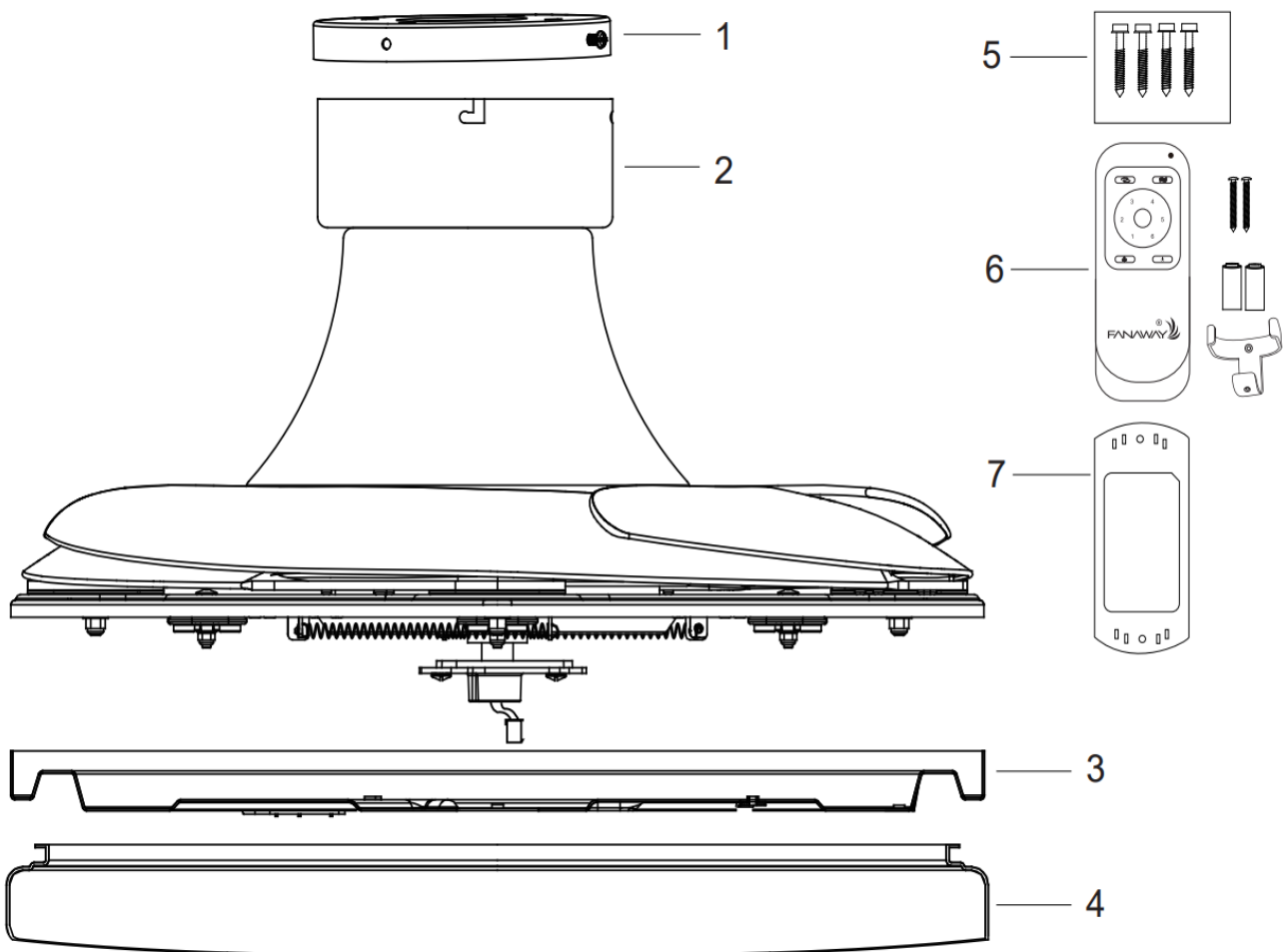


Fig. 1

1	Mounting bracket x 1	5	Mounting screws x 4 pcs
2	Fan assembly x 1	6	Remote set x 1 set
3	Light kit plate x 1	7	Receiver x 1 set
4	Light kit assembly with LED and shade x 1		



## INSTALLING THE FAN

### TOOLS REQUIRED:

- Phillips / flat head screwdriver
- Pair of pliers
- Adjustable spanner
- Step ladder
- Wire cutter
- Wiring, supply cable as required by local provincial and national wiring codes and regulations

### INSTALLING THE MOUNTING BRACKET

- The ceiling fan must be installed in a location so that the blades are spaced 300mm from the tip of the blade to the nearest objects or walls.
- Install the hanging bracket to the ceiling joist or structure that is capable of carrying a load of at least 32kg, with the 4 long screws provided. Ensure at least 30mm of the screw is threaded into the support. (Fig. 2)

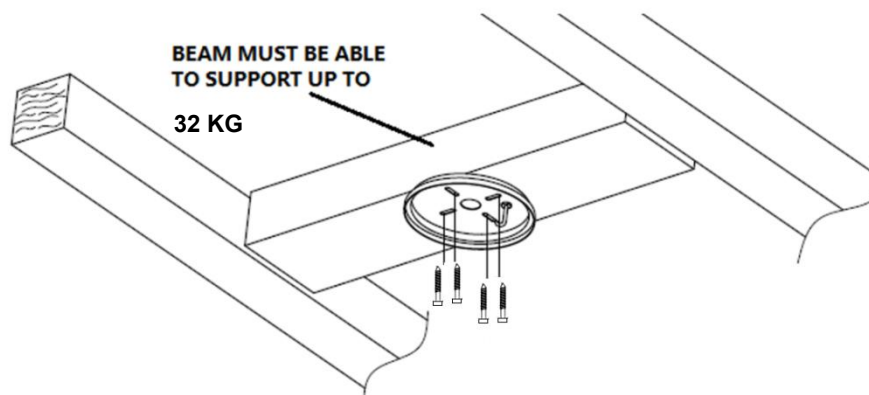


Fig. 2

**NOTE: The bracket screws provided are for use with wooden structures only. For structures other than wood, the appropriate screw type MUST be used. Ensure the screws used are suitable for the mounting surface and the surrounding environment.**

### ANGLED CEILING INSTALLATION

The hanging system of this fan is **ONLY** suitable for flat ceiling installation.

**DO NOT install the fan on an angled ceiling.**



## **HANGING THE FAN ASSEMBLY**

- Lift the fan assembly (1) up to the mounting bracket. Hang the fan assembly onto the J-hook (2) of the mounting bracket. (Fig.3)

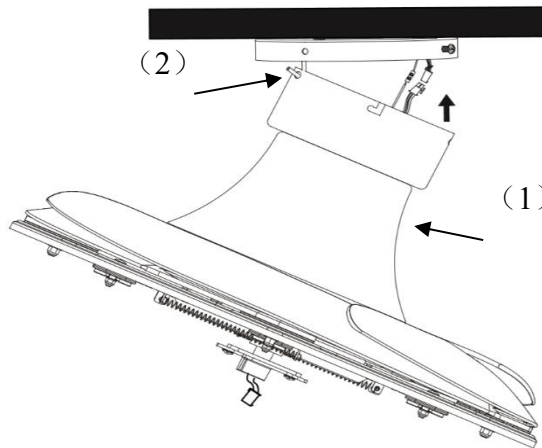


Fig. 3

- Complete the electrical wiring according to the 'ELECTRICAL WIRING DIAGRAM' section below.

## **PREPARE AND COMPLETE THE ELECTRICAL WIRING --- WIRING DIAGRAM (FIG. 4)**

**WARNING:** FOR YOUR SAFETY ALL ELECTRICAL CONNECTIONS MUST BE UNDERTAKEN BY A LICENSED ELECTRICIAN.

**NOTE:** AN ADDITIONAL ALL POLE DISCONNECTION SWITCH MUST BE INCLUDED IN THE FIXED WIRING.

**NOTE:** IF THERE ARE TWO OR MORE DC CEILING FANS INSTALLED IN THE ONE LOCATION, AN ISOLATION SWITCH IS REQUIRED FOR EACH CEILING FAN. THIS IS REQUIRED WHEN PROGRAMMING THE REMOTE AND RECEIVER TO PAIR TOGETHER.

**NOTE:** Ensure the motor earth wire is connected to the single earthing terminal block "1" in the diagram below.

(Fig. 4)

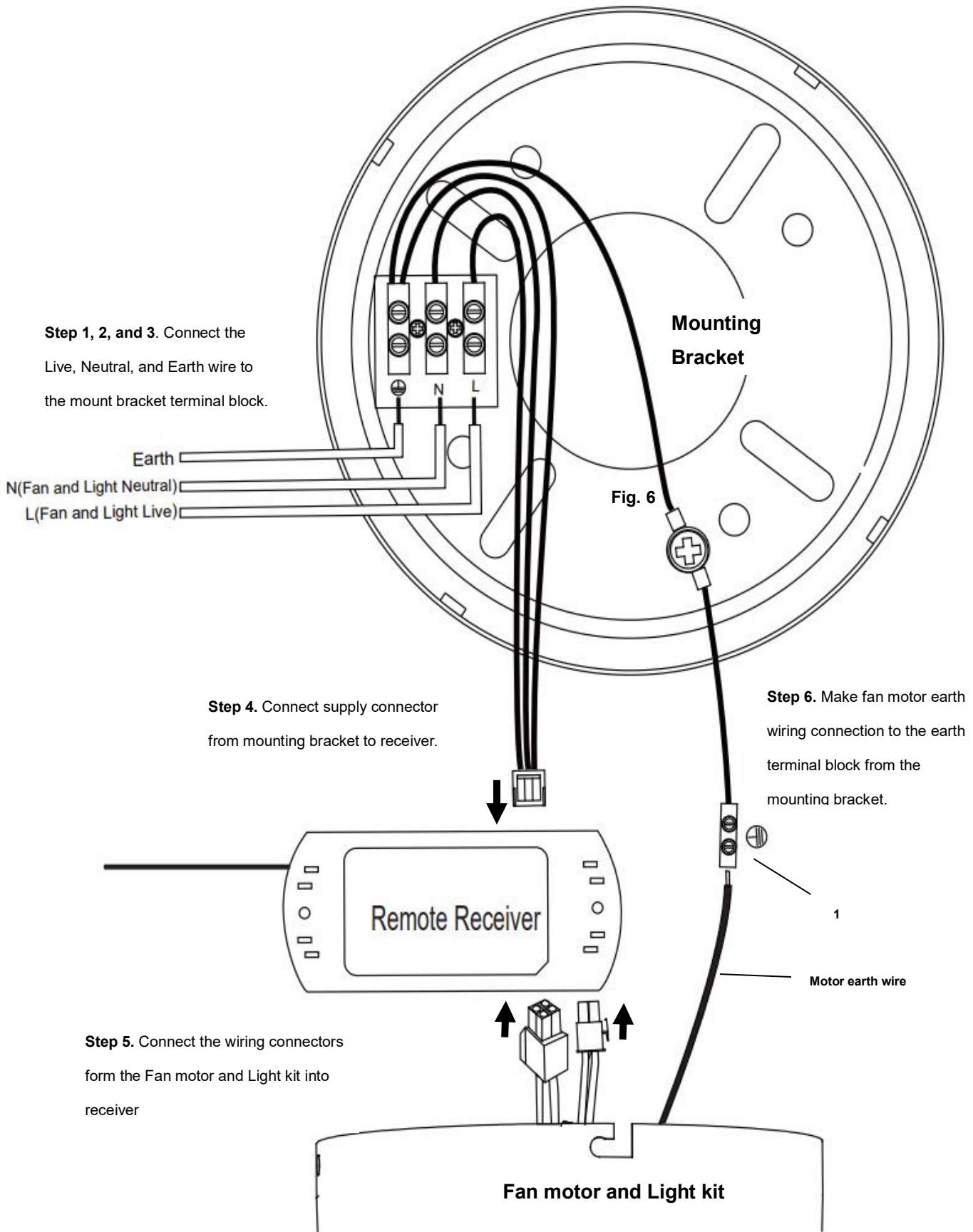
### **From mains supply to mounting bracket terminal block:** (Fig. 4)

1. Connect the live supply wire to the "L" terminal of the terminal block on the mounting bracket.
2. Connect the neutral supply wire to "N" terminal of the terminal block on the mounting bracket.
3. Connect earth wire to the earth terminal of the terminal block on the mounting bracket.

### **From mounting bracket to receiver and motor:** (Fig. 4)

4. Connect the supply wiring connector from the mounting bracket to the input of the DC motor driver/receiver.
5. Connect the 2 input wires connectors of the fan motor and the light kit into DC motor driver/receiver .
6. Connect the earth wire from the Fan motor to the terminal block from the mounting bracket in the step 6.





**Fig. 4**

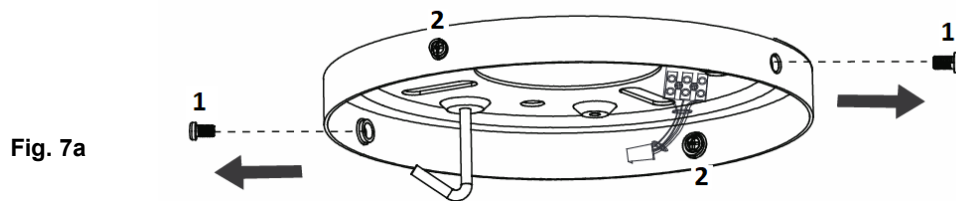


## INSTALL THE FAN ASSEMBLY TO THE MOUNTING BRACKET

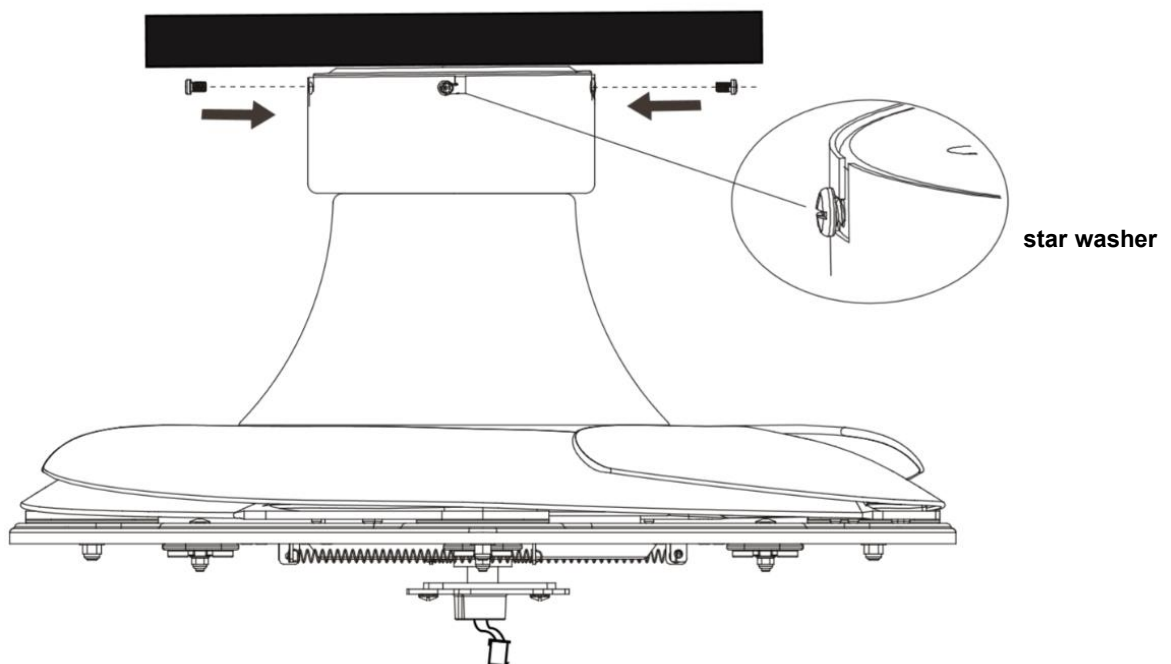
- After completing the electrical connection at the mounting bracket terminal block, connect the ceiling fan wiring via the quick connector plug.
- **NOTE: Ensure the earth wiring is secure and correct, by performing an earthing continuity test from the fan's accessible metal body back to the earth terminal at the terminal block on the mounting bracket.**

Install the fan assembly to the mounting bracket (Fig.7a):

- Loosen two canopy screws (1) and remove from the mounting bracket.
- Loosen two canopy screws with star washer (2) by half thread from the mounting bracket. (For L-shape slot on canopy to be mounted).



- Lift the hanging canopy (3) of the fan assembly up to the mounting bracket and let the L-shape slot on the hanging canopy (3) go through the two canopy screws with star washer (2).
- Turn the hanging canopy (3) until it locks in place at the end section of the L-shape slot, ensure the star washer are between the hanging canopy (3) and screw head. Secure it by tightening the two canopy screws with star washer (2).
- Secure and tighten the canopy screws (1) to the mounting bracket. The hanging canopy (3) shall have 4 screws (1) & (2) in total. Avoid damaging the electrical wiring prepared previously when hanging the canopy.





**LIGHT KIT INSTALLATION**

**LIGHT KIT INSTALLATION (Fig. 6 & 7)**

1. Loosen the screw (2) from the fan bracket. Align the two slot screws (1 and 3) with the keyhole slots (1 and 3) of the light kit plate . (Fig. 6)
2. Turn the light kit plate counterclockwise until the slot screws(1 and 3) are firmly at the end of the slots (1 and 3).
3. Secure screw (2) to the light kit plate. Tighten all three screws. Do not over-tighten.

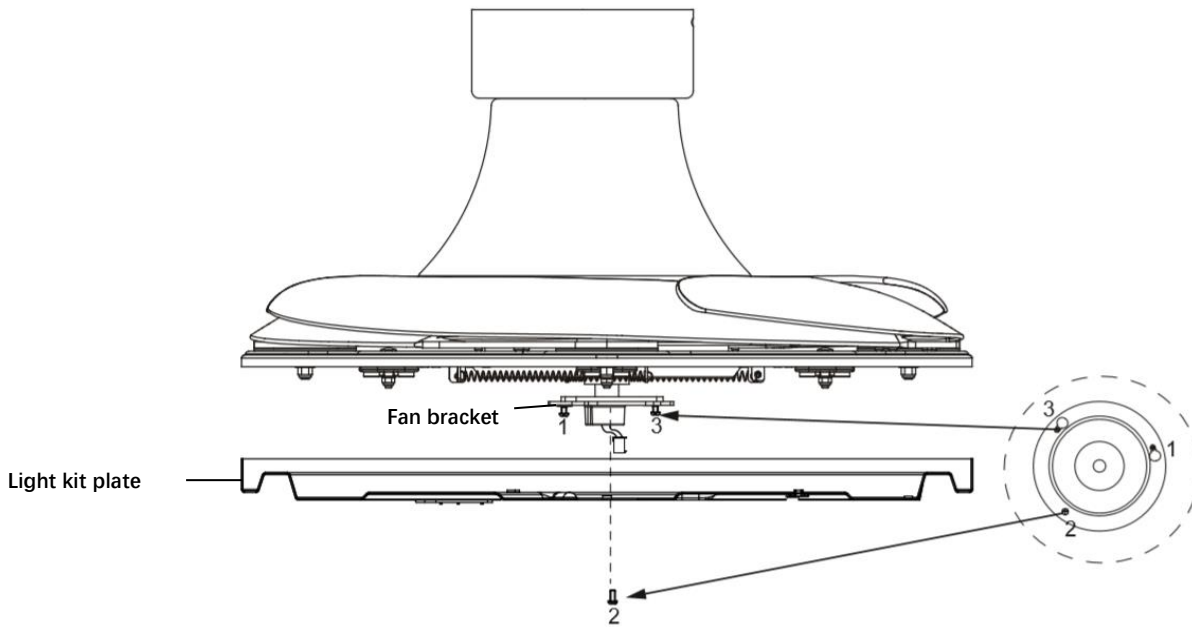


Fig. 6

4. Connect the quick connector to the light kit assembly with LED and shade . (Fig. 7)
5. Finally install the light kit assembly with LED and Shade to the laight kit plate by turning it clockwise (Fig. 7)

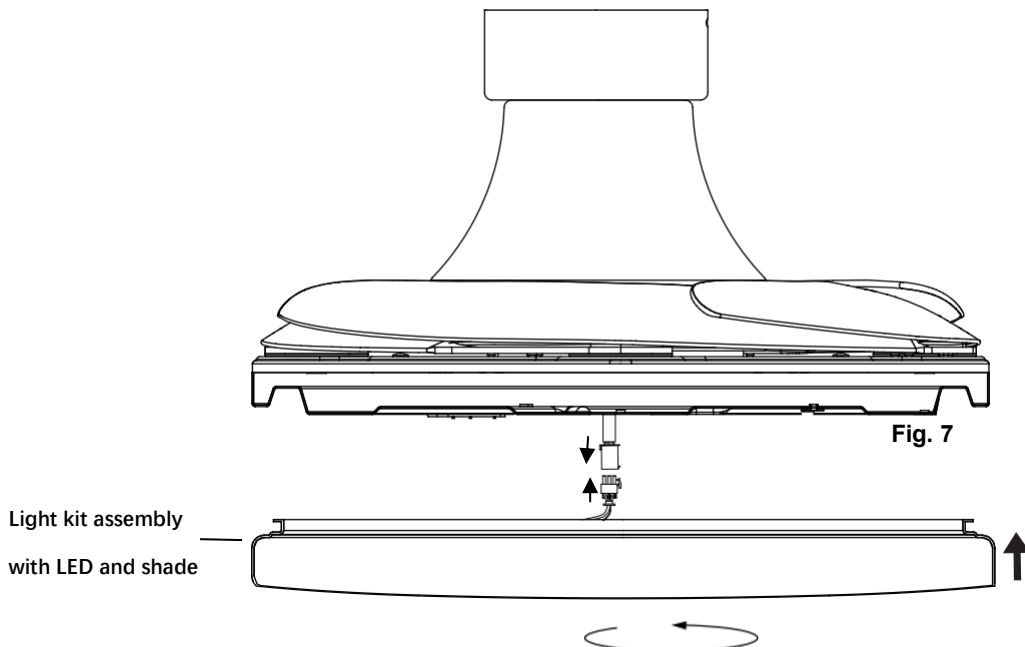
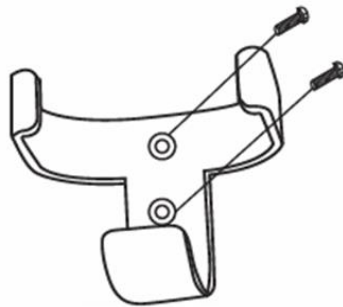


Fig. 7

## **INSTALLATION OF THE REMOTE CONTROL HOLDER (Fig. 9)**

1. Locate a suitable wall to fix the remote control holder with the 2 screws. (Fig.9a).
2. Slide the remote into the holder. (Fig. 9b)



**Fig. 9a**



**Fig. 9b**

## **USING YOUR CEILING FAN**

**NOTE:** The remote and receiver will need to be paired after the installation of the ceiling fan.

**NOTE:** When two or more ceiling fans are installed in one location, please refer to the instruction on the next page.

## **PAIRING REMOTE & RECEIVER – WHEN 1 DC CEILING FAN IS INSTALLED IN ONE LOCATION**

**NOTE:** Ensure that you have installed a single pole disconnection switch in the fixed wiring for the fan.

**NOTE:** Ensure power to the receiver is ON prior to pairing the remote with the receiver.

- Turn OFF the mains supply to the fan by on/off wall switch.
- Install the batteries into the remote. Please make sure the polarity of the battery is correct.
- Turn ON the power to the receiver.
- Press and hold the button on the remote for 3-5 seconds within 30 seconds of switching the power ON to the receiver of the ceiling fan.
- There will be a notification 'beep' sound from the receiver to indicate that the pairing process is successful.
- Turn ON the fan and change the speed of the ceiling fan via the remote to check the operation and



successful pairing.

- If pairing has been unsuccessful, repeat these set of steps again.


## **PAIRING REMOTE AND RECEIVER – WHEN 2 OR MORE DC CEILING FANS ARE INSTALLED IN ONE LOCATION**

When two or more ceiling fans are located near each other, you may desire to have the remote/receiver for each fan paired so that the operation of one fan does not affect the operation of the other fans.


**NOTE:** Ensure that you have installed a single pole disconnection switch in the fixed wiring for each fan.

**NOTE:** Ensure power to the Receiver is **ON** prior to pairing the remote with the receiver.

### **Remote / Receiver pairing for ceiling fan 1:**

- Turn OFF the mains supply to the receivers of both ceiling fans 1 and 2.
- Install the batteries into the remote. Please make sure the polarity of the battery is correct.
- Turn ON the power to receiver 1. Keep the power OFF to receiver 2. (Each ceiling fan must have its own isolation switch, so that only the ceiling fan that needs to be paired with the remote will be ON).
- Press and hold the “” button of **remote 1** for 3-5 seconds within 30 seconds of switching the power ON to the receiver of ceiling fan 1.
- There will be a notification ‘beep’ sound from the receiver to indicate that the pairing process is successful.
- Turn ON the fan and change the speed of the ceiling fan 1 by the remote to check the operation and successful pairing.
- If pairing has been unsuccessful, repeat these set of steps again

### **Remote / Receiver pairing for Ceiling fan 2:**

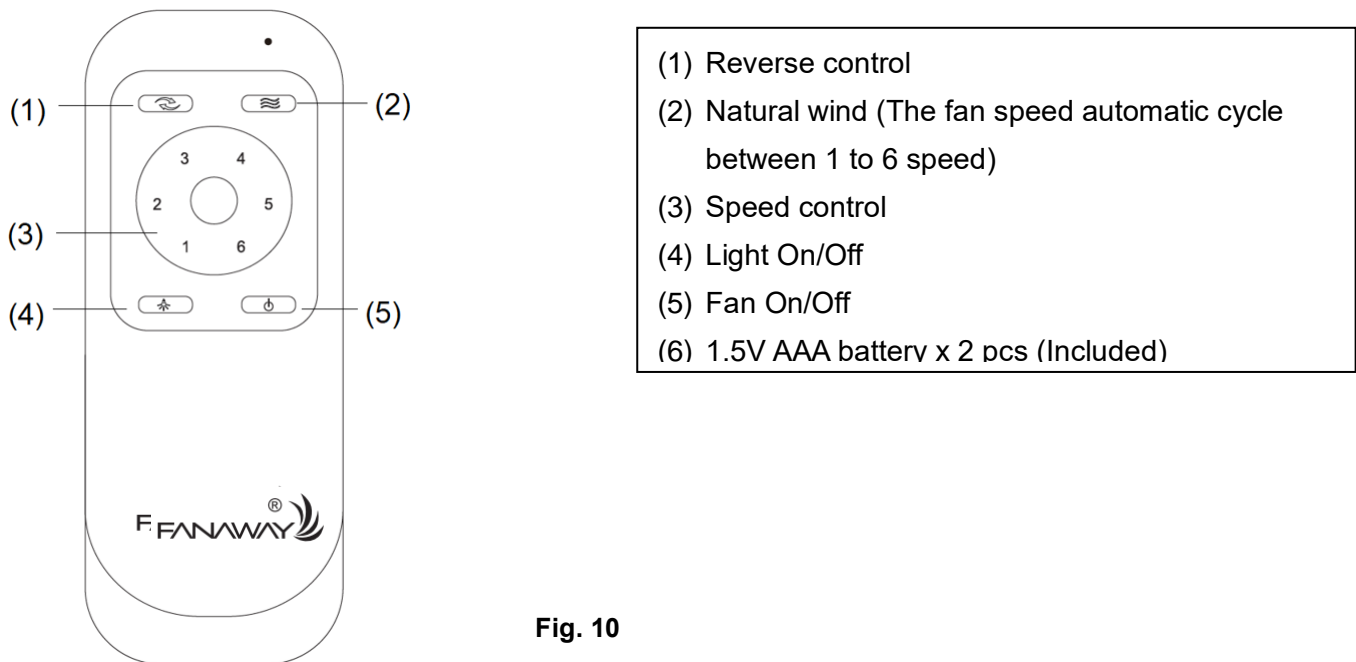
- Turn OFF the mains supply to the receivers of both ceiling fans 1 and 2.
- Install the batteries into the remote. Please make sure the polarity of the battery is correct.
- Turn ON the power to receiver 2. Keep the power OFF to receiver 1. (Each ceiling fan must have its own isolation switch, so that only the ceiling fan that needs to be paired with the transmitter will be ON).
- Press and hold the “” button of **remote 2** for 3-5 seconds within 30 seconds of switching the power ON to the receiver of ceiling fan 2.
- There will be a notification ‘beep’ sound from the receiver to indicate that the pairing process is successful.



- Turn ON the fan and change the speed of ceiling fan 2 by the remote to check the operation and successful pairing.

If pairing has been unsuccessful, repeat these set of steps again.

## **REMOTE CONTROL (Fig. 10)**



**Fig. 10**

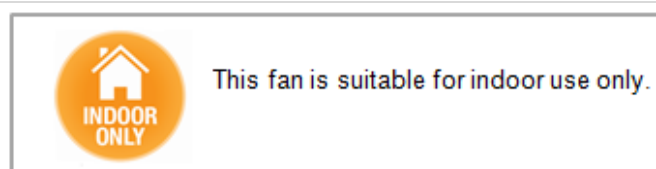
The LED light has a 3-step dimming function which is controlled by remote Light ON/OFF button. When the LED light is ON and at 100% brightness, press the light button “ON and then OFF within 5 seconds”, to dim the LED light. Repeat pressing Light button ON and then OFF within 5 seconds to dim further in the following sequence: 100% brightness → 60% brightness → 10% brightness → 100% brightness.

To switch back to 100% brightness at any stage, turn OFF the luminaire, and then wait after 5 seconds turn ON the luminaire, it will reset to 100% brightness.

## **REPAIRING THE REMOTE & RECEIVER PAIRING – WHEN 1 CEILING FAN IS INSTALLED**

- If the remote and receiver lose control after installation or during use, the pairing of the remote and the receiver must be repaired.
- Below are the operating symptoms and the steps to repair the pairing of the remote and receiver.

### **Symptoms:**



- Loss of control - Fan is only running at high speed after installation
- Loss of control - No reverse function after installation
- Loss of control - Remote cannot communicate with the receiver

## Repairing Steps:

- Switch OFF the main power to the ceiling fan for 30 seconds.
- Switch ON the main power of the ceiling fan. Follow the same process as described in the 'Pairing remote & receiver' section to repair the pairing.
- Turn on and select the different speed of the ceiling fan to check the operation of the fan.

## AFTER INSTALLATION

### WOBBLE:

NOTE: ceiling fans tend to move during operation due to the fact that they are mounted on a rubber grommet. If the fan was mounted rigidly to the ceiling it would cause excessive vibration. Movement of a few centimetres is quite acceptable and DOES NOT suggest any problem.

### **TO REDUCE THE FAN WOBBLE:**

Please check that all screws which fix the mounting bracket .

NOTE: This fan has been precision balanced at the factory and will not need to be balanced again.

### NOISE:

When it is quiet (especially at night) you may hear occasional small noises. Slight power fluctuations and frequency signals superimposed in the electricity for off-peak hot water control, may cause a change in fan motor noise. This is normal. Please allow a 24-hour "settling-in" period, most noises associated with a new fan disappear during this time.

Please note that this is not a product fault and as such is not covered under warranty – All electric motors are audible to some extent.

## CARE & CLEANING

**NOTE: Always turn OFF the power at the mains switch before performing any maintenance or attempting to clean your fan.**

- Every 6 months periodic cleaning of your ceiling fan is the only maintenance required. Use a soft brush or lint free cloth to avoid scratching the paint finish. Please turn off electricity power when you do so.
- Do not soak or immerse your ceiling fan in the water or other liquids. It could damage the motor or the blades and create the possibility of an electrical shock.
- Ensure that the fan does not come in contact with any organic solvents or cleaners.
- To clean the fan blade, wipe with only a damp clean cloth with NO organic solvents or cleaners.



- The motor has a permanently lubricated ball bearing so there is no need to oil.

## SAFETY PRECAUTIONS FOR BATTERY

- **WARNING** – Keep new and used batteries away from children.
- **CAUTION** – Do not ingest battery—Chemical burn hazard.
- Always use 2 x AAA battery type with this ceiling fan remote controller.
- Ensure the batteries are inserted with the correct polarity.
- To prevent false operation during battery insertion or replacement, this ceiling fan must be disconnected from the supply mains.
- Remove batteries from the product when not in use for long periods of time.
- Batteries must be removed from the remote transmitter before it is discarded.
- Dispose of exhausted batteries immediately and safely (so they cannot be retrieved by children). Batteries can still be dangerous. Contact your local council to safely dispose of the battery.
- Regularly check the product and make sure the battery box lid is correctly secured. If the battery compartment does not close securely, stop using the product and keep it away from children.
- If you think batteries might have been swallowed or placed inside any part of the body, seek immediate medical attention. If you suspect your child has swallowed or inserted a button battery, immediately call the 24-hour Poisons Information Centre on **13 11 26** for fast, expert advice.
- Battery Leaks: Battery contains chemicals and should be treated as any chemical would. Take precautions when handling leaked battery chemicals. Battery chemicals should not be placed near the eyes or ingested. Contact Poisons Information Centre on **13 11 26** for fast, expert advice.

## TECHNICAL INFORMATION

Fan	36" DC fan – Fanaway Orbit
Fan Models	LD-36 CTC FAN (SKU# 210664 / 210665 / 210666 )
Rated Voltage	220-240V~ 50Hz
Rated Wattage (Motor)	25W
Rated wattage (Lamp)	25W, 2000 LM, 3000K, Dimmable(3-step dimming)
Battery for remote	2 x AAA (Included)
Weight	7.2kg
Canopy Dimensions	H:60mm Dia:150mm



## Warranty

### THIS WARRANTY IS VALID IN AUSTRALIA ONLY

**Note:**

Please complete the following details when you have unpacked the product and retain this card with the purchase invoice or sales docket.

**Warranty**

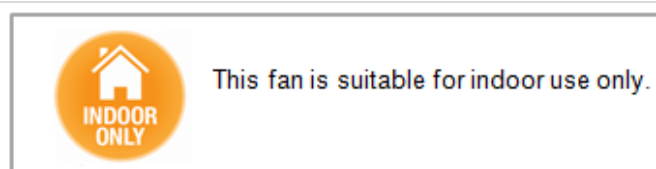
These products are covered by a Warranty in addition to all rights available to you by statute. The Warranty is for a period of twenty four (24) months from the date of purchase, subject to the following conditions. Fanaway undertakes, at its option, to repair or replace, free of charge, each product or part thereof subject to the following conditions. The conditions abovementioned are:

1. That the purchaser carefully follows all instructions provided and complies with electrical wiring regulations;
2. That the purchaser carefully follows the installation instructions provided in the owner's handbook relating to the proper use and care of the product and does not use the product for any purpose other than the domestic use for which it has been designed;
3. That the product was purchased and is installed in Australia;
4. That this Warranty does not extend to:
  - A. Optional light diffusers
  - B. Light globes
  - C. Damage to plastic light dome caused by inappropriate cleaning
  - D. Damage to surface coatings caused by cleaning or maintenance using inappropriate cleaning products
  - E. Defects caused by normal wear and tear, accident, negligence, alteration or misuse;
  - F. A product dismantled, repaired or serviced by any serviceman other than an authorized employee or agent of Fanaway
  - G. Product installed by an unqualified person. Must be a qualified electrician in Australia
  - H. Damage or defects caused by fans being installed externally.

**(FANS ARE DESIGNED FOR INDOOR USE ONLY).**

5. The provisions of this warranty do NOT apply to other Ceiling Fans.
6. The provision of service under this Warranty is limited by the boundary of the nearest service agent's area. Traveling cost incurred for the service outside this area is not covered by this warranty and will incur commercial cost to be paid by the customer regulated by the number of kilometers traveled beyond the service area.
7. The cost associated with the hire of extension ladders and scaffolding to service fans installed on ceilings greater than 3 meters will not be covered by this warranty. Such costs will be borne by the customer.

In the event of a service being required, please call the Lucci Warranty Service Hotline acting as the service agent for Fanaway on 1800 602 243 between 9AM and 5PM (E.S.T) Monday to Friday. Ensure you have the following details on hand. If you are unable to establish the date of purchase, or the fault is not covered by this Warranty, or if the product is found to be in working order, you will be required to bear all service call charges.



PRODUCT TYPE: .....  
MODEL NUMBER: .....  
SERIAL NUMBER: .....  
DATE OF PURCHASE: .....  
INVOICES/SALES DOCKET NO: .....  
PURCHASER'S NAME: .....  
PURCHASER'S ADDRESS: .....  
RETAILER'S/DEALER'S NAME: .....  
RETAILER'S/DEALER'S ADDRESS: .....  
INSTALLED BY: .....  
LICENCE NUMBER OF INSTALLER: .....  
PHONE NUMBER OF INSTALLER: .....  
DESCRIPTION OF FAULT: .....

Our goods come with guarantees that cannot be excluded under the Australian Consumer Law. You are entitled to a replacement or refund for a major failure and compensation for any other reasonably foreseeable loss or damage. You are also entitled to have the goods repaired or replaced if the goods fail to be of acceptable quality and the failure does not amount to a major failure.

## CONTACTS:

Contact Lucci Warranty Service Hotline acting as the service agent for Fanaway on 1800 602 243 between 9AM and 5PM (E.S.T) Monday to Friday, or go to Website: for more information.

Distributed by:

Beacon Lighting

140 Fulton Drive

Derrimut, Victoria, 3026

Australia

Ph +613 9368 1000

Fax +613 9360 9332

Email: [warranty@beaconlighting.com.au](mailto:warranty@beaconlighting.com.au)

