



**LUCCI
AIRFUSION TYPE A
DC CEILING FAN**

- **INSTALLATION**
- **OPERATION**
- **MAINTENANCE**
- **WARRANTY INFORMATION**

CAUTION
**READ INSTRUCTIONS CAREFULLY FOR SAFE
INSTALLATION AND FAN OPERATION.**

THANK YOU FOR PURCHASING

Thankyou for purchasing the latest in energy saving ceiling fans. This fan runs on DC (direct current) power which gives it the benefit of being super energy efficient whilst still maintaining high volume air-movement and silent operation.

Energy saving - The DC motor is the latest technology in fan design. Its highly efficient motor saves up to 65% more energy than ceiling fans with traditional AC motors.

Silent operation – This DC fan motor is programmed with a stabilized current which efficiently reduces motor noise.

Low operating temperature – The DC power is managed effectively which brings down the motor operating temperature to less than 50degs. This results in a much cooler motor than a standard AC fan and increases the longevity of the motor.

12 speed remote control. Regular AC ceiling fans usually come with only 3 speeds, this DC fan comes complete with a 12 speed remote, which gives greater choice of comfort levels.

SAFETY PRECAUTIONS

1. In Europe: This appliance can be used by children aged from 8 years and above and persons with reduced physical, sensory or mental capabilities or lack of experience and knowledge if they have been given supervision or instruction concerning the use of the appliance in a safe way and understand the hazards involved. Cleaning and maintenance shall not be undertaken by children without supervision.
2. In Australia: The appliance is not intended for use by persons (including children) with reduced physical, sensory or mental capabilities, or lack of experience and knowledge, unless they have been given supervision or instruction concerning the use of the appliance by a person responsible for their safety.
3. Children should be supervised to ensure that they do not play with the appliance.
4. An all-pole disconnection switch must be incorporated into the fixed wiring, in accordance with local wiring rules.

IN AUSTRALIA

WARNING:

FOR SAFE USE OF THIS FAN AN ALL-POLE DISCONNECTION MUST BE INCORPORATED INTO THE FIXED WIRING IN ACCORDANCE WITH THE WIRING RULES.

As outline in clause 7.12.2 of AS/NZS 60335-1 for meeting the minimum electrical safety of this standard.


Please note warranty will be void if installation is without a means for an all-pole disconnection incorporated in the fixed wiring in accordance with the wiring rules.



Example: If a fan is connected to a circuit that can be isolated via an all-pole safety switch at the switchboard, then this is considered to be an all-pole disconnection to the ceiling fan electrical circuit, meeting the requirements of clause 7.12.2 of AS/NZS 60335.1.

A single-pole switch on the active of the receiver input of remote control must also be included in the wiring, and located the same room as the ceiling fan.



5.  Do not dispose of electrical appliances as unsorted municipal waste, use separate collection facilities. Contact your local government for information regarding the collection systems available. If electrical appliances are disposed of in landfills or dumps, hazardous substances can leak into the groundwater and get into the food chain, damaging your health and well-being.
6. The structure to which the fan is to be mounted must be capable of supporting a weight of 40kg.
7. The fan should be mounted so that the blades are at least 2.3m above the floor in Europe or 2.1m above the floor in Australia.
8. This fan is designed for indoor use only. Mounting the fan in a location where it is subject to water or moisture is a hazard and will void the warranty.
9. Only a licensed electrician should execute the installation.



BEFORE INSTALLATION

Unpack your fan and check contents. You should have the following:

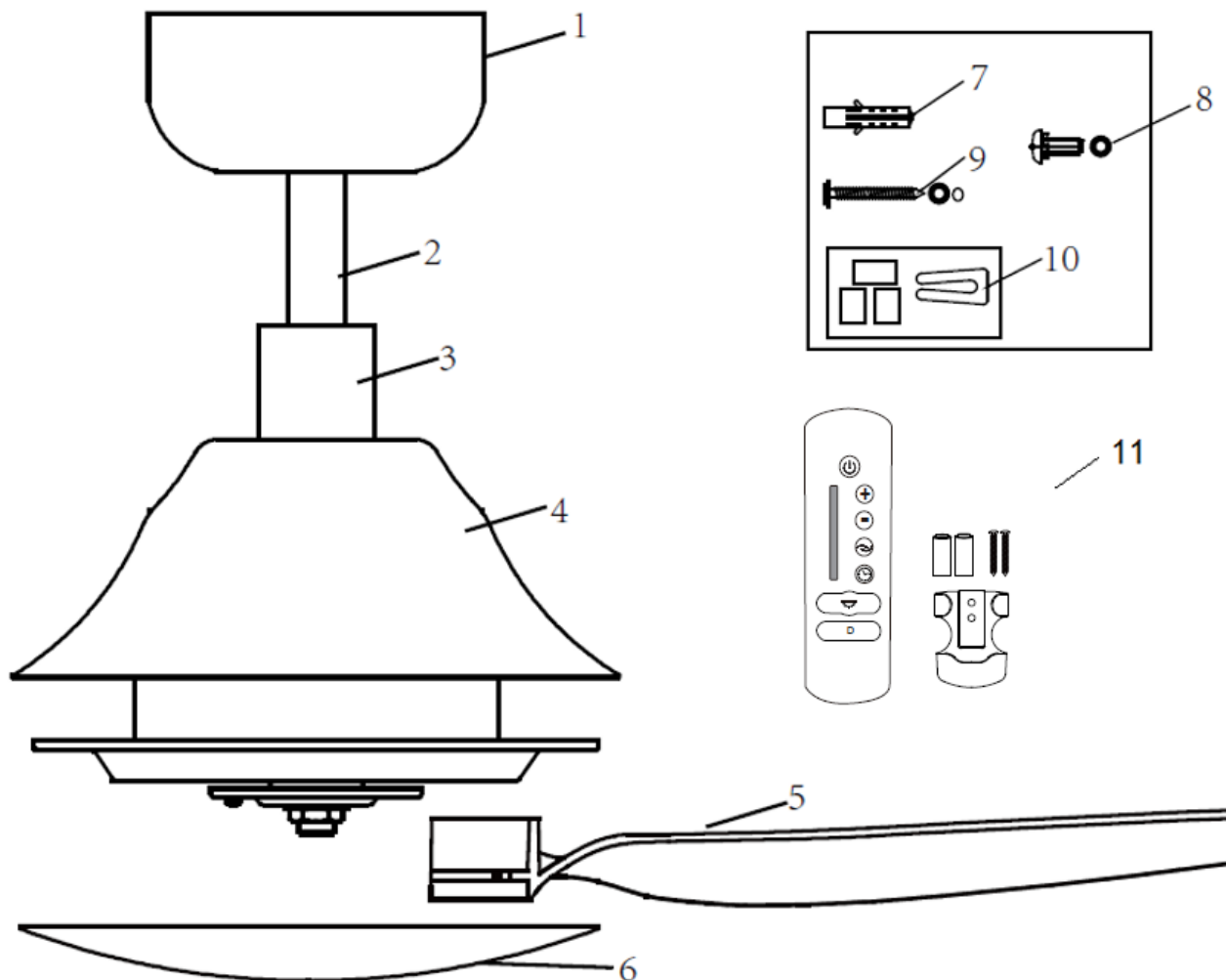


Fig. 1

- 1 Canopy x 1
- 2 Down rod x 1
- 3 Coupling cover x 1
- 4 Motor assembly x 1
- 5 Blades x 3
- 6 Bottom cover x 1
- 7 Plastic anchors x 2
- 8 Blades screws x10
- 9 Wood screws x 2
- 10 Balance kit x 1 set
- 11 Remote x 1 set (2 x 1.5VDC AAA Battery included)



INSTALLING THE FAN

TOOLS REQUIRED:

- Phillips / flat head screwdriver
- Pair of pliers
- Adjustable spanner
- Step ladder
- Wire cutter
- Wiring, supply cable as required by local provincial and national wiring codes and regulations.

INSTALLING THE MOUNTING BRACKET

The ceiling fan must be installed in a location so that the blades are 300mm spacing from the tip of the blade to the nearest objects or walls.

Secure the hanging bracket to the ceiling joist or structure that is capable of carrying a load of at least 40kg, with two long screws provided. Ensure at least 30mm of the screw is threaded into the support.

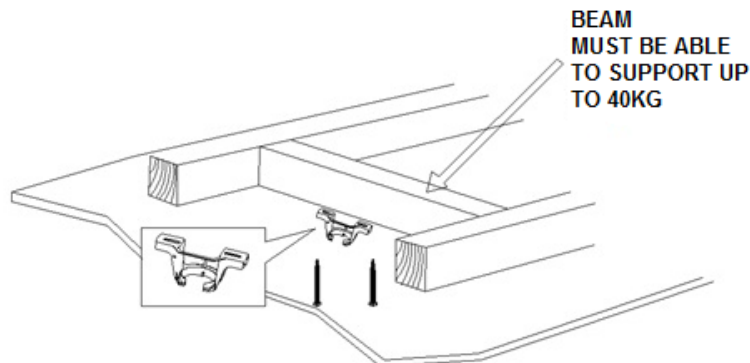


Fig. 2

NOTE: THIS PICTURE IS FOR REPRESENTATION ONLY AND DOES NOT REPRESENT THE ACTUAL BRACKET.

NOTE: The bracket screws provided are for use with wooden structures only. For structures other than wood, the appropriate screw type MUST be used.

ANGLED CEILING INSTALLATION

This fan hanging system supports a maximum 18 degree angled ceiling installation.

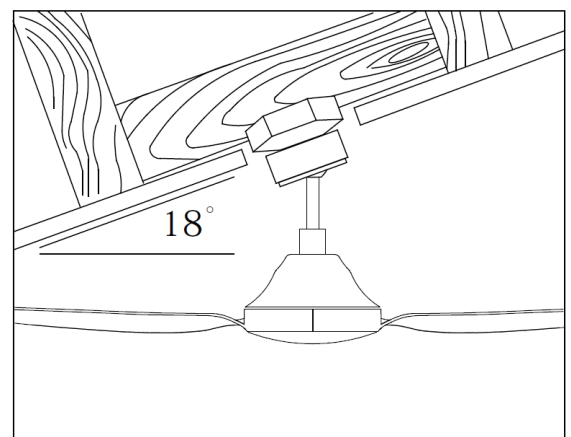


Fig. 3



Airfusion Type A Installation Instructions

HANGING THE FAN MOTOR ASSEMBLY

- Lift the fan assembly onto the mounting bracket. Fig. 4
- Ensure the notch of the ball joint is positioned on the stopper of the mounting bracket to prevent the fan from rotating when in operation. Fig. 5

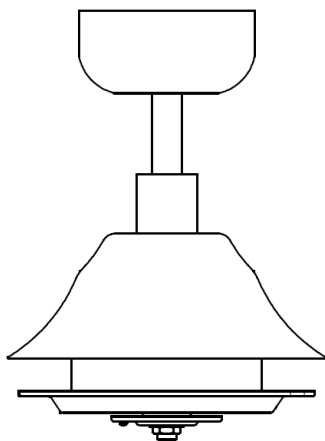


Fig. 4

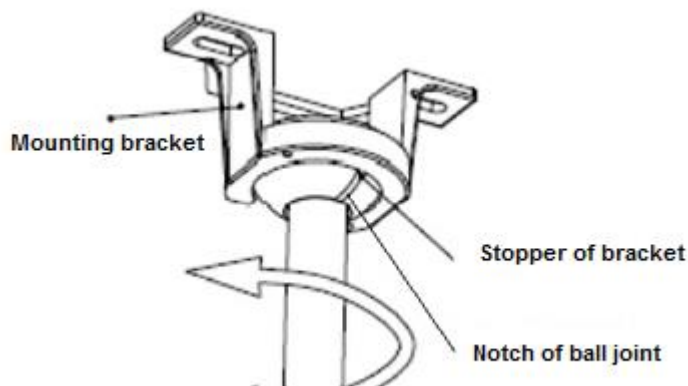


Fig. 5

PREPARE AND COMPLETE THE ELECTRICAL WIRING --- WIRING DIAGRAM (FIG. 6)

WARNING: FOR YOUR SAFETY ALL ELECTRICAL CONNECTIONS MUST BE UNDERTAKEN BY A LICENSED ELECTRICIAN.

NOTE: AN ADDITIONAL ALL POLE DISCONNECTION SWITCH MUST BE INCLUDED IN THE FIXED WIRING. PLEASE MAKE SURE THE MAIN SWITCH HAS BEEN TURNED OFF BEFORE CONNECTING.

NOTE: IF THERE ARE TWO OR MORE DC CEILING FANS INSTALLED IN THE ONE LOCATION, AN ISOLATION SWITCH IS REQUIRED FOR EACH CEILING FAN. THIS IS REQUIRED WHEN PROGRAMMING THE REMOTE AND RECEIVER TO PAIR TOGETHER.

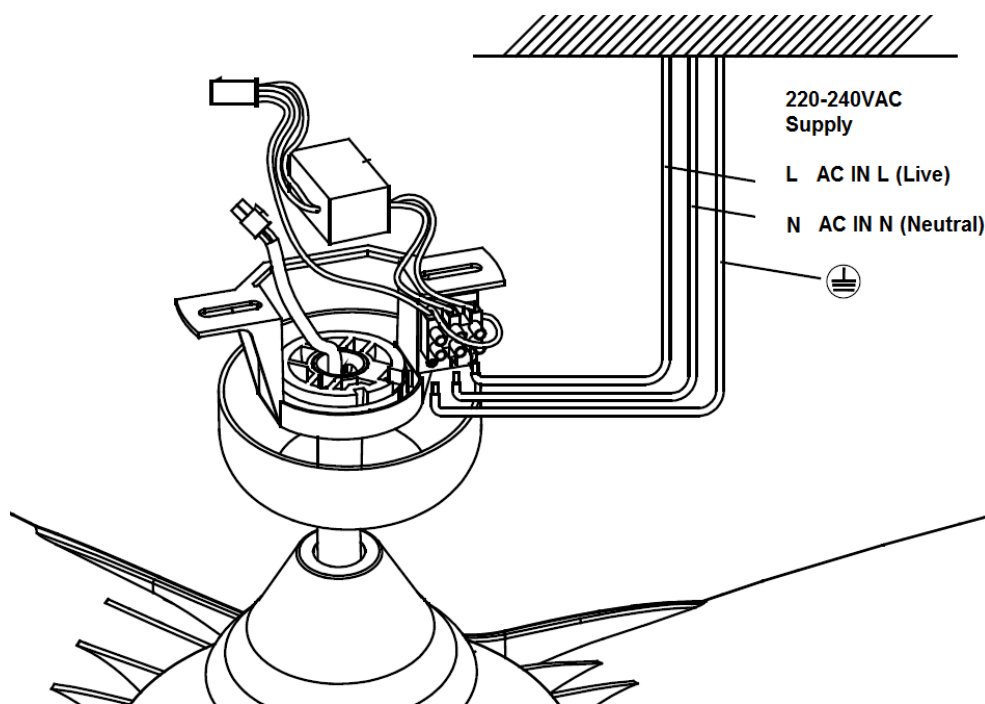


Fig. 6



Airfusion Type A Installation Instructions

INSTALL CANOPY

- Loosen the 2 screws from the bottom of the mounting bracket. Fig. 7
- Slide the canopy up to the mounting bracket and place the key hole on the canopy over the screw on the mounting bracket, turn the canopy until it locks in place at the narrow section of the key holes and secure it by tightening the two set screws. Avoid damaging the electrical wiring prepared previously.

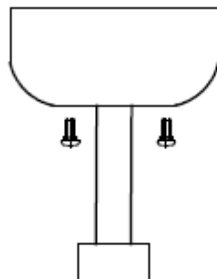


Fig. 7

BLADE INSTALLATION

- Insert the blade screws through the blade then secure the blade to the motor by tightening the 3 screws. Fig.8
- Repeat this process to install the other blades to the motor.
- Finally install the bottom cover to the shaft by rotating it clockwise. Fig. 9

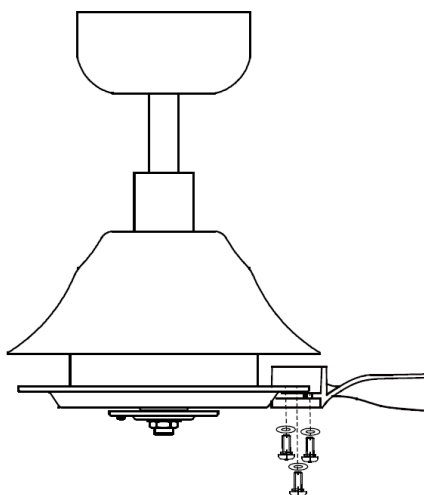


Fig. 8

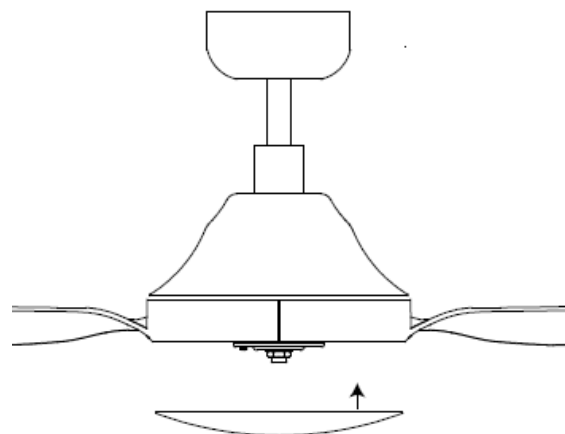


Fig. 9

USING YOUR CEILING FAN

Pairing Transmitter and Receiver

NOTE: Ensure that you have installed a single pole disconnection switch in the fixed wiring for each fan.


NOTE: Ensure power to the receiver is ON prior to pairing the transmitter with the receiver.


- Turn OFF the mains supply to the receivers of the ceiling fan.
- Install the 2 x1.5V DC battery in the compartment. Please make sure the polarity of the battery is correct.

Fig.10



Airfusion Type A Installation Instructions


- Turn on the power to **fan**.
- Press and hold the “” button of **transmitter** for 3-5 seconds within 60 seconds of switching the power ON to the receiver of ceiling fan.
If the fan has light kit attached, the light will flash on and off to indicate the pairing process is activated.
- Turn ON and change the speed of the ceiling fan by the transmitter to check the operation and successful pairing.

Note: The fan supports control by up to 2 transmitter. To reset the fan to only can be controlled by one transmitter, do the pairing process twice, but press and hold the “” button of transmitter more than 10 seconds.


Pairing Transmitter and Receiver – when 2 or more DC ceiling fans are installed in one location

When two or more fans are located near each other, you may want to have the receiver/transmitter for each fan set to a different remote, so that the operation of one fan does not affect the operation of the other fan/s.

Transmitter/Receiver pairing for ceiling fan 1:

- Turn OFF the mains supply to the receivers of both ceiling fans 1 and 2.
- Install the 2 x 1.5VDC batteries in the compartment. Please make sure the polarity of the battery is correct.
- Turn on the power to receiver 1. Keep the power OFF to receiver 2. (Each ceiling fan must have its own isolation switch, so that only the ceiling fan that needs to be paired with the transmitter will be ON).
- Press and hold the “” button on **transmitter 1** for 3-5 seconds within 60 seconds of switching the power to the receiver of ceiling fan 1.
- Turn ON and change the speed of the ceiling fan 1 by the transmitter to check the operation and successful pairing.

Setting DC Ceiling fan 2:

- Turn off the mains supply to the receivers of both ceiling fans 1 and 2.
- Install the 2x1.5VDC batteries in the compartment. Please make sure the polarity of the battery is correct.
- Turn on the power to receiver 2. Keep the power OFF to receiver 1. (Each ceiling fan must have its own isolation switch, so that only the ceiling fan that needs to be paired with the transmitter will be ON).
- Press and hold the “” button on **transmitter 2** for 3-5 seconds within 60 seconds of switching the power to the receiver of ceiling fan 2.
- Turn ON and change the speed of ceiling fan 2 by the transmitter to check the operation and successful pairing.



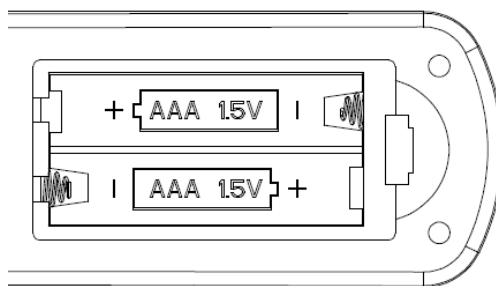
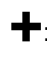


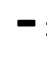
Fig. 10

Remote Control Buttons

 : FAN ON/OFF BUTTON (A):


- Press the button to turn the fan on/off.
- Press and hold the button for 3 seconds within 60 seconds of switching the power to the receiver for pairing the transmitter and receiver.


 : SPEED INCREASE BUTTON (B): Press the button to increase the fan speed. The LED indicator (D) will indicate the fan speed (1-12 speed) accordingly.


 : SPEED DECREASE BUTTON (C): Press the button to decrease the fan speed. The LED indicator (D) will indicate the fan speed (1-12 speed) accordingly.

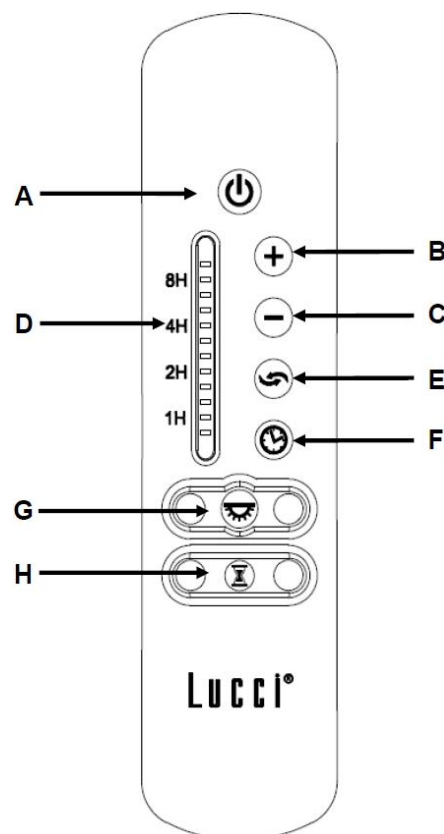
 : LED INDICATOR (D):

- Indicates the fan current fan speed level (1-12 speed).
- Indicates the current timer setting time (1 hour, 2 hours, 4 hours, 8 hours).

 : REVERSE FUNCTION BUTTON (E): Press the button to activate the reverse running function. The fan must be operating to activate the reverse function.

NOTE: When the fan can NOT detect the rotary redirection it will stop, just press the “” button two times to activate the fan again.

 : FAN TIMER BUTTON (F): Press the button to start programming the timer to switch the fan off automatically, or to cancel the timer. Press the button to set timer at 1h → 2h → 4h → 8h → Timer OFF. The LED indicator (D) will indicate the fan timer (1H, 2H, 4H, and 8H) accordingly.



Airfusion Type A Installation Instructions



: LIGHT CONTROL BUTTON (G): Press the button to turn on/off the light.



: LIGHT DELAY BUTTON (H): Press the button to activate the light delay function, which will turn off the light 3 minutes later.


REPAIRING THE FAN RECEIVER & REMOTE

Should the remote and receiver lose control after installation or during use, the pairing of the remote and the receiver must be repaired. Below are the operating symptoms and method to repair the pairing of the DC ceiling fan remote and receiver.

Issues:

- Loss of control - Fan is only running at high speed after installation
- Loss of control - No reverse function after installation
- Loss of control - Remote cannot communicate with the receiver

Solution:

- Switch off the main power to ceiling fan.
- Press and hold the “” button on **transmitter** for 3 seconds within 60 seconds of switching the power to the receiver of the ceiling fan.
- Turn ON and change the speed of the ceiling fan by the transmitter to check the operation and successful pairing.

AFTER INSTALLATION

WOBBLE:

Note: Ceiling fans tend to move during operation due to the fact that they are mounted on a rubber grommet. If the fan was mounted rigidly to the ceiling it would cause excessive vibration. Movement of a few centimeters is quite acceptable and does not suggest any problem.

TO REDUCE THE FAN WOBBLE: Please check that all screws which fix the mounting bracket and down rod are secure.

BALANCING KIT: A balancing kit is provided to balance the ceiling fan on initial installation. Please refer to the instruction on how to use the balancing kit. The balancing kit can be used to assist re-balancing should the ceiling fan become un-balanced again. Store your balancing kit away after installation for future use if required.

NOISE:

When it is quiet (especially at night) you may hear occasional small noises. Slight power fluctuations and frequency signals superimposed in the electricity for off-peak hot water control, may cause a change in fan motor noise.

This is normal. Please allow a 24-hour “settling-in” period, most noises associated with a new fan disappear during this time.



Airfusion Type A Installation Instructions

The manufacturer's warranty covers actual faults that may develop and NOT minor complaints such as hearing the motor run – all electric motors are audible to some extent.

CARE & CLEANING

- Periodic cleaning of your ceiling fan is the only maintenance required. Use a soft brush or lint free cloth to avoid scratching the paint finish. Please turn off electricity power when you do so.
- Do not use water when cleaning your ceiling fan. It could damage the motor or the blades and create the possibility of an electrical shock.
- The motor has a permanently lubricated ball bearing. There is no need to oil.

NOTE: Always turn off the power at the mains switch before attempting to clean your fan.

TECHNICAL INFORMATION

AIRFUSION SERIES TYPE A DC FAN models	Rated Voltage	Rated power (motor)	Battery for remote
60" blade fan only	220-240VAC	35W	2 x 1.5Vdc AAA



LUCCI CEILING FAN WARRANTY DETAIL

LUCCI WARRANTY HOTLINE- 1800 602 243

THIS WARRANTY IS VALID IN AUSTRALIA ONLY

In the event of service being required, please call the Lucci Fan Warranty Hotline on 1800 602 243 between 9am & 5pm (EST) Monday to Friday. Please make sure you have all the ceiling fan details filled out at the end of the manual before making the call.

Every Lucci ceiling fan is thoroughly inspected and tested before being released for sale. In addition to any warranty rights or conditions under statutory regulations, Lucci warrants all of its ceiling fans against defective workmanship and faulty materials for twenty four (24) months from the date of purchase. Lucci undertakes, at its option, to repair or replace, free of charge, each product or part thereof on condition that;

1. The fan or relevant part has not been subjected to misuse, neglect, or been involved in an accident.
2. The repairs are not required as a result of normal wear and tear.
3. The product was installed by a licensed electrical contractor.
4. A copy of the original receipt of purchase is presented.
5. 12 month warranty applies when used in any non-domestic applications.
6. This warranty does not cover stains, scratch and scuff marks, or dents if the product is purchased through a factory outlet or to refurbished items.

Our goods come with guarantees that cannot be excluded under the Australian Consumer Law. You are entitled to a replacement or refund for a major failure and compensation for any other reasonably foreseeable loss or damage. You are also entitled to have the goods repaired or replaced if the goods fail to be of acceptable quality and the failure does not amount to a major failure.

Lucci Design cannot be held responsible for any repair other than those carried out by it or one of its Authorised Service Agents. Please keep this warranty information in a safe place. This information must be produced in the event of service being required.

Distributed by:

Beacon Lighting

140 Fulton Drive

Derrimut, Victoria, 3030

Australia

Ph +613 9368 1000

Fax +613 9360 9332

Email: warranty@beaconlighting.com.au



CEILING FAN WARRANTY INFORMATION

LUCCI WARRANTY HOTLINE- 1800 602 243

Complete and retain this form for your personal records and warranty purposes.

NAME.....

ADDRESS.....

.....POSTCODE.....

MODEL NUMBER.....

PO NUMBER or DATECODE (PO# + DATECODE Sticker here)

DATE OF PURCHASE.....

INSTALLING LICENSED ELECTRICIAN.....

.....

LICENCE No.....

ATTACH PROOF OF PURCHASE HERE

THIS COMPLETED DETAIL PAGE SHOULD BE PRODUCED AND FAXED TO THE WHOLESALE OR THEIR AUTHORISED AGENTS BEFORE OBTAINING WARRANTY SERVICE

