

FANAWAY VEIL CEILING FAN

- **INSTALLATION**
- **OPERATION**
- **MAINTENANCE**
- **WARRANTY INFORMATION**

CAUTION

**READ INSTRUCTIONS CAREFULLY FOR SAFE
INSTALLATION AND FAN OPERATION.**

THANK YOU FOR PURCHASING

Thank you for purchasing this quality Fanaway product. To ensure correct function and safety, please read and follow all instructions carefully before assembly, installation and use of this ceiling fan. Please keep instructions for future reference.

SAFETY PRECAUTIONS

1. The appliance is not intended for use by persons (including children) with reduced physical, sensory or mental capabilities, or lack of experience and knowledge, unless they have been given supervision or instruction concerning the use of the appliance by a person responsible for their safety.
2. Children should be supervised to ensure that they do not play with the appliance.
3. An all-pole disconnection switch must be incorporated into the fixed wiring, in accordance with local wiring rules.

IN AUSTRALIA

WARNING:

**FOR SAFE USE OF THIS FAN AN ALL-POLE DISCONNECTION
MUST BE INCORPORATED INTO THE FIXED WIRING IN
ACCORDANCE WITH THE WIRING RULES.**

As outline in clause 7.12.2 of AS/NZS 60335-1 for meeting the minimum electrical safety of this standard.

Please note warranty will be void if installation is without a means for an all-pole disconnection incorporated in the fixed wiring in accordance with the wiring rules.

Example: If a fan is connected to a circuit that can be isolated via an all-pole safety switch at the switchboard, then this is considered to be an



all-pole disconnection to the ceiling fan electrical circuit, meeting the requirements of clause 7.12.2 of AS/NZS 60335.1.

A single-pole switch on the active of the receiver input of remote control must also be included in the wiring, and located the same room as the ceiling fan.



4. Do not dispose of electrical appliances as unsorted municipal waste, use separate collection facilities. Contact your local government for information regarding the collection systems available. If electrical appliances are disposed of in landfills or dumps, hazardous substances can leak into the ground water and get into the food chain, damaging your health and well-being.
5. The structure to which the fan is to be mounted must be capable of supporting a weight of 65kg.
6. The fan should be mounted so that the blades are more than 2.1 m above the floor.
7. This fan is suitable for indoor use only. Mounting the fan in a location where it is subject to water or moisture is dangerous and may increase the risk of damage, injury or electrical shock and will void the warranty.
8. Must be assembled and installed by a licensed electrician.
9. **WARNING:** If unusual wobbling or oscillating movement is observed, immediately stop using the ceiling fan and contact the manufacturer, its service agent or suitably qualified persons.
10. The replacement of parts of the safety suspension system device shall be performed by the manufacturer, its service agent or suitably qualified persons.
11. The fixing means for attachment to the ceiling such as hooks or other devices shall be fixed with a sufficient strength to withstand 4 times the weight of the ceiling fan; that the mounting of the suspension system shall be performed by the manufacturer, its service agent or suitably qualified persons.



PARTS LIST

- Unpack your ceiling fan carefully. Remove all parts and hardware.
- Lay out all the components on a smooth surface and make sure there are no components missing before assembling. If parts are missing, return the complete product to the place of purchase for inspection or replacement.
- Check whether the ceiling fan has been damaged during transport. Do not operate/install any product which appears damaged in any way. Return the complete product to the place of purchase for inspection, repair or replacement.
- Examine all parts, you should have the following:

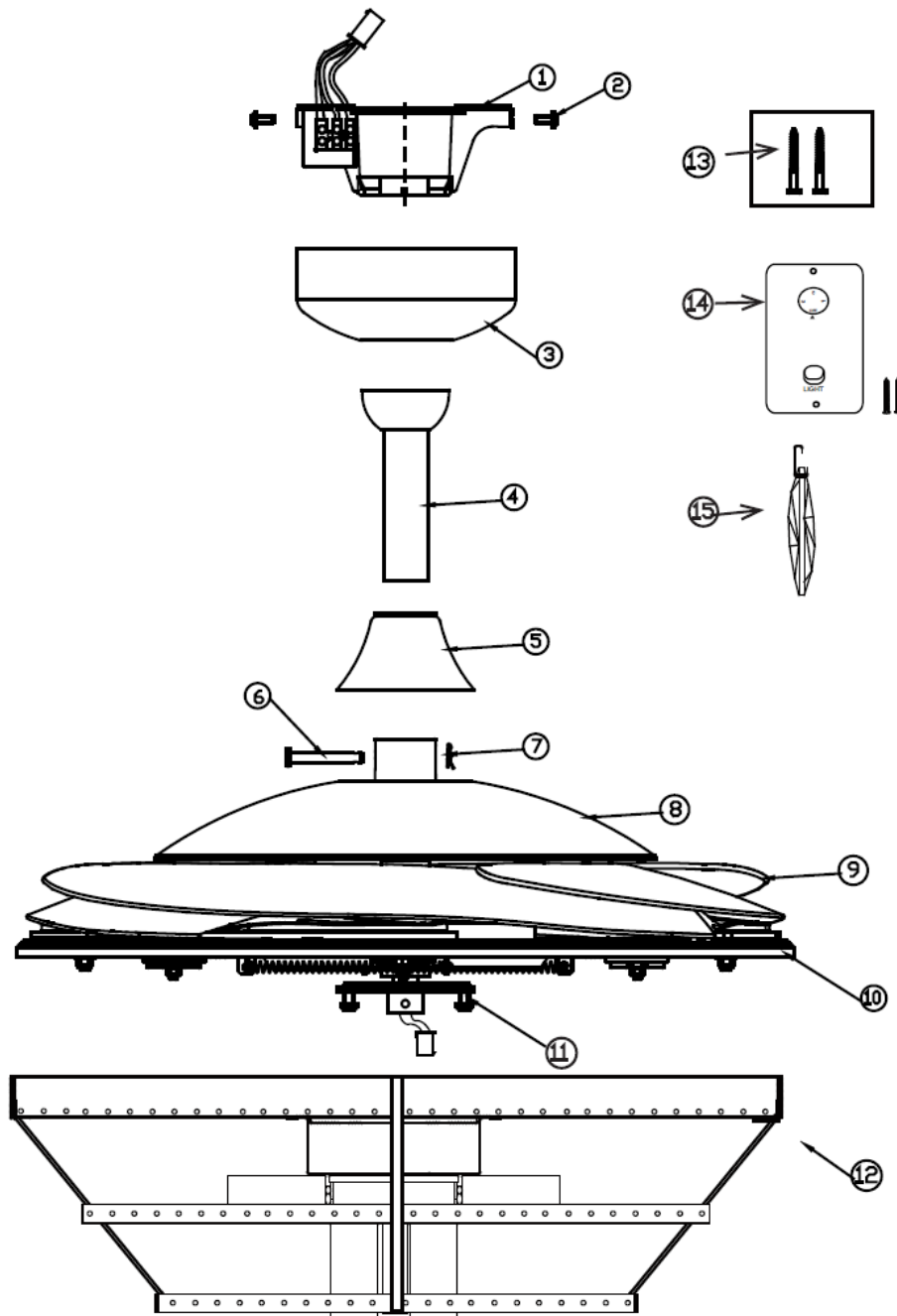


Fig. 1



1	Mounting bracket x 1	10	Retraction mechanism x 1
2	Canopy screws x 4	11	Light kit base x 1
3	Canopy x 1	12	Light kit x 1
4	Down rod x 1	13	Mounting screws x 2
5	Down rod coupling housing cover x 1	14	Wall switch x 1 set
6	Lock pin x 1	15	Decorative drops x 114
7	Hatch pin x 1		
8	Top housing x 1		
9	Blades x 4		

INSTALLING THE MOUNTING BRACKET

- The ceiling fan must be installed in a location so that the blades are spaced 300mm from the tip of the blade to the nearest objects or walls.
- Install the hanging bracket to the ceiling joist or structure that is capable of carrying a load of at least 65kg, with two long screws provided. Ensure at least 30mm of the screw is threaded into the support. (Fig. 2)

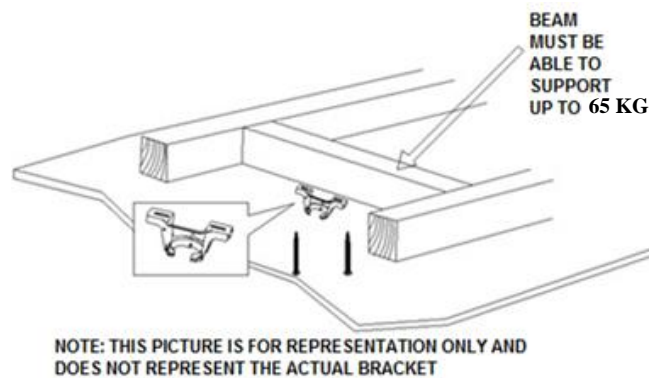


Fig. 2

NOTE: The bracket screws provided are for use with wooden structures only. For structures other than wood, the appropriate screw type **MUST** be used. Ensure the screws used are suitable for the mounting surface and the surrounding environment.

ANGLED CEILING INSTALLATION

This fan hanging system supports a maximum 15 degree angled ceiling installation.

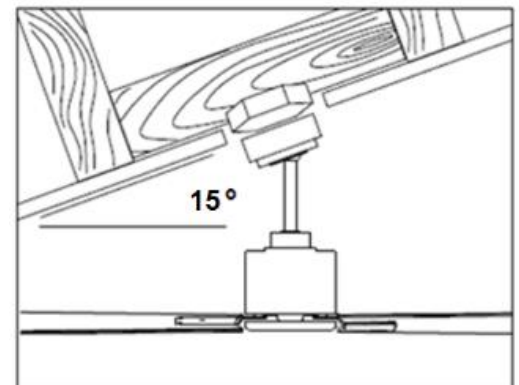


Fig. 3



INSTALLING THE FAN

INSTALLING THE DOWN ROD (Fig. 4)

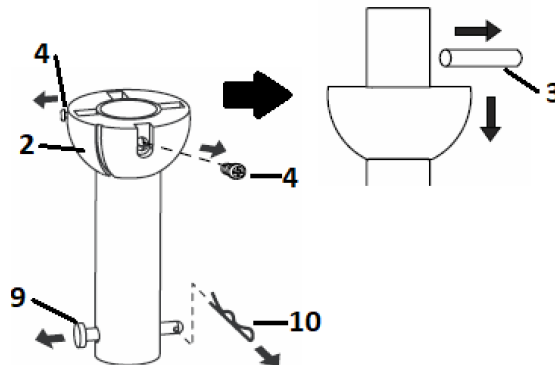


Fig. 4.1

1. Remove the ball joint (2) and dowel pin (3) by loosening the set screws (4) from the down rod (6). Remove the hitch pin (9) by removing the lock clip (10) (Fig. 4.1). **NOTE: Do not discard these parts, they are required to reassemble later.**

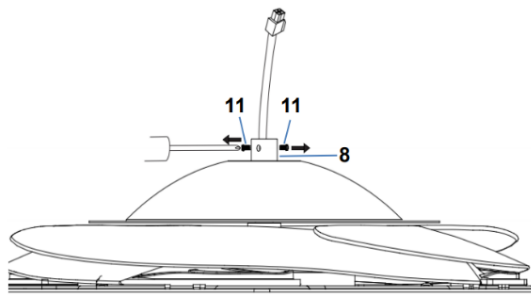


Fig. 4.2

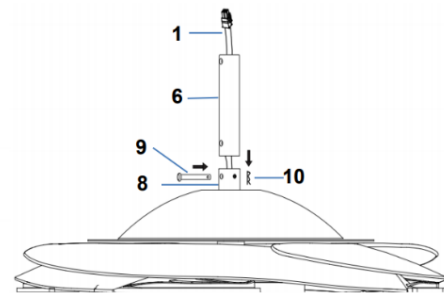


Fig. 4.3

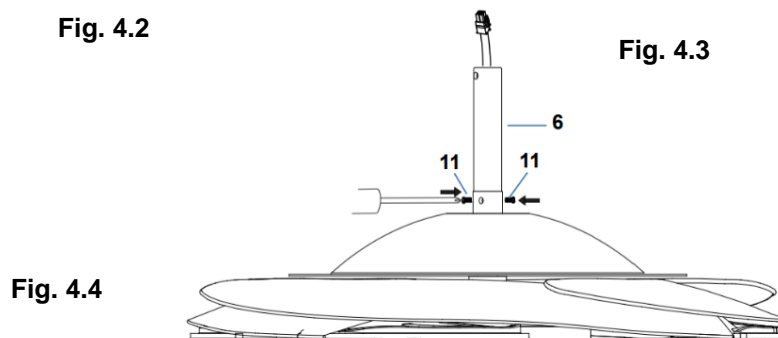
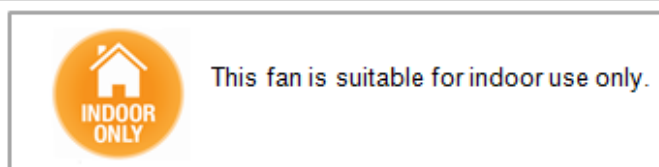


Fig. 4.4

2. Loosen the set screws (11) on the down rod coupling housing (8). (Fig. 4.2)
3. Carefully feed the fan wires (1) up through the down rod (6). (Fig. 4.3)
4. Assemble the down rod (6) into the down rod coupling housing (8), by inserting and lining up the down rod coupling housing holes with the down rod holes and insert the hitch pin (9) and secure with the lock clip (10). (Fig. 4.3)
5. Secure the down rod (6) by tightening the set screws (11). (Fig. 4.4)



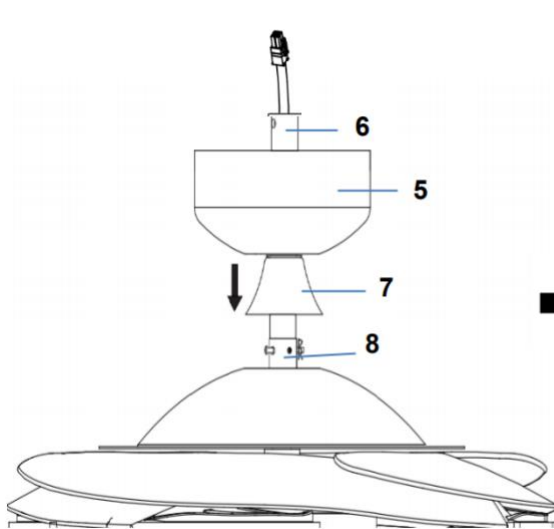


Fig. 4.5

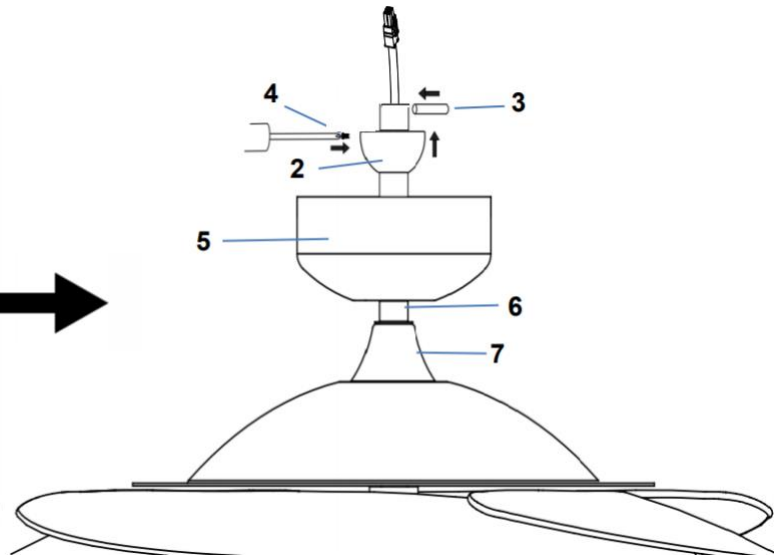


Fig. 4.6

6. Insert the decorative cover (7) onto the down rod (6) to cover the down rod coupling housing (8). (Fig. 4.5)
7. Insert the canopy (5) over the down rod (6) and install the ball joint (2) and dowel pin (3) back onto the down rod (6) and secure by tightening the set screws (4). (Fig. 4.5 and Fig. 4.6)

HANGING THE FAN

Lift the fan assembly onto the mounting bracket. Ensure the key slot (A) of the hanger ball is positioned on the key pin (B) of the mounting bracket (C) to prevent the fan from rotating when in operation. (Fig. 5)

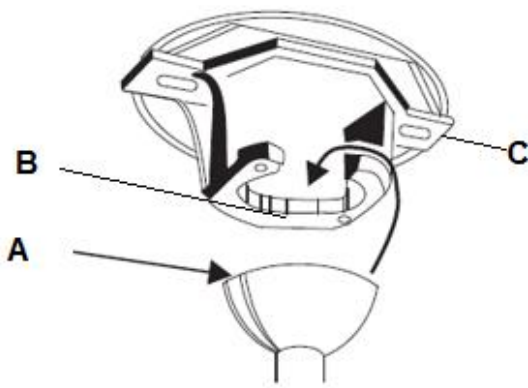
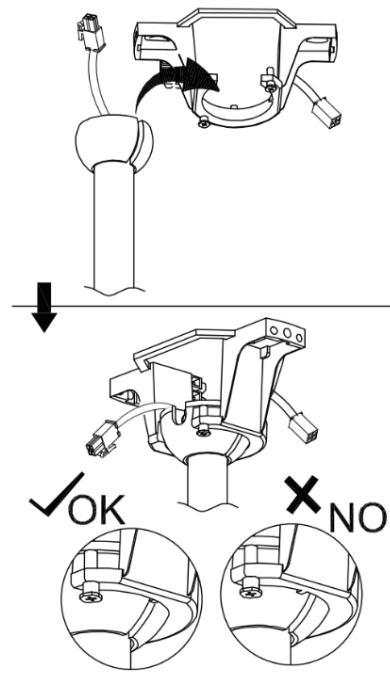


Fig. 5



LIGHT KIT INSTALLATION

LIGHT KIT INSTALLATION (Fig. 6 & 7)

1. Loosen the screw (1) from the fan bracket. Align the two slot screws with the keyhole slots (2) of the light kit bracket. (Fig. 6)
2. Turn the light kit bracket counterclockwise until the slot screws are firmly at the end of the slots (2).
3. Secure screw (1) to the lamp shade bracket. Tighten all three screws. Do not over-tighten.

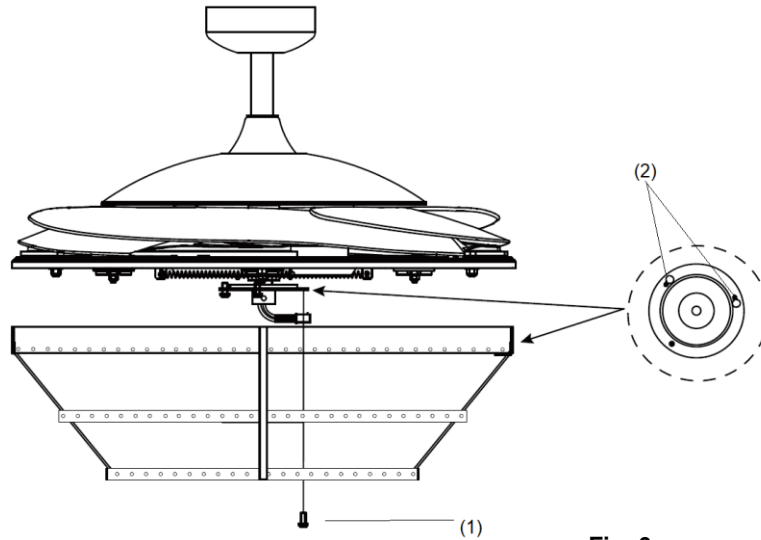


Fig. 6

4. Connect the quick connector to the lamp holder part (3). (Fig. 7)
5. Secure the lamp-holder part (3) to the light kit bracket by tightening the 3 screws (4). Do not over-tighten.
6. Install the globes (5) (Not included) in the lamp holders. Do not exceed the maximum power rating.
7. Install the decorative drops (6) to the light kit.

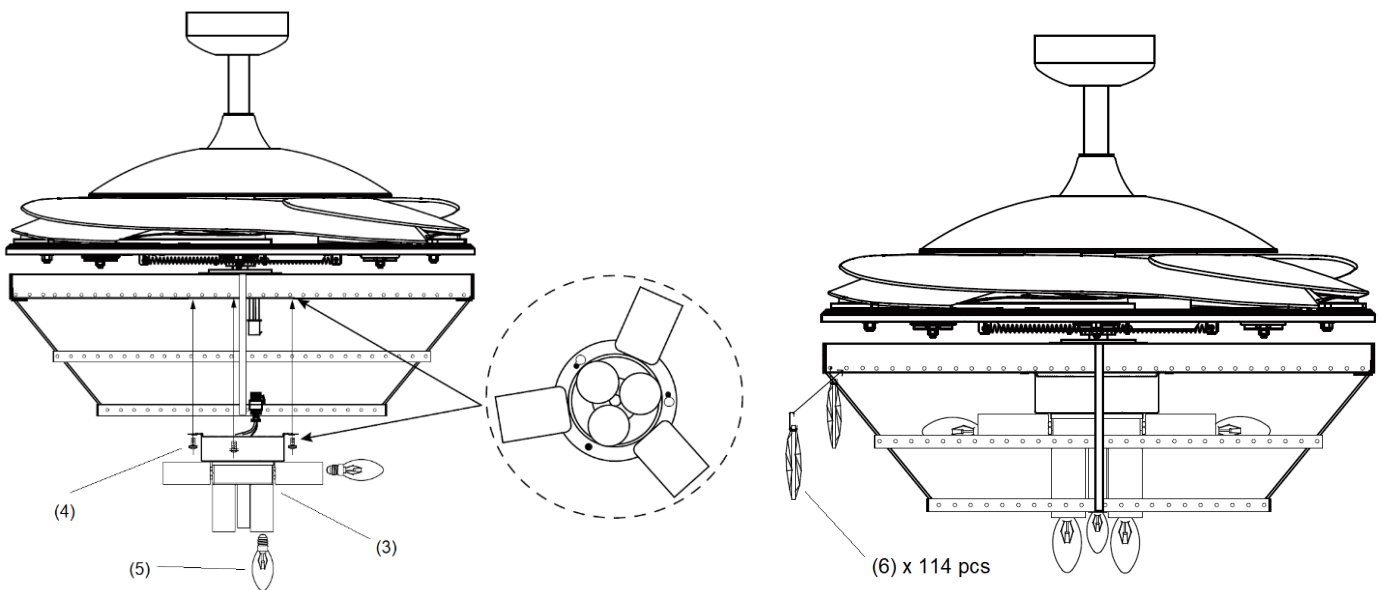


Fig. 7

ELECTRICAL WIRING DIAGRAM

WARNING: FOR YOUR SAFETY ALL ELECTRICAL CONNECTIONS MUST BE UNDERTAKEN BY A LICENSED ELECTRICIAN.

NOTE: AN ADDITIONAL ALL POLE DISCONNECTION SWITCH MUST BE INCLUDED IN THE FIXED WIRING.

NOTE: Wiring diagram includes the light kit wiring. The light wiring diagram and switch is omitted when no light kit is used with the ceiling fan.

USE WITH WALL SWITCH WIRING DIAGRAM:

Ensure the motor earth wire is connected to the single earthing terminal block "1" in the diagram below.

(Fig. 8)

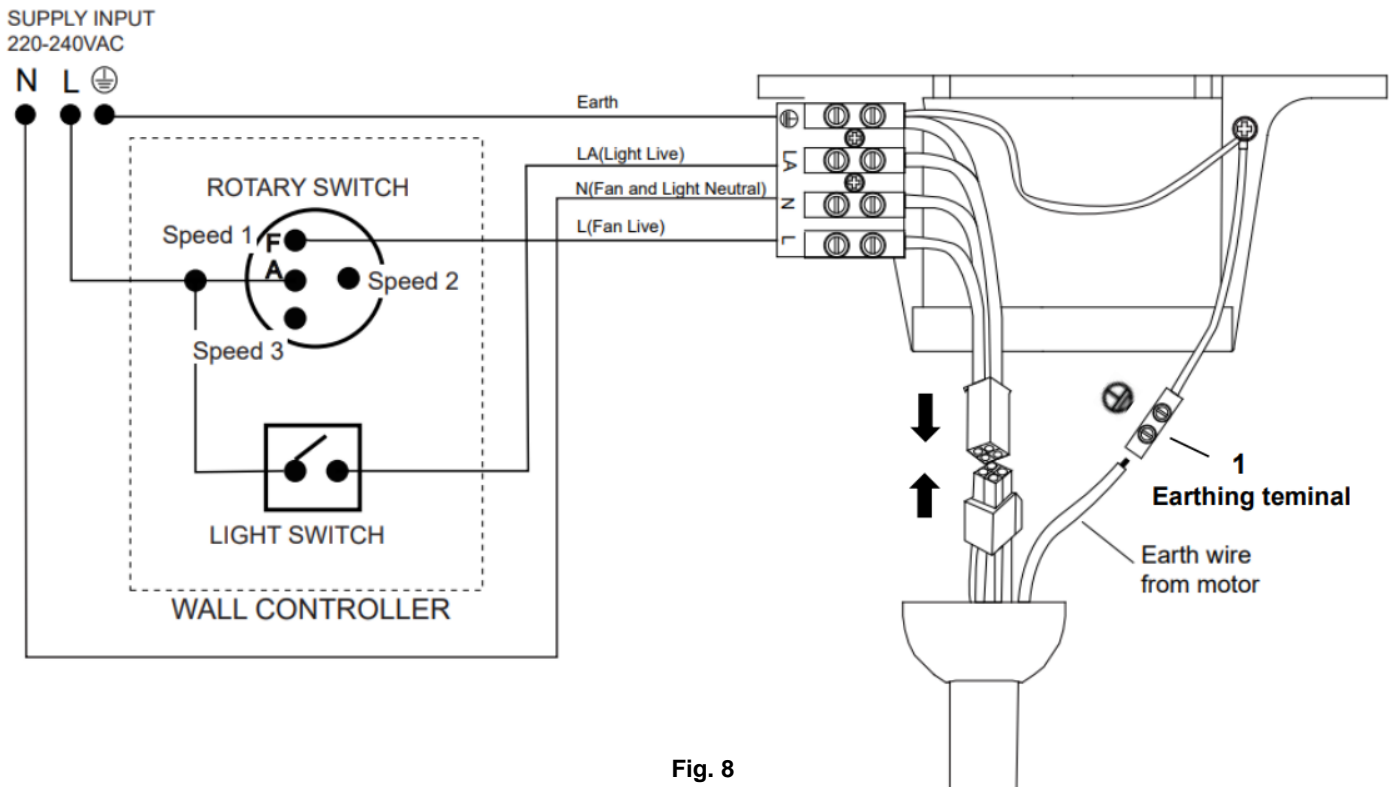


Fig. 8



USE WITH REMOTE WIRING DIAGRAM: (REMOTE sold separately)

Ensure the motor earth wire is connected to the single earthing terminal block “1” in the diagram (Fig. 8), for (Fig. 9 and Fig. 10)

1/ Remote without quick connectors (manual wiring)

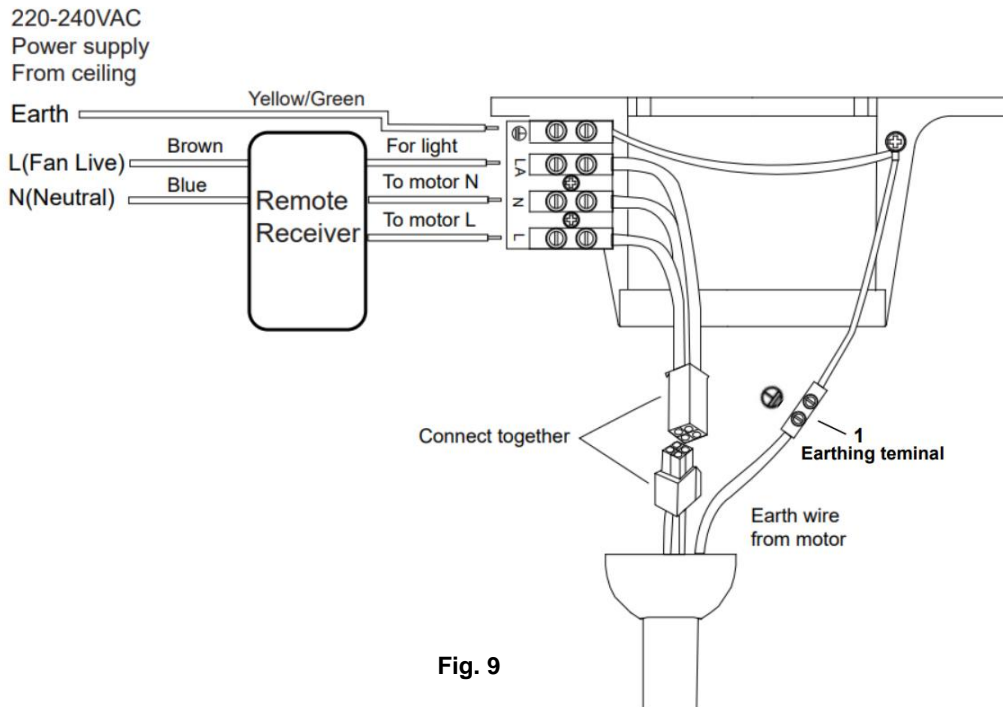


Fig. 9

2/ Remote with quick connectors (using quick connectors)

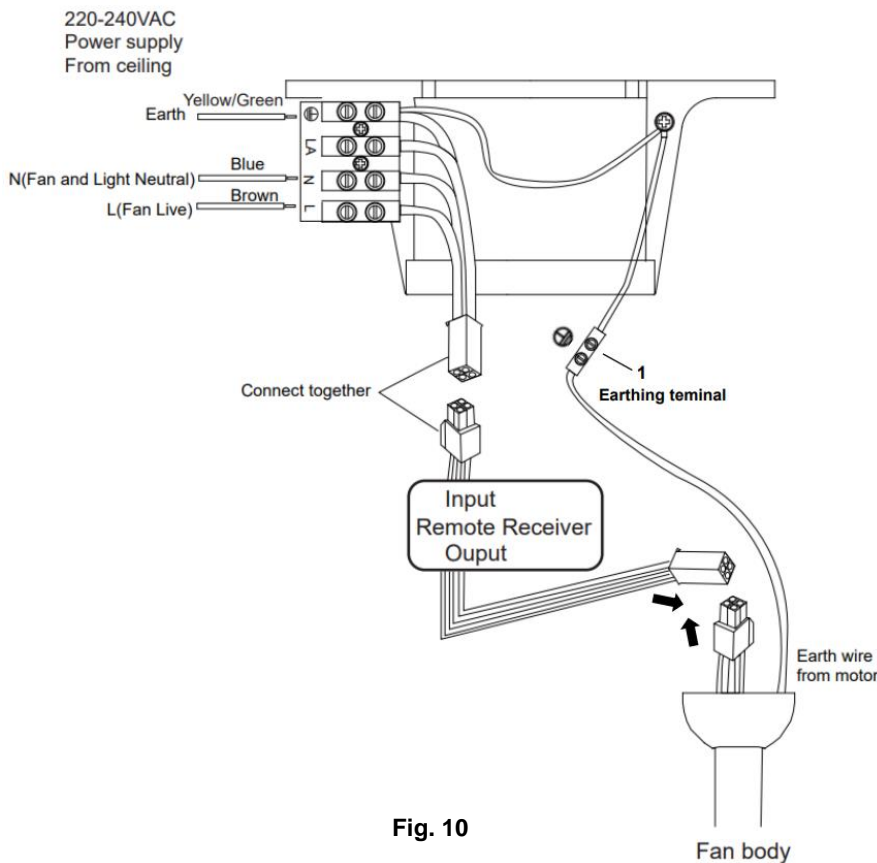


Fig. 10

FINISHING THE INSTALLATION

- After completing the electrical connection at the mounting bracket terminal block, connect the ceiling fan wiring via the quick connector plug.
- Ensure the earth wiring is secure and correct by performing an earthing continuity test from the fan's accessible metal body and lamp base back to the earth terminal at the terminal block on the mounting bracket.
- Cover the mounting bracket with the canopy. Ensure all electrical wiring is tucked inside the canopy and that the wires are not damaged during this step. Secure the canopy to the hanger bracket using the screws provided. (Fig. 11)
- Switch ON the mains power supply to the fan. Test the fan operations or enjoy using the fan following instructions under the "USING YOUR CEILING FAN" section of this instruction manual.

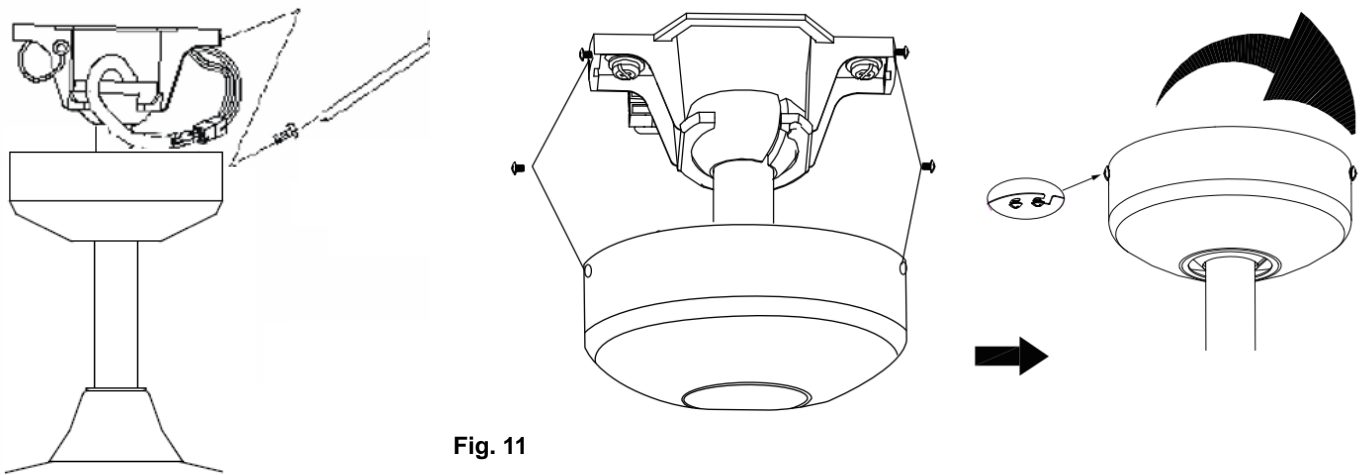


Fig. 11

USING YOUR CEILING FAN

FAN WALL CONTROL (Fig. 12)

Turn on the power and check the operation of the fan.

- OFF Position – Fan Off
- 3rd Position – Low fan speed
- 2nd Position – Medium fan speed
- 1st Position – High fan speed

LIGHT CONTROL (Fig. 12)

- Toggle Switch – ON / OFF

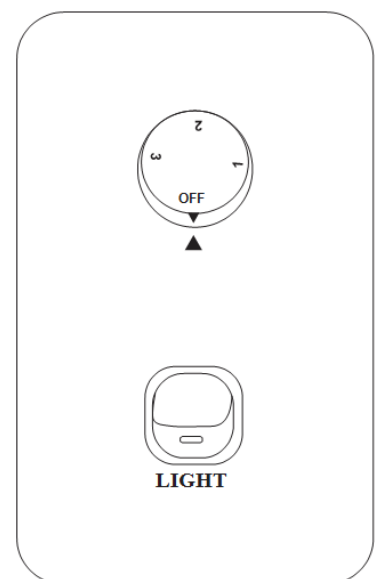


Fig. 12



REVERSING FUNCTION (Fig. 13)

Your ceiling fan can operate in either summer or winter mode.

SUMMER Mode: The reverse switch should be in the SUMMER position to rotate the fan in an anticlockwise direction. The airflow will be directed downwards, for cooling in summer.

WINTER Mode: The reverse switch should be in the WINTER position to rotate the fan in a clockwise direction. The airflow will be directed upwards assisting in the circulation of warm air, for energy conservation in winter.

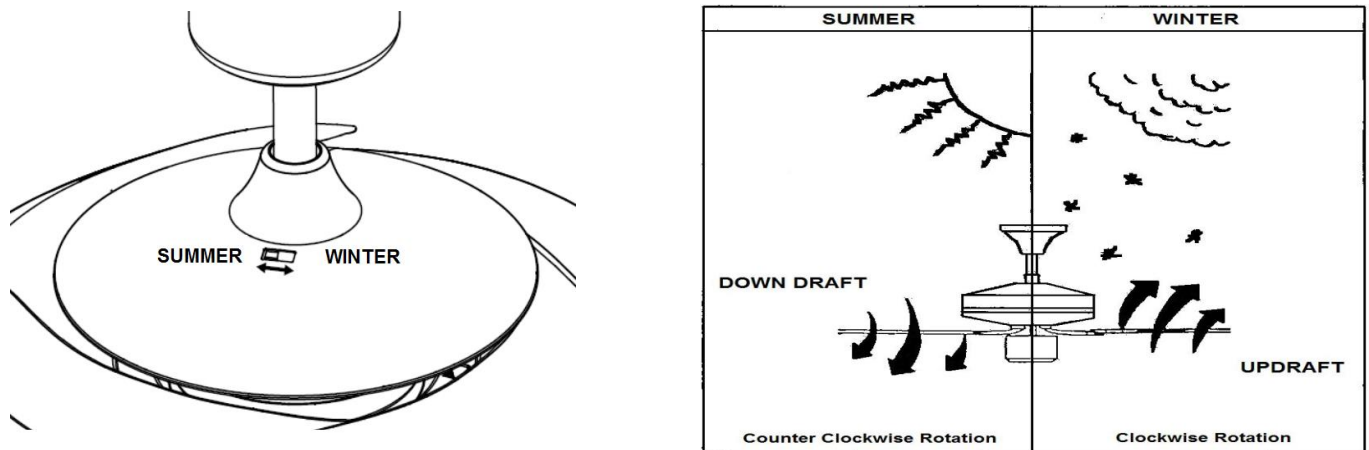


Fig. 13

AFTER INSTALLATION

WOBBLE:

NOTE: ceiling fans tend to move during operation due to the fact that they are mounted on a rubber grommet. If the fan was mounted rigidly to the ceiling it would cause excessive vibration. Movement of a few centimetres is quite acceptable and DOES NOT suggest any problem.

TO REDUCE THE FAN WOBBLE:

Please check that all screws which fix the mounting bracket and down rod are secure.

NOTE: This fan has been precision balanced at the factory and will not need to be balanced again.

NOISE:

When it is quiet (especially at night) you may hear occasional small noises. Slight power fluctuations and frequency signals superimposed in the electricity for off-peak hot water control, may cause a change in fan motor noise. This is normal. Please allow a 24-hour “settling-in” period, most noises associated with a new fan disappear during this time.

Please note that this is not a product fault and as such is not covered under warranty – All electric motors are audible to some extent.



CARE & CLEANING

NOTE: Always turn OFF the power at the mains switch before performing any maintenance or attempting to clean your fan.

- Every 6 months periodic cleaning of your ceiling fan is the only maintenance required. Use a soft brush or lint free cloth to avoid scratching the paint finish. Please turn off electricity power when you do so.
- Do not soak or immerse your ceiling fan in the water or other liquids. It could damage the motor or the blades and create the possibility of an electrical shock.
- Ensure that the fan does not come in contact with any organic solvents or cleaners.
- To clean the fan blade, wipe with only a damp clean cloth with NO organic solvents or cleaners.
- The motor has a permanently lubricated ball bearing so there is no need to oil.

TECHNICAL INFORMATION

Fan	48" FANAWAY VEIL		
Fan Models	212922	212923	212924
Rated Voltage	220-240V~ 50Hz		
Rated Wattage (Motor)	60W		
Rated wattage (Lamp)	E14, 6 x Max.45W		
Weight	15.7kg		
Canopy Dimensions	H:55mm Dia:130mm		



Warranty

THIS WARRANTY IS VALID IN AUSTRALIA ONLY

Note:

Please complete the following details when you have unpacked the product and retain this card with the purchase invoice or sales docket.

Warranty

These products are covered by a Warranty in addition to all rights available to you by statute. The Warranty is for a period of two (2) years from the date of purchase. Following this, an additional seven (7) years motor replacement warranty applies. Fanaway undertakes, at its option, to repair or replace, free of charge, each product or part thereof subject to the following conditions. The conditions abovementioned are:

1. That the purchaser carefully follows all instructions provided and complies with electrical wiring regulations;
2. That the purchaser carefully follows the installation instructions provided in the owner's handbook relating to the proper use and care of the product and does not use the product for any purpose other than the domestic use for which it has been designed;
3. That the product was purchased and is installed in Australia;
4. That this Warranty does not extend to:
 - A. Optional light diffusers
 - B. Light globes
 - C. Damage to plastic light dome caused by inappropriate cleaning
 - D. Damage to surface coatings caused by cleaning or maintenance using inappropriate cleaning products
 - E. Defects caused by normal wear and tear, accident, negligence, alteration or misuse;
 - F. A product dismantled, repaired or serviced by any serviceman other than an authorized employee or agent of Fanaway
 - G. Product installed by an unqualified person. Must be a qualified electrician in Australia
 - H. Damage or defects caused by fans being installed externally.

(FANS ARE DESIGNED FOR INDOOR USE ONLY).

5. The provisions of this warranty do NOT apply to other Ceiling Fans.
6. The provision of service under this Warranty is limited by the boundary of the nearest service agent's area. Traveling cost incurred for the service outside this area is not covered by this warranty and will incur commercial cost to be paid by the customer regulated by the number of kilometers traveled beyond the service area.
7. The cost associated with the hire of extension ladders and scaffolding to service fans installed on ceilings greater than 3 meters will not be covered by this warranty. Such costs will be borne by the customer.

In the event of a service being required, please call the Lucci Warranty Service Hotline acting as the service agent for Fanaway on 1800 602 243 between 9AM and 5PM (E.S.T) Monday to Friday. Ensure you have the following details on hand. If you are unable to establish the date of purchase, or the fault is not covered by this Warranty, or if the product is found to be in working order, you will be required to bear all service call charges.



PRODUCT TYPE:
MODEL NUMBER:
SERIAL NUMBER:
DATE OF PURCHASE:
INVOICES/SALES DOCKET NO:
PURCHASER'S NAME:
PURCHASER'S ADDRESS:
RETAILER'S/DEALER'S NAME:
RETAILER'S/DEALER'S ADDRESS:
INSTALLED BY:
LICENCE NUMBER OF INSTALLER:
PHONE NUMBER OF INSTALLER:
DESCRIPTION OF FAULT:

Our goods come with guarantees that cannot be excluded under the Australian Consumer Law. You are entitled to a replacement or refund for a major failure and compensation for any other reasonably foreseeable loss or damage. You are also entitled to have the goods repaired or replaced if the goods fail to be of acceptable quality and the failure does not amount to a major failure.

CONTACTS:

Contact Lucci Warranty Service Hotline acting as the service agent for Fanaway on 1800 602 243 between 9AM and 5PM (E.S.T) Monday to Friday, or go to Website: for more information.

Distributed by:

Beacon Lighting

140 Fulton Drive

Derrimut, Victoria, 3026

Australia

Ph +613 9368 1000

Email: warranty@beaconlighting.com.au

