



LUCCI AIRFUSION BREEZE PEDESTAL FAN

- **INSTALLATION**
- **OPERATION**
- **MAINTENANCE**
- **WARRANTY INFORMATION**

CAUTION
**READ INSTRUCTIONS CAREFULLY FOR SAFE
INSTALLATION AND FAN OPERATION.**


THANK YOU FOR PURCHASING

Thank you for purchasing this quality Lucci product. To ensure correct function and safety, please read and save all instructions before using the product.

SAFETY PRECAUTIONS

1. In Europe: This appliance can be used by children aged from 8 years and above and persons with reduced physical, sensory or mental capabilities or lack of experience and knowledge if they have been given supervision or instruction concerning the use of the appliance in a safe way and understand the hazards involved. Cleaning and maintenance shall not be undertaken by children without supervision.
2. In Australia: The appliance is not intended for use by persons (including children) with reduced physical, sensory or mental capabilities, or lack of experience and knowledge, unless they have been given supervision or instruction concerning the use of the appliance by a person responsible for their safety.
3. Children should be supervised to ensure that they do not play with the appliance.



4.  Do not dispose of electrical appliances as unsorted municipal waste, use separate collection facilities. Contact your local government for information regarding the collection systems available. If electrical appliances are disposed of in landfills or dumps, hazardous substances can leak into the groundwater and get into the food chain, damaging your health and well-being.
5. If the supply cord is damaged, it must be replaced by a special cord or assembly available from the manufacturer or its service agent.
6. Ensure that fan is switched off and unplug from the mains socket outlet before removing the guard for cleaning.
7. Do not operate any product with a damaged cord or plug, after the product malfunctions, is dropped or appears damaged in any way. Return the complete product to the place of purchase for inspection, repair or replacement.
8. Switch off and unplug from the mains socket outlet when not in use, before assembling or disassembling parts and before cleaning. Fully assemble the fan before switching on.
9. Avoid contact with moving parts. Do not insert any object through the grill when the fan is operating.
10. Do not cover the grill, or operate in close proximity to curtains, etc.
11. This fan is suitable for indoor use only.



PARTS LIST

Unpack your fan carefully. Examine all parts. You should have the following:

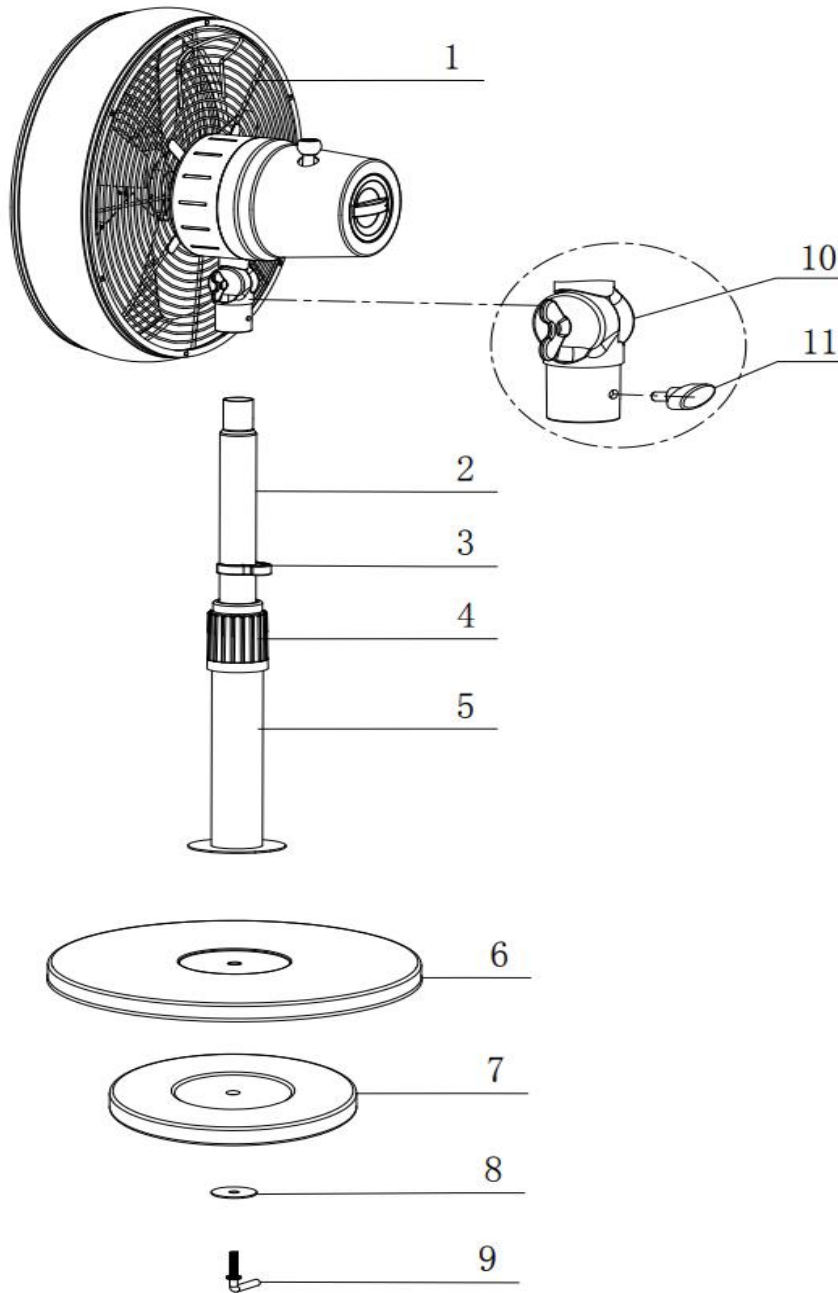


Fig. 1

1	Fan head assembly x 1	7	Heavy base x1
2	Height adjustment pipe x 1	8	Flat washer x 1
3	Power cord clip x 1	9	Base locking screw x 1
4	Height adjustment ring x 1	10	Tilt adjustment knob x 1
5	Standing pipe x1	11	Fixed knob X 1
6	Standing base x1		



ASSEMBLING THE FAN

1. Loosen the base locking screw (10), spring washer (9) and flat washer (8) from the standing pipe. Fig. 1
2. Attach the standing pipe (5) onto the standing base (6). Install the base locking screw (10) through the spring washer (9), flat washer (8), heavy base (7) and then tighten the base locking screw (10) to secure the standing pipe (5). Fig.1
3. Loosen the height adjustment ring (4) and pull out the height adjustment pipe (2) to the desired height. Tighten the height adjustment ring (4) firmly. Fig. 1
4. Place the fan head assembly (1) onto the top of the height adjustment pipe (2). Secure it by tightening the fixed knob (12). Fig. 1
5. Loosen the tilt adjustment knob (11) and adjust the fan head upwards or downwards to your desired tilt angle. Secure the fan head tilt angle by tightening the tilt adjustment knob (11) firmly. Fig. 1
6. Insert the plug into the mains socket outlet and ensure it is fully plugged in.

USING YOUR FAN

FAN SPEED CONTROL (Fig.2)

The fan has 3 different speeds which are controlled by the speed control switch.

- III - High speed
- II - Medium speed
- I - Low speed
- 0 - OFF



Fig. 2

FAN SWING CONTROL (Fig.3)

The oscillation of the fan is controlled by the Oscillation knob.

1. Push down the oscillation knob, the fan will oscillate from left to right.
2. Pull up the oscillation knob, the fan will stop oscillating.

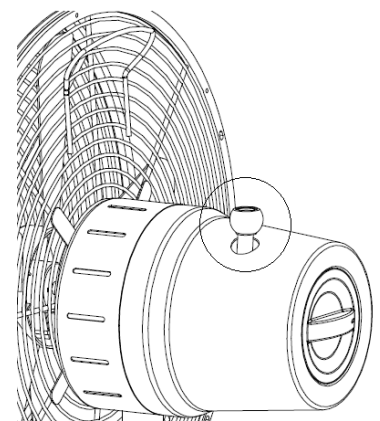


Fig. 3



CARE AND CLEANING

CARE AND CLEANING:

- Periodic cleaning of your fan is the only maintenance required. Use a soft brush or lint free cloth to avoid scratching the paint finish. Please turn off the power switch and un-plug when you do so.
- Do not immerse your fan in the water. It could damage the motor or the blades and create the possibility of an electrical shock.
- Ensure that the fitting does not come in contact with any organic solvents or cleaners.
- To clean the fan blade, wipe with only a damp clean cloth with NO organic solvents or cleaners.
- The motor has a permanently lubricated ball bearing so there is no need to oil.

NOTE: Always turn OFF the power and unplug from the mains socket outlet before attempting to clean your fan.

TECHNICAL INFORMATION

FAN models	Rated Voltage	Rated power (motor)	Speed control
16" fan	220-240VAC	50W	3 speeds

