



**LUCCI
AIRFUSION ZOOM
WALL/CEILING FAN**

- **INSTALLATION**
- **OPERATION**
- **MAINTENANCE**
- **WARRANTY INFORMATION**

CAUTION
READ INSTRUCTIONS CAREFULLY FOR SAFE
INSTALLATION AND FAN OPERATION.

THANK YOU FOR PURCHASING

Thank you for purchasing this quality Lucci product. To ensure correct function and safety, please read and follow all instructions carefully before assembly, installation and use of this ceiling fan. Please keep instructions for future reference.

SAFETY PRECAUTIONS

1. In Europe: This appliance can be used by children aged from 8 years and above and persons with reduced physical, sensory or mental capabilities or lack of experience and knowledge if they have been given supervision or instruction concerning the use of the appliance in a safe way and understand the hazards involved. Cleaning and maintenance shall not be undertaken by children without supervision.
2. In Australia: The appliance is not intended for use by persons (including children) with reduced physical, sensory or mental capabilities, or lack of experience and knowledge, unless they have been given supervision or instruction concerning the use of the appliance by a person responsible for their safety.
3. Children should be supervised to ensure that they do not play with the appliance.



4.  Do not dispose of electrical appliances as unsorted municipal waste, use separate collection facilities.

Contact your local government for information regarding the collection systems available.

If electrical appliances are disposed of in landfills or dumps, hazardous substances can leak into the ground water and get into the food chain, damaging your health and well-being.

5. If the supply cord is damaged, it must be replaced by a special cord or assembly available from the manufacturer or its service agent.
6. Ensure that fan is switched off and unplugged from the mains socket outlet before removing the guard for cleaning.
7. Switch off and unplug from the mains socket outlet when not in use, before assembling or disassembling parts and before cleaning. Fully assemble the fan before switching on.
8. Do not operate any product with a damaged cord or plug, after the product malfunctions, is dropped or appears damaged in any way. Return the complete product to the place of purchase for inspection, repair or replacement.
9. Avoid contact with moving parts. Do not insert any object through the grill when the fan is operating.
10. Do not cover the grille, or operate in close proximity to curtains, etc.
11. The structure to which the fan is to be mounted must be capable of supporting a weight of 40kg.
12. This fan is suitable for indoor and alfresco areas provided the fan is fully undercover with a minimum of 2 walls. This fan is not waterproof. When installed in an alfresco area the ceiling fan must be positioned in a location protected from water, wind, dust and salt. Exposure to these elements will void the warranty. Mounting the fan in a situation where it is subject to water or moisture is dangerous and may increase the risk of damage, injury or electrical shock and will void the warranty.



PARTS LIST

- Unpack your fan carefully. Remove all parts and hardware.
- Lay out all the components on a smooth surface and make sure there are no components missing before assembling. If parts are missing, return the complete product to the place of purchase for inspection or replacement.
- Check whether the fan has been damaged during transport. Do not operate/install any product which appears damaged in any way. Return the complete product to the place of purchase for inspection, repair or replacement.
- Examine all parts, you should have the following:

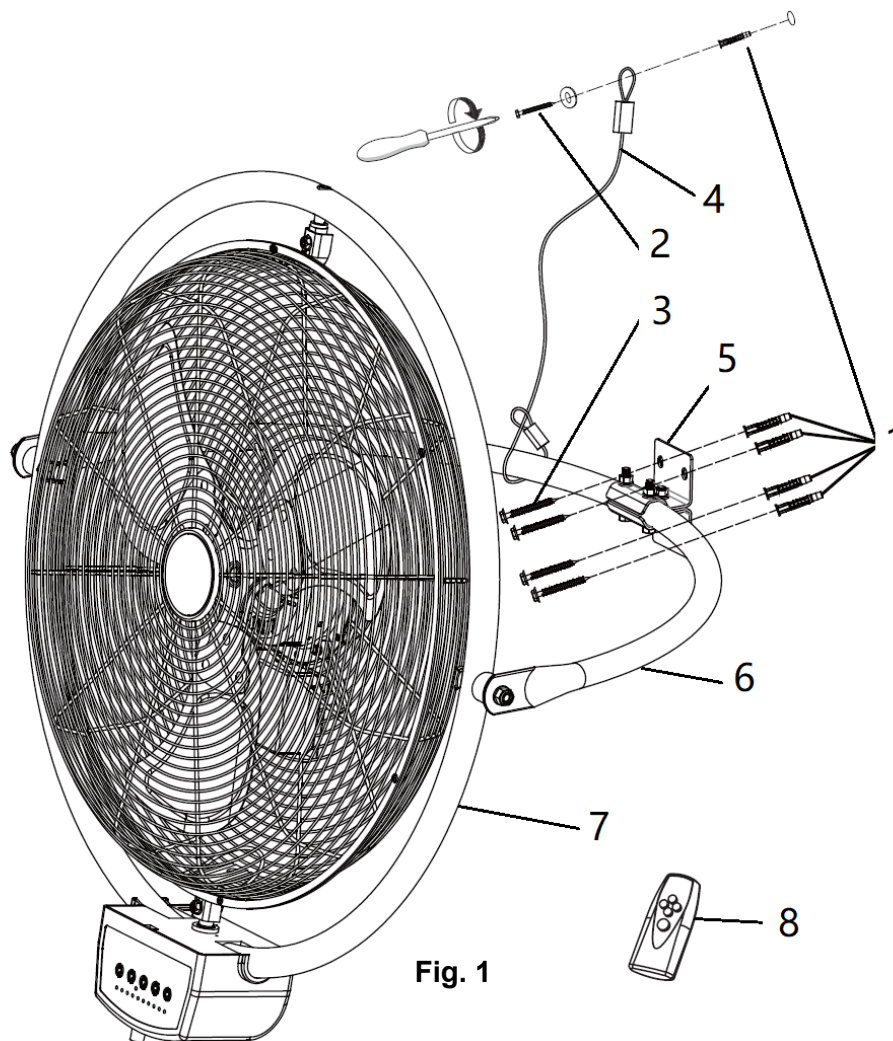


Fig. 1

1	Plastic anchor x 5	5	Mounting bracket x 1
2	Screw for safety steel cord x 1	6	Bracket pole x 1
3	Screw for mounting bracket x 4	7	Fan body pole x 1
4	Safety steel cord x 1	8	Remote x 1



INSTALLING THE FAN

1. Use the mounting bracket (5) as a template to mark the screw hole positions onto the wall/ceiling.
2. Drill the holes on the wall or ceiling.
3. Install the mounting bracket (5) onto the wall/ceiling using appropriate size mounting screws (3) and anchors (1). Ensure the mounting screws (3) and anchors (1) are suitable for the mounting surface and the surrounding environment.
4. Adjust the fan body upwards or downwards to your desired angle by pulling the fan body pole (7).
5. Wrap the safety steel cord (4) around the bracket pole (6 - Fig. 2) and secure the safety steel cord to wall/ceiling by tightening the screw (2 - Fig. 1).
6. Insert the plug into the mains socket outlet and ensure it is fully plugged in.

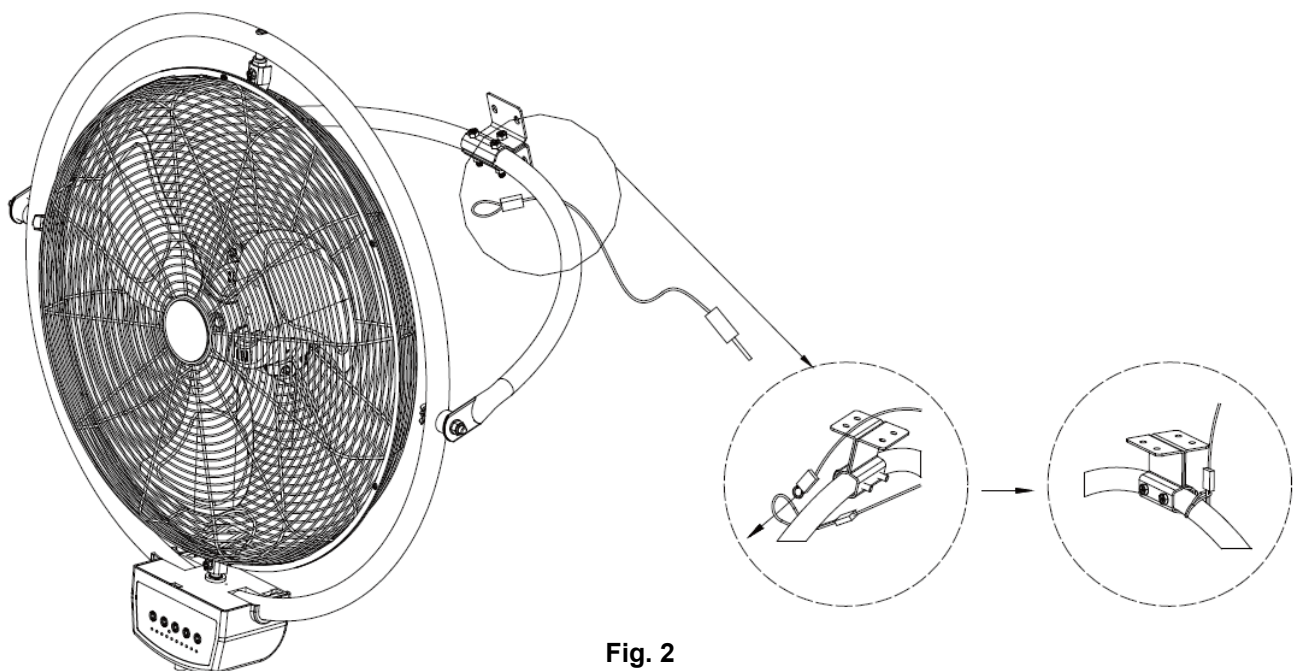


Fig. 2

USING YOUR FAN

BATTERY INSTALLATION

2 x AAA 1.5V batteries are required to operate the remote control. Remove the battery cover and install the batteries. Ensure the polarity is correct as shown in the battery compartment.

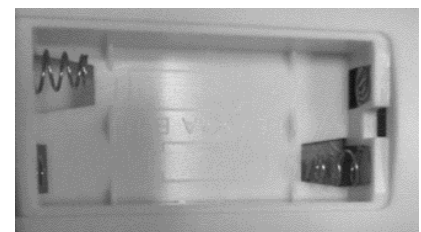


Fig. 3



OPERATING THE REMOTE

ON/SPEED Button: Press the button repeatedly to turn the fan ON and change the fan speed. The fan will run at following order: Low speed → Medium speed → High speed.

OFF Button: Press the button to turn the fan OFF.

TIMER Button: Press the button repeatedly to activate the fan timer function, the fan will turn off after running 0.5h / 1h / 1.5h / 2h / 2.5h / 3h / 3.5h / 4h / 4.5h / 5h / 5.5h / 6h / 6.5h / 7h / 7.5h.

SWING Button: Press the button to activate the fan oscillation function when fan is running.

MODE Button: Press the button repeatedly to activate the fan running at following mode: Normal Mode → Natural Mode → Sleep Mode.

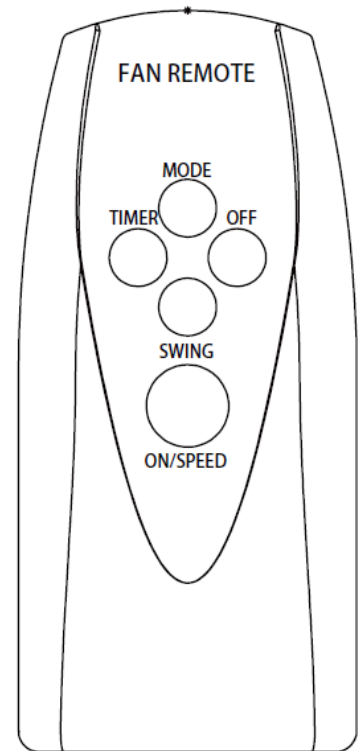


Fig. 4

Normal Mode

When selecting normal mode and pressing the ON/SPEED button, the fan will run at Low speed, Medium speed or High speed as normal.

Natural Mode

- **High Natural Wind Pattern:** When running at High speed and selecting natural mode, the fan will run at changing speed cycling: Medium speed 5s→Low speed 5s→High speed 5s→Medium speed 5s→High speed 5s→Low speed 5s→High speed 5s→Stop 5s....
- **Medium Natural Wind Pattern:** When running at Medium speed and selecting natural mode, the fan will run at changing speed cycling: Low speed 5s→Medium speed 5s→Low speed 5s→Stop 5s....
- **Low Natural Wind Pattern:** When running at Low speed and selecting natural mode, the fan will run at changing speed cycling: Low speed 5s→Stop 5s....

Sleep Mode

The fan will run at following pattern: *High Natural Wind Pattern 0.5 h → Medium Natural Wind Pattern 0.5h → keep Low Natural Wind Pattern.*



OPERATING THE CONTROL PANEL

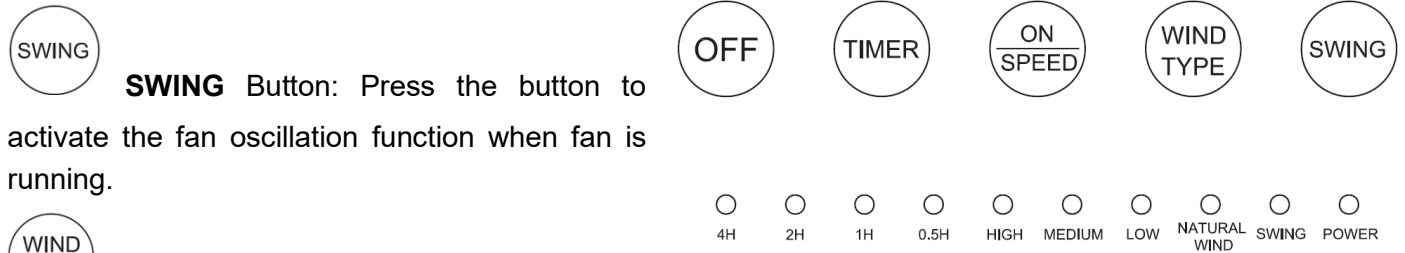


Fig. 5

SWING Button: Press the button to activate the fan oscillation function when fan is running.

WIND Mode Button: Press the button repeatedly to activate the fan running at following mode: Normal mode → Natural mode → Sleep model.

ON/SPEED Button: Press the button to turn on the fan and change the fan speed in following order: Low speed → Medium speed → High speed.

TIMER Button: Press the button repeatedly to activate the fan timer function, the fan will turn off after running 0.5h / 1h / 1.5h / 2h / 2.5h / 3h / 3.5h / 4h / 4.5h / 5h / 5.5h / 6h / 6.5h / 7h / 7.5h.

OFF Button: Press the button to turn OFF the fan.

4H 2H 1H 0.5H **Timer LED Indicators:** The LED indicator on the fan body will light up to indicate fan timer function has been activated.

HIGH MEDIUM LOW **Speed LED Indicators:** The LED indicator on the fan body will light up to indicate fan running at low speed, medium speed or high speed.

NATURAL WIND **Natural Indicator:** The LED indicator on the fan body will light up to indicate fan running at natural mode.

SWING **Swing Indicator:** The LED indicator on the fan body will light up to indicate fan swing function has been activated.

POWER **Power Indicator:** The LED indicator on the fan body will light up to indicate fan is connected to main power supply already.

CARE AND CLEANING

NOTE: Always turn OFF the power and unplug from the mains socket outlet before attempting to clean, adjust or maintain your fan.

- Every 6 months periodic cleaning of your fan is the only maintenance required. Use a soft brush or lint free cloth to avoid scratching the paint finish. Please turn off the power switch and un-plug when you do so.
- Do not soak or immerse your fan in the water or other liquids. It could damage the motor or the blades and create the possibility of an electrical shock.
- Ensure that the fitting does not come in contact with any organic solvents or cleaners.
- To clean the fan blade, wipe with only a damp clean cloth with NO organic solvents or cleaners.
- The motor has a permanently lubricated ball bearing so there is no need to oil.

SAFETY PRECAUTIONS FOR BATTERY

- **WARNING** – Keep new and used batteries away from children.
- **CAUTION** – Do not ingest battery—Chemical burn hazard.
- Always use 2x AAA 1.5V batteries with this fan remote controller.
- Ensure the batteries are inserted with the correct polarity.
- To prevent false operation during battery insertion or replacement, this fan must be disconnected from the supply mains.
- Remove batteries from the product when not in use for long periods of time.
- Batteries must be removed from the remote transmitter before it is discarded.
- Dispose of exhausted batteries immediately and safely (so they cannot be retrieved by children). Flat batteries can still be dangerous. Contact your local council to safely dispose of the battery.
- Regularly check the product and make sure the battery box lid is correctly secured. If the battery compartment does not close securely, stop using the product and keep it away from children.
- If you think batteries might have been swallowed or placed inside any part of the body, seek immediate medical attention. If you suspect your child has swallowed or inserted a button battery, immediately call the 24-hour Poisons Information Centre on **13 11 26** for fast, expert advice.
- Battery Leaks: Battery contains chemicals and should be treated as any chemical would. Take precautions when handling leaked battery chemicals. Battery chemicals should not be placed near the eyes or ingested. Contact Poisons Information Centre on **13 11 26** for fast, expert advice.

TECHNICAL INFORMATION

FAN models	Rated Voltage	Rated power (motor)	Speed control	Net Weight
50CM fan	220-240VAC	111W	3 speeds	8.8kg

