

LUCCI AIR GLIDE DC PEDESTAL FAN

- **INSTALLATION**
- **OPERATION**
- **MAINTENANCE**
- **WARRANTY INFORMATION**

CAUTION
**READ INSTRUCTIONS CAREFULLY FOR SAFE
INSTALLATION AND FAN OPERATION.**

THANK YOU FOR PURCHASING

Thank you for purchasing the latest in energy saving pedestal fans. This fan runs on DC (direct current) power which gives it the benefit of being super energy efficient whilst still maintaining high volume air-movement and silent operation.

Energy saving - The DC motor is the latest technology in fan design. Its highly efficient motor saves up to 65% more energy than wall fans with traditional AC motors.

Silent operation – This DC fan motor is programmed with a stabilised current which efficiently reduces motor noise.

Low operating temperature – The DC power is managed effectively which brings down the motor operating temperature. This results in a much cooler motor than a standard AC fan and increases the longevity of the motor.

6 speed control - Regular AC pedestal fans usually come with only 3 speeds, this DC fan comes complete with a 6 speed control button, which gives a greater choice of comfort levels.

SAFETY PRECAUTIONS

1. The appliance is not intended for use by persons (including children) with reduced physical, sensory or mental capabilities, or lack of experience and knowledge, unless they have been given supervision or instruction concerning the use of the appliance by a person responsible for their safety.
2. Children should be supervised to ensure that they do not play with the appliance.
3. Ensure that fan is switched off and unplug from the mains socket outlet before removing the guard for cleaning.
4. Do not operate any product with a damaged cord or plug, after the product malfunctions, is dropped or appears damaged in any way. Return the complete product to the place of purchase for inspection, repair or replacement.
5. Switch off and unplug from the mains socket outlet when not in use, before assembling or disassembling parts and before cleaning. Fully assemble the fan before switching on.
6. Avoid contact with moving parts. Do not insert any object through the grill when the fan is operating.
7. Do not cover the grill, or operate in close proximity to curtains, etc.
8. This fan is suitable for indoor use only.
9. Ensure that the fan is switched off from the supply mains before removing the guard.



PARTS LIST

- Unpack your pedestal fan carefully. Remove all parts and hardware.
- Lay out all the components on a smooth surface and make sure there are no components missing before assembling. If parts are missing, return the complete product to the place of purchase for inspection or replacement.
- Check whether the pedestal fan has been damaged during transport. Do not operate/install any product that appears damaged in any way. Return the complete product to the place of purchase for inspection, repair or replacement.
- Examine all parts, you should have the following:

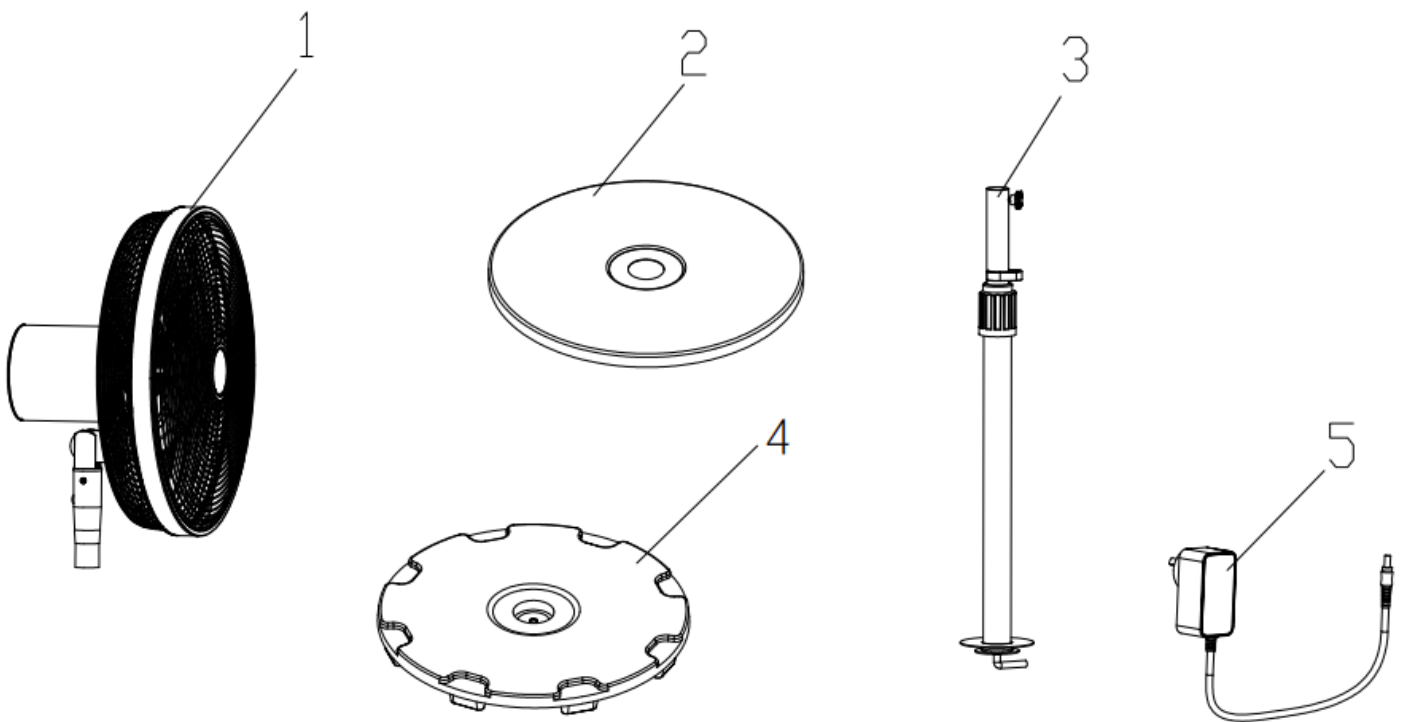


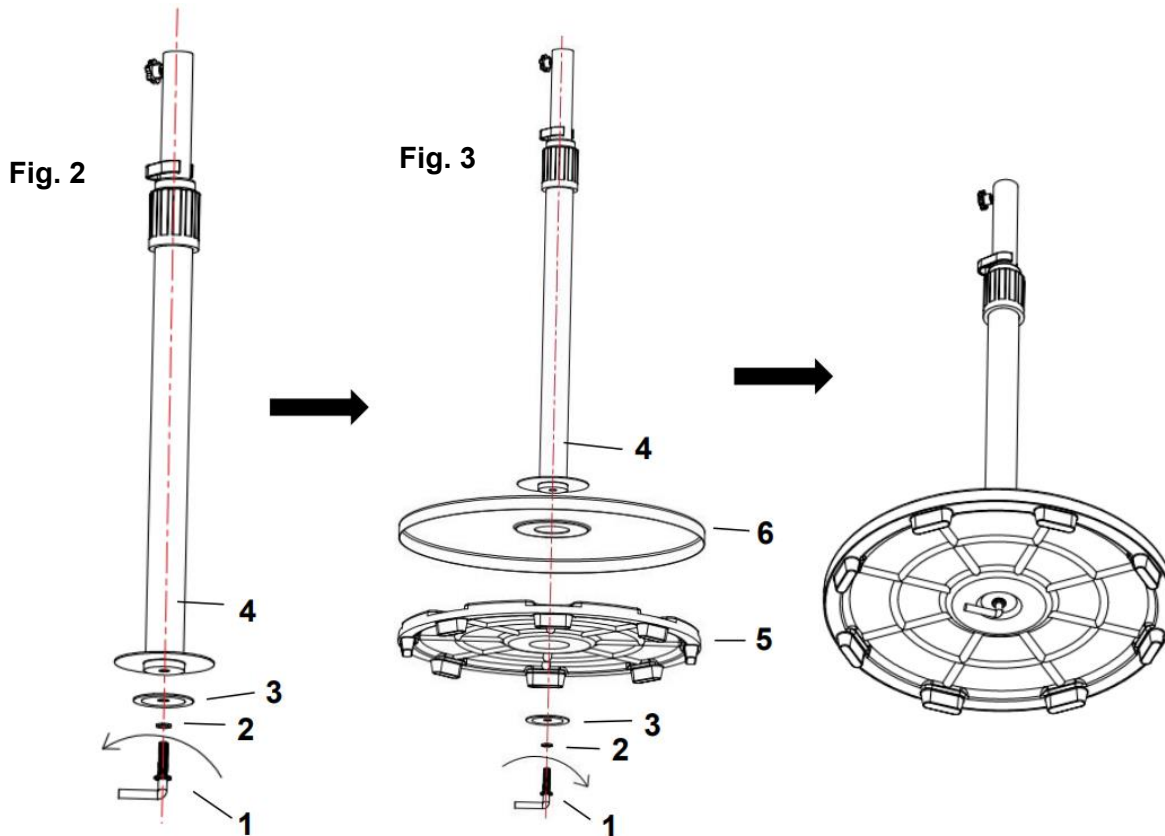
Fig. 1

1.	Fan head assembly x 1	4.	Heavy base x 1
2.	Standing base x 1	5.	Adapter x 1
3.	Fan body assembly x 1		

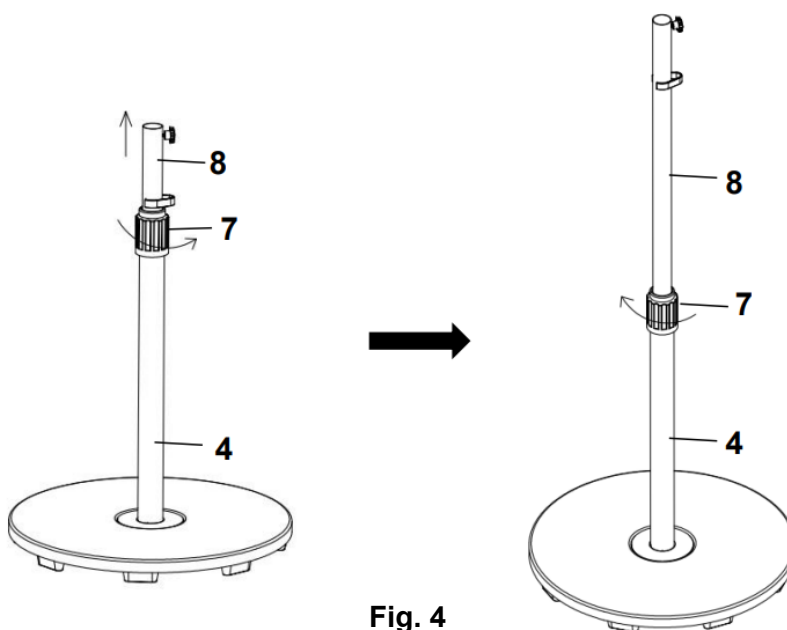


ASSEMBLING THE FAN

1. Loosen the base locking screw (1), spring washer (2) and flat washer (3) from the standing pipe (4). Fig. 2
2. Attach the standing pipe (4) to the standing base (6). Install the base locking screw (1) through the spring washer (2), flat washer (3), heavy base (5) and then tighten the base locking screw (1) to secure the standing pipe (4). Fig.3



3. Loosen the height adjustment ring (7) and pull out the height adjustment pipe (8) to the desired height. Tighten the height adjustment ring (7) firmly. Fig. 4



- Loosen the fixed knob (9) from the height adjustment pipe (8), place the fan head assembly (10) onto the top of the height adjustment pipe (8). Secure it by tightening the fixed knob (9). Fig. 5

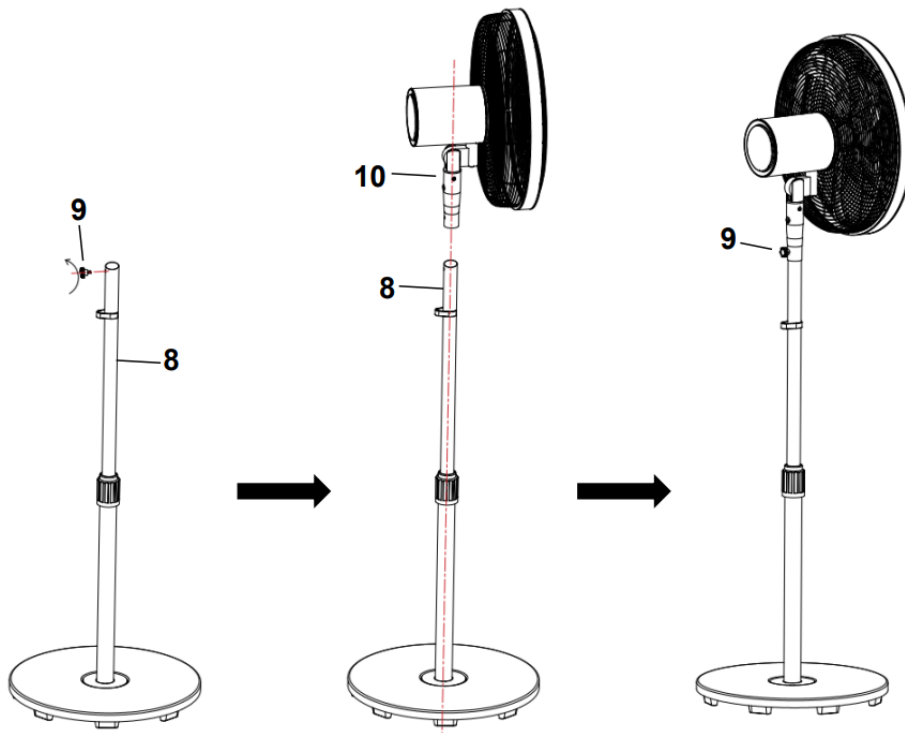


Fig. 5

- Insert the adapter connector (12) into the pedestal fan socket. Fig.6
- Tip the adapter cable onto the height adjustment pipe with the power cord clip (11). Fig.6
- Insert the adapter (13) into the mains socket outlet and ensure it is fully plugged in. Fig.6

NOTE: Only use with the supplied adapter, the adapter model is DZ036CHL240150S.

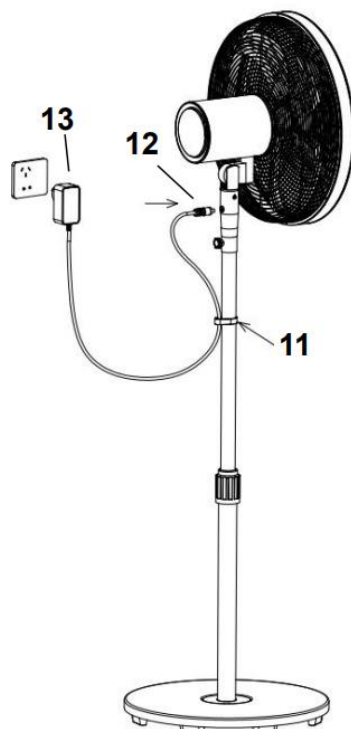


Fig. 6



USING YOUR FAN

OPERATING THE CONTROL PANEL

: Fan Timer LED indicator

The LED indicator on the fan body light up to indicate fan timer button has been touched and fan timer function has been activated.

: Standby LED indicator

The LED indicator on the fan body light up to indicate the power is on.

: 1,2,3 LED indicators

The LED indicator on the fan body light up to indicate fan timer button or fan speed button has been touched and fan timer function or fan speed function has been activated.

: Fan On/Off Button

Touch the button to turn the fan on/ off. When turn on the fan, the fan runs on speed 1.

: Speed Button

Touch the button to select and switch the speeds from speed 1 to speed 6. The details are as follows: the corresponding 1,2,3 LED indicators turn on respectively for speed 1 to speed 3; when speed 4 is working, indicators 1 and 3 turn on; when speed 5 is working, indicators 2 and 3 turn on; when speed 6 is working, indicators 1,2,3 turn on.

: Fan Swing Function On/Off Button

Touch the button to activate the fan oscillation function when fan is running.

: Fan Timer Button

Touch the button to activate the fan timer function, the minimum timed period is 1 hour and the maximum is 6 hours. each time the button is touched, the time increased by one hour in a cyclic manner: 1-2-3-4-5-6-1-2-3-4-..... When the timer is setting, the corresponding status 1,2,3 LED indicator turn on simultaneously, the details are as follows: the corresponding 1,2,3 LED indicators turn on respectively for 1 hour to 3 hours; 4 hours, indicators 1 and 3 turn on; 5 hours, indicators 2 and 3 turn on; 6 hours, indicators 1,2,3 turn on. After the setting is completed, over 5 seconds, the fan timer LED indicator turn off and the status indicator light switches to the current working speed and the fan enters the countdown to turn off.



Note: when the fan is working, touch the fan on/off button to turn off all working settings, the Standby LED indicator on the fan body will light up, and the fan will enter standby mode.



Note: when the fan is in working state and no operation is performed for 30 seconds, all status indicator lights will turn off. at this time:

- Touch the fan on/off button to turn off the fan directly.
- Touching any button (except the fan on/off button) for the first time will wake up the indicator lights, and the second touch will trigger the function setting.

CARE AND CLEANING

NOTE: Always turn OFF the power and unplug from the mains socket outlet before performing any maintenance or attempting to clean your fan.

- Every 6 months periodic cleaning of your fan is the only maintenance required. Use a soft brush or lint free cloth to avoid scratching the paint finish. Please turn off electricity power when you do so.
- Do not soak or immerse your fan in the water or other liquids. It could damage the motor or the blades and create the possibility of an electrical shock.
- Ensure that the fan does not come in contact with any organic solvents or cleaners.
- To clean the fan blade, wipe with only a damp clean cloth with NO organic solvents or cleaners.
- The motor has a permanently lubricated ball bearing so there is no need to oil.

TECHNICAL INFORMATION

Fan	16" GLIDE DC Pedestal fan	
Fan Models	SKU# 213264	SKU#213265
Rated Voltage	100-240V~ 50/60Hz	
Rated Wattage	36W	
Adapter	DZ036CHL240150S	
Weight	10.3kg	
Fan Dimensions	Dia:450mm E:430mm H:1500mm Max.	

* NOTE: The pedestal fan can only be used with the supplied adapter, the adapter model is DZ036CHL240150S

