

LEDLUX 12V Transformers

SKU# 220843, 220844

Rated Input Voltage 100V - 240V AC, Output 12V DC

Thank you for purchasing this quality LUCCI product. To ensure correct function and safety, please read and follow all instructions carefully before assembly, installation and use of this device. Please keep instructions for future reference.

NOTE: The quick connector of this device is ONLY compatible with the Lucci wiring kit and Lucci products.

Warranty

- This device is covered by a 3 year warranty. The warranty is from date of purchase, not the date of installation.
- Please retain proof of purchase for any warranty enquiries.
- Warranty will be void if there is any damage due to improper usage or modification to the device.
- Failure to comply with the instructions in this manual may increase the risk of damage or injury and will void warranty.

Installation Requirements

- All wiring and installation of the device must adhere to the latest local and national wiring rules. eg. AS/NZS 3000 Electrical installations. If unsure, please contact a licensed electrician.
- This device can only be used with the compatible Lucci products.
- Select a suitable location for installation:
 - **The transformer can protect against water penetration to IP67 standards, which is protected against the effects of temporary immersion in water.**
 - **The wiring kit and the quick connectors are rated IP65 and are not designed to be immersed in water. The installation location may require a gravel substrate to help with water drainage, to prevent the wiring kit and connectors being submerged in water after heavy rain or from watering the garden.**
- The equipment can't be abutted against or covered by thermal insulation or used in installations where thermal insulation or their debris may be present. Refer to the Figure 2 for minimum clearance to building element.
- Take care not to pull any electrical wires during unpacking as this may damage the connection.
- Lay out all the components on a smooth surface and make sure there are no components missing before assembling. If parts are missing, return the complete product to the place of purchase for inspection or replacement.
- Check whether the device has been damaged during transport. Do not operate/install any product which appears damaged in any way. Return the complete product to the place of purchase for inspection, repair or replacement.
- Ensure power to the circuit you are working on has been switched OFF before commencing any electrical work.

Installation Directions

Remove all packaging material from the product and be careful not to throw away accessories that may be hidden within the packaging material. If assembly is required, place the device on a smooth non-scratch surface.

1. Identify a suitable location for installation. Refer to the installation requirement.

NOTE: The plug part of the transformer has no protection against water penetration. It MUST BE plugged in a socket outlet in dry location or a socket outlet with suitable IP ratings.

2. Connect the luminaires to the quick connector.

NOTE:

For SKU# 220843, the Maximum allowed load to each quick connectors is 75W;

For SKU# 220844, the Maximum allowed load to each quick connectors is 100W.

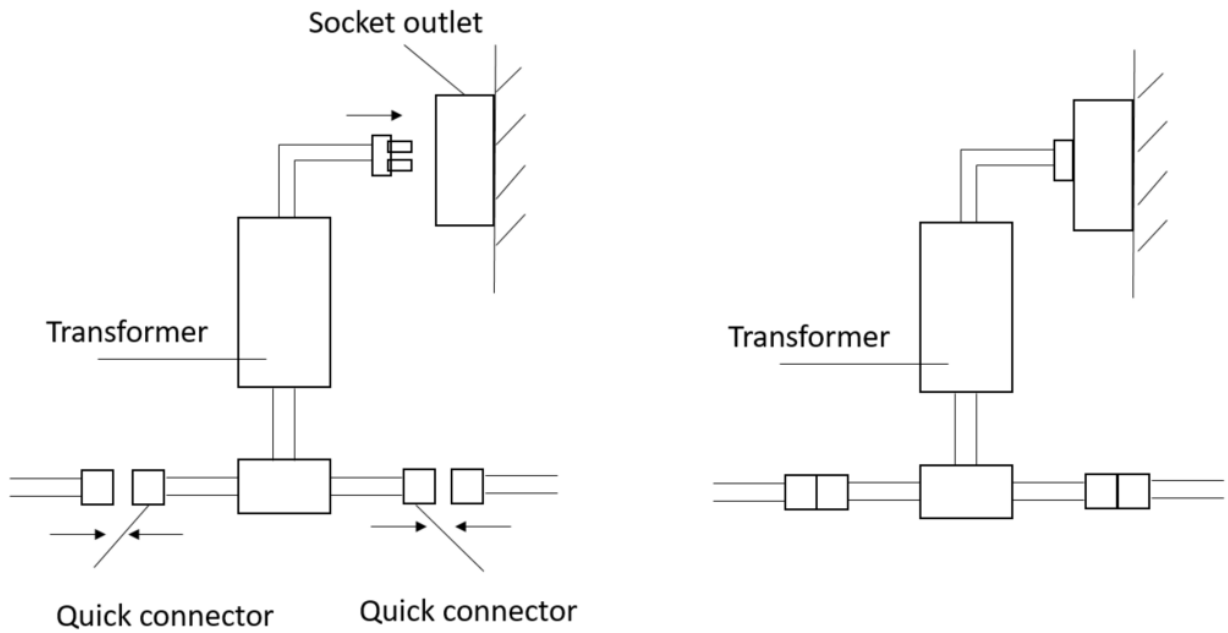


Figure 1 – Installation guide

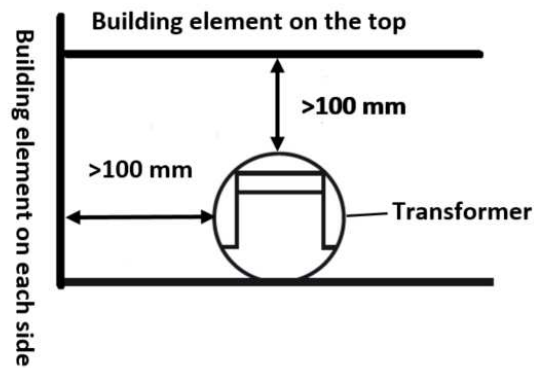


Figure 2 – Minimum clearance to building element

Safety Tips

- Always ensure the power is OFF and the device has cooled down before performing any maintenance, cleaning, or making any adjustment to the device.
- The external flexible cable or cord of this device cannot be replaced; if the cable or cord is damaged, the device shall be destroyed.
- To avoid injury or damage to the device, ensure that power leads and screws are secure before connecting the power.
- Ensure that the device does not come in contact with corrosive chemicals/solvents or abrasive cleaners etc.
- To clean, wipe with a damp clean cloth. Do NOT soak or immerse the device in water or other liquids.

Specifications

SKU #	220843	220844
Rated Voltage	Input: 100-240V AC Output: 12V DC	Input: 100-240V AC Output: 12V DC
Max. Load	Total 150W (Max.75W for each quick connectors)	Total 200W (Max.100W for each quick connectors)
IP Rating	IP67 – Transformer IP65 – Quick connectors	
Weight	1.1 kg	1.6kg
Dimensions	H: 40mm L: 192mm W: 70mm Max.	H: 40mm L: 250mm W: 70mm Max.