

Norwest

SKU# 220960, 220961, 220962

Rated Voltage 220-240V~ 50Hz

Thank you for purchasing this quality Lucci product. To ensure correct function and safety, please read and follow all instructions carefully before assembly, installation and use of this product. Please keep instructions for future reference.

Warranty

- This light fitting is covered by a 5 year warranty. The warranty is from date of purchase, not the date of installation.
- If the fitting is not installed by a licensed electrician the warranty will be void.
- Please retain proof of purchase and evidence of installation by a licensed electrician for any warranty claims.
- Warranty will be void if there is any damage due to improper usage or modification to the fitting.
- Failure to comply with the instructions in this manual may increase the risk of damage or injury and will void warranty.

Installation requirements

- Must be installed by a licensed electrician.
- All wiring and installation of the light fitting must adhere to local and national wiring rules.
eg. AS/NZS 3000:2007/Amendment 2:2012 Electrical installations.
- This fitting is a Class I product and must be earthed.
- This fitting is rated IP44, this must be maintained during wiring and installation.
- Do not exceed the maximum wattage rating.
- Select a suitable location for installation;
 - The mounting point must be able to support 2 times the weight of the fitting.
 - A clearance of 0.3m must be kept between the globe and the nearest wall or object etc.
 - The fitting must be installed undercover, in a location where water cannot enter the canopy.
 - This fitting is protected against water penetration to IP44 standards, which is water splashing from any direction.
- The fitting must not be used if the glass shade has been damaged or cracked.
- Take care not to pull any electrical wires during unpacking as this may damage the connection.
- Lay out all the components on a smooth surface and make sure there are no components missing before assembling. If parts are missing, return the complete product to the place of purchase for inspection or replacement.
- Check whether the fitting has been damaged during transport. Do not operate/install any product which appears damaged in any way. Return the complete product to the place of purchase for inspection, repair or replacement.
- Ensure power to the circuit you are working on has been switched OFF before commencing any electrical work.

Installation directions

Remove all packaging material from the product and be careful not to throw away accessories that may be hidden within the packaging material.

1. Use the fitting as a template to mark the screw positions on the ceiling.
2. Remove the cover from the terminal block.
3. Connect the mains supply wire to the terminal block. Ensure the wires are secure and no bare wires are exposed. Install the cover back onto the terminal block.

Mains Supply Wire

Earth – Yellow/Green 

Neutral – Blue or Black

Live – Brown or Red

Fitting Wire

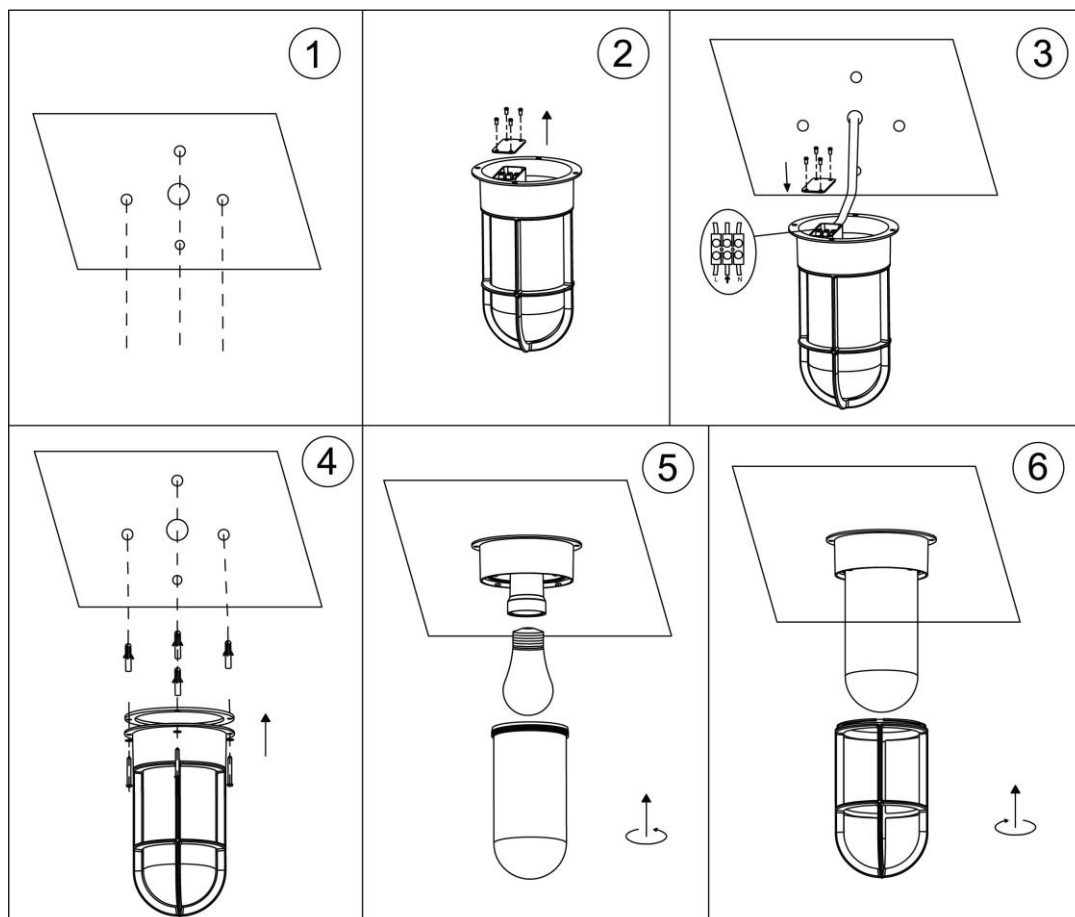
Yellow/Green or 

Blue

Brown

NOTE: It is recommended that a non-corrosive bead of silicone be applied before installation to ensure no water can run down into the cabling.

4. Install the fitting and the gasket on the ceiling by using appropriately sized mounting screws and anchors. Ensure the mounting screws and anchors used are suitable for the mounting surface and the surrounding environment.
5. Install a globe (not included) into the lamp holder. Do not exceed the maximum wattage rating.
Install the glass shade onto the fitting by rotating it anti-clockwise. Take care not to cross thread
6. Install the grill by rotating it clockwise. Take care not to cross thread.
7. Make any final adjustments to the fitting and check that all parts are done up tightly before turning on.



Safety tips

- Always ensure the power is OFF and the fitting has cooled down before performing any maintenance, cleaning, changing the globe or making any adjustment to the fitting.
- To avoid injury or damage to the fitting, ensure that power leads and screws are secure before connecting the power.
- Select a suitable location away from liquids and hazards.
- Ensure that the fitting does not come in contact with corrosive chemicals etc.
- To clean, wipe with a damp clean cloth. Never soak the fitting with water.

Specifications

SKU #	220960	220961	220962
Colour	Aged Nickel	Copper Finish	Solid Brass
Rated Voltage	220-240V~ 50Hz		
Rated Wattage	45W MAX		
Lamp Holder	ES / E27		
IP Rating	IP44		
Weight	1.2kg		

Dimensions	H:202mm Dia:121mm
------------	-------------------