

WANAKA 2 LIGHT ADJUSTABLE WALL LIGHT

With Version 2.0 connector

SKU# 221152,221155

Rated Voltage 12/24V AC/DC

NOTE: This installation instruction applies to the 12/24V side of the luminaire only.

This luminaire is rated 24V and is classified as ELV (Extra Low Voltage).

This luminaire can be DIY and does not require any electrical connection or disconnection.

Do not plug this luminaire directly into 240V.

When working with 240V, a licensed electrician is required.

The assistance of a technical person with the correct tools may be required to complete the installation.

The Lucci wiring kit (SKU# 220826, 220827) and Lucci transformer (SKU# 220818, 220819, 220829) are sold separately.

To ensure correct function and safety, please read and follow all instructions carefully before assembly, installation and use of this luminaire. Please keep instructions for future reference.

Warranty

- This luminaire is covered by a 5-year warranty. The warranty is from date of purchase, not the date of installation.
- Please retain proof of purchase for any warranty enquiries.
- Warranty will be void if there is any damage due to improper usage or modification to the luminaire.
- Failure to comply with the instructions in this manual may increase the risk of damage or injury and will void warranty.
- Warranty will be void if the cabling is installed underground without suitable protection from water or damp conditions

Installation requirements

- All wiring and installation of the luminaire must adhere to the latest local and national wiring rules. eg. AS/NZS 3000 Electrical installations. If unsure, please contact a licensed electrician.
- Do not exceed the maximum wattage rating.
- Replace any cracked protective lamp shade to maintain IP rating when using this luminaire.
- Select a suitable location for installation:
 - This luminaire is protected against water penetration to IP65 standards, which is high pressure jets of water from any direction. This must be maintained during installation.
 - The wiring kit and connectors are not suitable for underground installation without protection from water or damp conditions. Ensure they are positioned in a location where the water can be easily drained away. They are not designed to be immersed in water.
 - The installation location may require a gravel substrate to help with water drainage, to prevent the wiring kit and connectors being submerged in water after heavy rain or from watering the garden.
 - The mounting point must support 2 times the weight of the luminaire.
- Take care not to pull any electrical wires during unpacking as this may damage the connection.
- Lay out all the components on a smooth surface and make sure there are no components missing before assembling. If parts are missing, return the complete product to the place of purchase for inspection or replacement.
- Check whether the luminaire has been damaged during transport. Do not operate/install any product which appears damaged in any way. Return the complete product to the place of purchase for inspection, repair or replacement.
- Ensure power to the circuit you are working on has been switched OFF, before commencing any electrical work.

Installation Directions

WARNING: Ensure power to the circuit you are working on has been switched OFF before commencing the installation (Fig. 1).

1. Remove all the packaging material from the product and be careful not to throw away accessories that may be hidden within the packaging materials.
2. Remove the back plate from the luminaire by loosening the screws on the side (Fig. 2).
3. Use back plate as a template to mark screw positions on the wall.
4. Install the back plate onto the wall by using appropriately sized mounting screws and anchors. Ensure the screws and anchors used are suitable for the mounting surface and the surrounding environment (Fig. 3).

NOTE: Grub screws can be installed with back plate, if the wiring to the luminaire is done externally and not through the wall (Fig. 3).

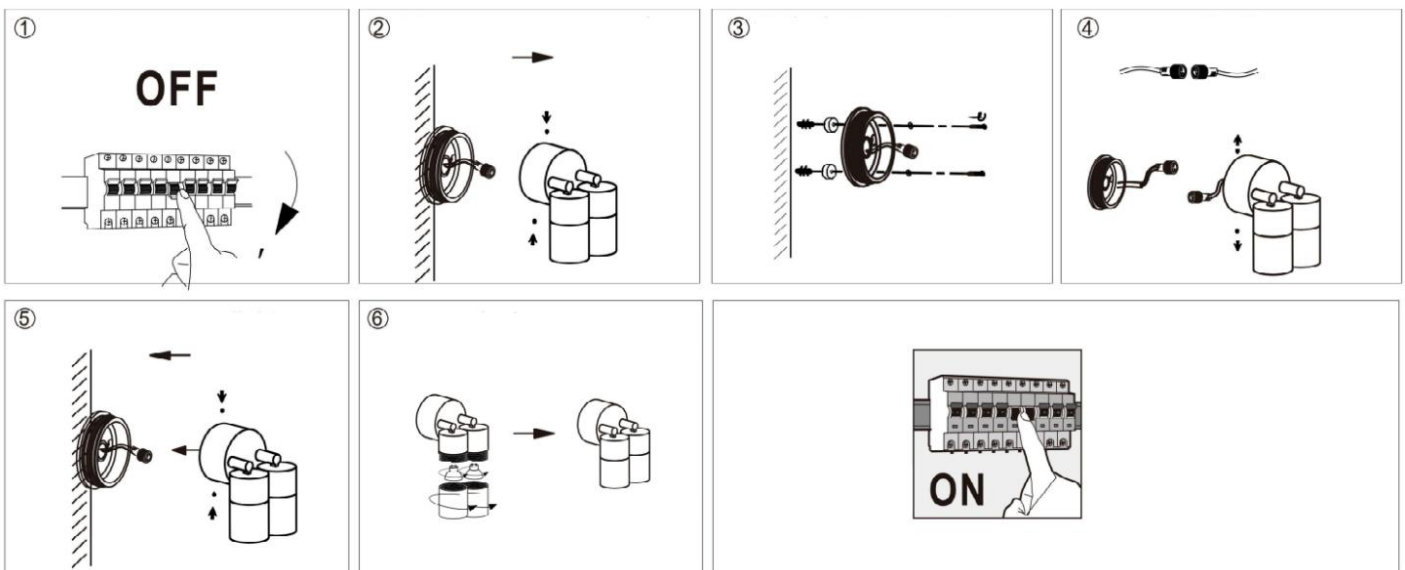
5. Connect the luminaire to the Lucci wiring kit (SKU# 220826, 220827 - sold separately). Ensure the connector is fully tightened. (Fig. 4)

NOTE: Do not exceed the load of the Lucci wiring kit and Lucci transformer which are rated 80VA, 28VA and 10VA load respectively.

6. Install the luminaire back onto the back plate by tightening the screws on the side. Ensure the wires are secure and no bare wires are exposed (Fig. 5).
7. Remove the lamp holder covers from the luminaire to install the lamp (not included) (Fig. 6).
8. Install lamps (not included) and lamp holder covers back to the luminaire (Fig. 6)
9. Adjust the head of luminaire to your desired angle.

NOTE: DO NOT tilt the head up or down more than 90 degrees, as this may damage the knuckle joint and internal wires.

10. Insert the plug into the mains power socket outlet (not included) and ensure it is fully plugged in.
11. After the installation, switch on the luminaire to test all the lighting functions and enjoy your new luminaire.



Safety

- Always ensure the power is OFF and the luminaire has cooled down before performing any maintenance, cleaning or adjustment to the luminaire.
- The external flexible cable or cord of this luminaire cannot be replaced; if the cable or cord is damaged, the luminaire should be destroyed.
- The luminaire must not be used if the protective shield has been cracked. Replace any cracked protective shield before using the luminaire.
- To avoid injury or damage to the luminaire, ensure that power leads and screws are secure before connecting the power.
- To clean, wipe with a soft damp cloth. Do NOT soak or immerse the luminaire in water or other liquids.
- Ensure that the luminaire does not come in contact with corrosive chemicals/solvents or abrasive cleaners etc.

Specifications

SKU #	221152	221155
Color	Black	White
Connector Type	Version 2	
Rated Voltage	12/24V AC/DC	
Rated Wattage	20W (2 x Max. 10W LED)	
Lamp Holder	GU5.3 (MR16 Globe (not included) recommended)	
IP Rating	IP65	
Weight	0.8 kgs	
Dimensions	H: 230mm W: 290mm E: 203mm max	