

**Get started**



**Download the  
LIFX app to begin.**



# Get me set up quick!

Ok, here's the basics of what we're going to do...

1. Download and login to the LIFX app
2. Connect your LIFX light to power.
3. Pair your device in the way that best suits you.

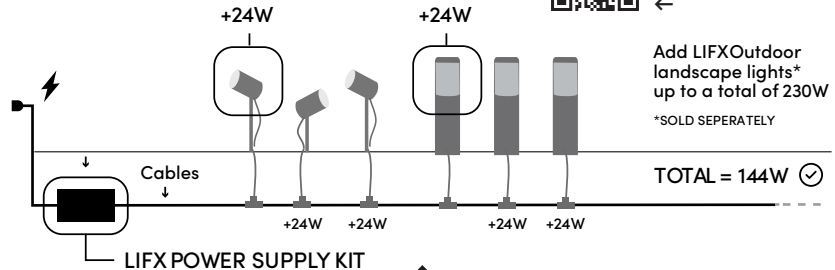
How?

Use the instructions here to assemble the pieces of this light, then connect it to your LIFX power supply and garden setup.

WE'LL SHOW YOU HOW AS SOON AS YOU'RE POWERED UP.



Quick Calculator ←



Add LIFXOutdoor landscape lights\* up to a total of 230W  
\*SOLD SEPARATELY

## Technical Stuff



2.4 GHz

You'll need a device running **iOS 14.0+** or **Android 8.0+** and a 2.4 GHz **Wi-Fi internet connection**.

Not sure what this is? See the page 'Your Wi-Fi'.



**LIFX Power Supply Kits support multiple lights.**

If you're planning a larger setup, calculate what products you can add to a single power supply.

# Ok, so how do I put it all together?

We'll explain quickly how.



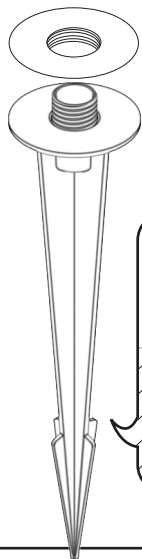
Prefer to watch videos?  
Text here too small or long?  
Visit [lifx.com/getstarted](http://lifx.com/getstarted)

FOR SETUP VIDEOS, INSPIRATION PICS,  
DIGITAL MANUALS & MORE...

## 1 DECIDE HOW YOU WANT TO INSTALL

### Ground Spike:

Use this to put the Spotlight in garden beds and other in-ground locations.



Find the desired location and plant the mounting stake (seen here) by firmly pressing it into the soil.

**A little tough?**  
Wet the soil or dig a little to soften it up. You can use a rubber mallet if you have one to ensure the entire stake is in the ground.

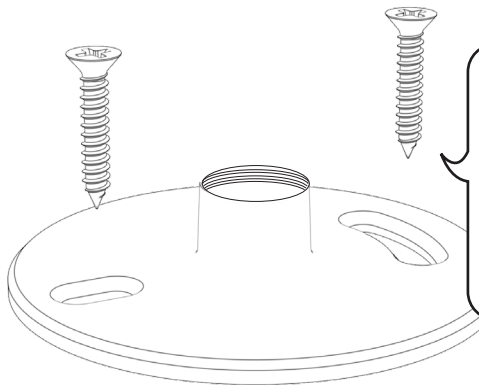


OR

### Mounting plate / stand:

Use this to mount the LIFX Spot to surfaces using the provided screws.

Pick the best place to mount your spotlight. You can adjust the head of the light to get different angles, but you'll want to make sure before you add screws that it'll face the way you want.



### Attaching to masonry?

Position the product then mark where you need your screws. Drill two 6mm holes. Push in the provided anchors. Line up the mount and install the screws into the anchor. Done!

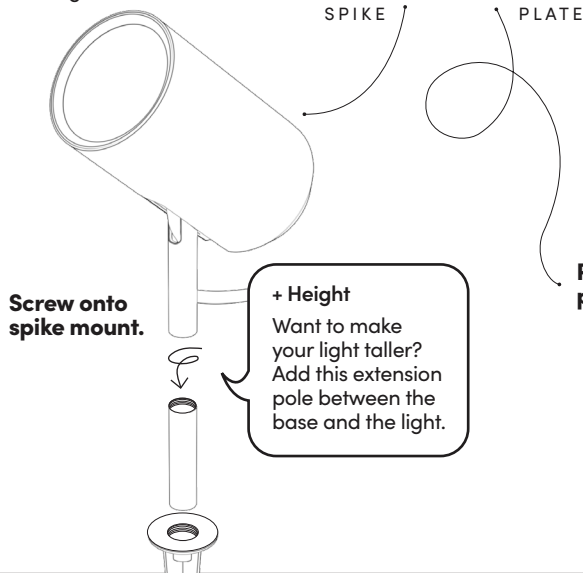
## Time to attach the light.

Whichever base you're using,  
it'll work the same way.

### 2 SCREW ON THE LIGHT (ADD THE EXTENSION POLE IF YOU LIKE)

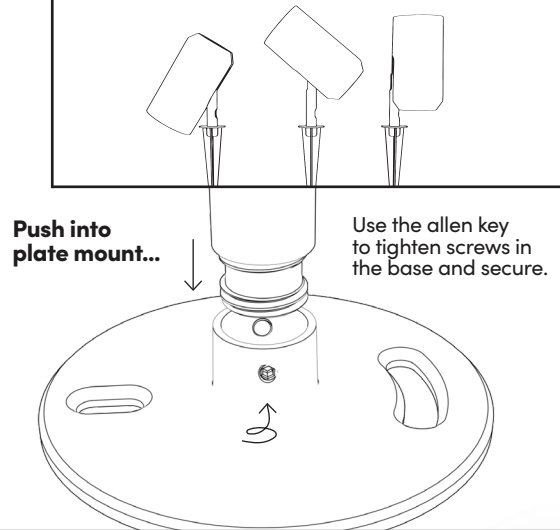
#### Attach the top to your chosen base.

Make sure there is no dirt or debris on the screw of the base, then attach the light using the screw threads, twisting until it's secure.



#### Point it where you like.

Adjust the head angle to suit your preferred setup. You can do this by holding the vertical pole and head and gently lifting or lowering the angle.



# Cautions:

(i.e. the important stuff.)

READ AND FOLLOW ALL SAFETY INSTRUCTIONS

- Connect this product ONLY to an official LIFX Outdoor Power Supply Kit or unit (sold separately).
- Do not submerge, or install in flood prone areas. Ensure the light itself is raised above ground level
- Do not mount or place near gas or electric heaters, fireplace, candles, or other similar sources of heat.
- Do not secure the wiring of the product with staples, nails, or sharp hooks.

**DO NOT DAMAGE THE WIRE.**

- If an external (detachable) flexible cable is damaged, it must only be replaced by a matching cable exclusively available from the manufacturer or place of purchase.
- If an affixed flexible cable component of a product is damaged, the entire attached unit must be destroyed.
- Do not use product for other than its intended use.

- Do not cover the product with cloth, paper or any material not part of the product when in use.
- Keep lamp away from any combustible surface.
- Read and follow all instructions that are on the product or provided with the product.
- This product should be installed out of the reach of children.

## Warning:

1. To avoid risk of shock, always make sure the product is disconnected from power before assembling, disassembling, installing, relocating, servicing or cleaning it.
2. Do not overload the LIFX Power Supply. Check the total Watts used by your connected LIFX products are within the load limit of your LIFX Power Supply. Allow 10% tolerance for distances over 20m.
3. Make sure all connectors are tightly secured to prevent water entry. Do not submerge.
4. The instructions in this manual are not intended to cover every possible installation, operation, maintenance, or mounting situation.

Safety first...

## 2 CONNECT THE WIRES

### Let's hook this baby up!

Connect the provided cable to your power supply unit, as you would any other accessory lighting product for your setup. Use the provided T-connector if you wish to add more products to the chain.

#### IMPORTANT!

Make sure your LIFX Power Supply has the correct load and distance allowances. Distance beyond recommendations may have reduced brightness or abnormal color mixing.



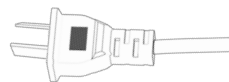
Quick Calculator  
←

Check you've got these lined up so the two sides fit together then screw the cap over the join tightly to ensure it's waterproof.

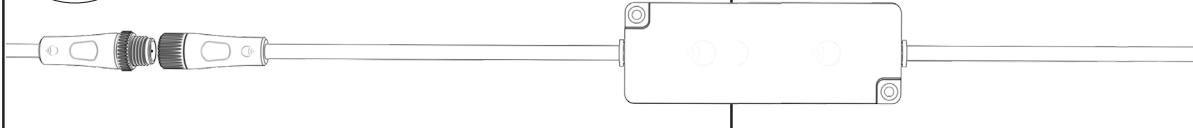


## 3 THEN...

### Plug in the Power Supply



T-CONNECTOR  
←



4. PICK HOW YOU WANT TO PAIR IT

**Download the LIFX App** (if you haven't yet)  
**and sign in. Make sure your light is on.**

You'll need the LIFX app for the all fun stuff, like blending awesome colors.

NEXT

GET TECHY WITH

The  **Matter set-up\***.

Your light will notify your device to add it via Matter. Click on this. Pick the smart home platform you want to add your light to.

Why?

Matter is a new, universal system for smart devices to work together seamlessly across 3rd party apps and various services.

\*To use Matter home and away, you'll need a Google, Apple or other smart home hub that's Matter-enabled.

**No notification?** No problem. Scan the QR code on the back of this manual to start setup any time.

OR

KEEP IT SIMPLE WITH

## The LIFX app.

Open your LIFX app and hit the + button in the bottom right. We'll guide you through from there.

Why?

You won't need to have any other accounts (like Google or Apple Home, Alexa etc) and you can use the LIFX cloud to control your device from anywhere. You can still use the Matter code on the back of this manual for quick setup in our app, and add it to other smart home apps later.

**Want to connect it to Google Home, Apple Home™ or Alexa later?** No problems. You can add lights to a 3rd party ecosystem at any time. Just go to settings in your LIFX app to connect any other accounts.

## Your Wi-Fi:

Router	802.11 b/g/n	WPA2 security compatible
--------	--------------	--------------------------

LIFX lights connect to your 2.4 Ghz Wi-Fi frequency network, which all routers can be set up for. This offers better range and stability for devices. You may also have a 5 Ghz connection, so if you're not sure which is which, check the current Wi-Fi you're connected to by pressing the Wi-Fi icon on your phone while connected and look at the listed details to find the frequency.

### Connection troubles?

Wi-Fi waves can be interrupted by materials like concrete or mirrors. If your signal is weak, try moving your product near your router for setup as it will need a stable connection to complete. If you have lots of devices connected to your router, check the recommended amount. Some routers can handle many devices, others can only support a few.

**Apple®** and **Apple Home** are trademarks of Apple Inc., registered in the U.S. and other countries and regions. Use of the Works with Apple badge means that an accessory has been designed to work specifically with the technology identified in the badge and has been certified by the developer to meet Apple's performance standards. Apple is not responsible for the operation of this device or its compliance with safety and regulatory standards.

**Alexa** and all related logos are trademarks of Amazon.com, Inc. or its affiliates.

**Google** and **Google Home** are trademarks of Google LLC.

**Samsung, SmartThings** and all related logos are trademarks of Samsung Electronics Co., LTD. or its affiliates.

## Quick FAQs

### How do I reset a light if I need to?

To take a light back to its original settings, unplug and replug the LIFX Connector 5 times, at a rate of about one time a second. The lights will cycle through four colors and stop on white when the reset has been successful. This is how you would remove a light from a network to then add it to a new one.

### I've set up a new network / changed my password, how do I re-connect my lights?

If you've changed your Wi-Fi password or set up a new router with a new password, you'll need to reset your lights (as above) and reconnect them with the new Wi-Fi information and security. If you've moved house but your network is named the same and has the same password, your lights are all ready to go!

**Need more help?**

Visit the LIFX Help Center at [support.lifx.com](https://support.lifx.com)



Text here a bit small? Grab a digital version at:  
[lifx.com/getstarted](https://lifx.com/getstarted)

# Regulations & Compliance.

## Changes & modification

Changes or modifications made to this device may void certification of the device. Changes or modifications made to this unit not expressly approved by the party responsible for compliance could void the user's authority to operate the equipment.

### Frequency Information

*Frequency Range (Europe & Australia): 2412-2472 MHz;*  
*Maximum radio-frequency power transmitted: 22.50dBm;*  
*Modulation type: IEEE 802.11 b/g/n/ax*

## Installation requirements & recommendation

It is recommended that LIFX products be installed away from other devices designed to receive or transmit radio signals. It is recommended LIFX products be installed and operated at a minimum distance of 30 cm from the body.

## Interference

LIFX has been designed to minimize interference with other radio, broadcast or receiving devices. The manufacturer is not responsible for any interference caused as a result of modifications to the product or by failure to adhere to the recommendations in this document and at [support.lifx.com](https://support.lifx.com). This device generates radio frequency energy and, if not installed in accordance with the "recommended installation requirements" may cause harmful interference to radio communication devices. If the device is causing radio interference it is recommended that the user try:

- a. relocating the device to a different place;
- b. adjust the antenna on the receiving device;
- c. consult a technician experienced in radio interference.

## Notices

- This device is not intended for use with emergency exits
- Only use the control provided with or specified by these instructions.

LIFX is not designed for use in:

- Excessively hot environments (e.g. close to ovens, radiators, heaters, etc.)
- Regions or countries other than that in which the product was intended for

## When using LIFX

- To avoid risk of shock, always make sure the product is unplugged from the electrical outlet before assembling, disassembling, installing, relocating, servicing or cleaning it.
- Do not open device, as this will void the warranty  
If cleaning the product, use a soft dry cloth, do not use cleaning agents.

## Limited Warranty

### General

Feit Electric Co ("LIFX") warrants the LIFX bulb (the "Product"), and only the Product, against defects in materials and workmanship under normal use ("Defect") for a period of TWO YEARS (730 days) from the date of retail purchase by the original purchaser ("Warranty Period"). Under this Limited Warranty, if a defect arises and a valid claim is received by LIFX within the Warranty Period, at its option and to the extent permitted by law, LIFX will either: 1. repair the Product at no charge, using new or refurbished replacement parts --or-- 2. exchange the Product with a new or refurbished Product.

In the event of a defect, to the extent permitted by law, these are your sole and exclusive remedies. A replacement Product or part assumes the remaining warranty of the original Product or ninety (90) days from the date of replacement or repair, whichever is longer. When a Product or part of the Product is exchanged, any replacement item becomes your property and the replaced item becomes LIFX's property. Parts provided by LIFX in fulfillment of its warranty obligation must be used in Products for which warranty service is claimed.

## Exclusions & Limitations

This Limited Warranty applies only to the Product manufactured by or for LIFX that can be identified by the "LIFX trademark, trade name, or logo affixed to it. The Limited Warranty does not apply to any (a) LIFX products and services other than the Product, (b) non-LIFX hardware product, (c) consumables (such as batteries), or (d) software, even if packaged or sold with the Product or embedded in the Product. Refer to the licenses accompanying the software for details of your rights with respect to its use. LIFX does not warrant that the operation of the Product will meet your needs or requirements or be uninterrupted or error free. LIFX is not responsible for damage arising from failure to follow instructions relating to the Product's use or from failures resulting from inadequate electrical supply or internet access. This warranty does not apply to a Product or part of the Product that has been altered or modified (e.g. to alter functionality or capability) by anyone who is not a representative of LIFX or if the Product is inserted or installed in a casing not provided by LIFX. In addition, this Limited Warranty does not apply to Defects or damage caused by (a) use with non-LIFX products; (b) accident, abuse, misuse, flood, fire, earthquake or other external causes or abnormal conditions; (c) operating the product outside the permitted or intended uses or conditions described by LIFX or with improper voltage or power supply; or (d) service (including upgrades and expansions) performed by anyone who is not a representative of LIFX. Recovery and re-installation of software programs and user data are not covered under this Limited Warranty. This Limited Warranty does not cover the cost of returning the Product to LIFX; this is your responsibility. No LIFX reseller, agent, or employee is authorized to make any modification, extension, or addition to this Limited Warranty. If any term is held to be illegal or unenforceable, the legality or enforceability of the remaining terms shall not be affected or impaired.

## EXCLUSIVE WARRANTIES

THE WARRANTIES SET FORTH HEREIN ARE THE EXCLUSIVE WARRANTIES PROVIDED BY LIFX, AND EXCEPT TO THE EXTENT PROHIBITED BY APPLICABLE LAW, ALL OTHER WARRANTIES, WHETHER EXPRESS OR IMPLIED WARRANTIES (INCLUDING WARRANTIES OF MERCHANTABILITY, FITNESS FOR A PARTICULAR PURPOSE AND NON INFRINGEMENT) ARE HEREBY EXCLUDED.

## LIMITATION OF DAMAGES

EXCEPT TO THE EXTENT PROHIBITED BY APPLICABLE LAW, LIFX SHALL NOT BE LIABLE FOR ANY INCIDENTAL, INDIRECT,

SPECIAL, OR CONSEQUENTIAL DAMAGES RESULTING FROM ANY USE OF THE PRODUCT OR BREACH OF EXPRESS OR IMPLIED WARRANTY OR CONDITION, OR UNDER ANY OTHER LEGAL THEORY. LIFX'S LIABILITY FOR DAMAGES RESULTING FROM ANY USE OF THE PRODUCT OR BREACH OF EXPRESS OR IMPLIED WARRANTY OR CONDITION, OR UNDER ANY OTHER LEGAL THEORY WILL BE LIMITED TO THE ORIGINAL COST PAID FOR OF THE DEFECTIVE PRODUCT.

## Consumer Protection

Some states do not allow the exclusion or limitation of incidental or consequential damages, or allow limitations on how long an implied warranty lasts, so the above limitations or exclusions may not apply to you. This warranty gives you specific legal rights, and you may also have other rights that vary by state to state.

## Governing Law and Arbitration

This Limited Warranty shall be governed by the laws of the State of California without giving effect to any conflict of laws principles that may provide the application of the law of another jurisdiction and without regard to the Convention on Contracts for the International Sale of Goods. Any claim or dispute in connection with this Limited Warranty shall be resolved in a cost effective manner through binding non appearance based arbitration. The arbitration shall be initiated through an established alternative dispute resolution provider mutually agreed upon by the parties. The alternative dispute resolution provider and the parties must comply with the following rules: a) the arbitration shall be conducted by telephone, online and/or be solely based on written submissions, the specific manner shall be chosen by the party initiating the arbitration; b) the arbitration shall not involve any personal appearance by the parties or witnesses unless otherwise mutually agreed by the parties; and c) any judgment on the award rendered by the arbitrator may be entered in any court of competent jurisdiction. If the foregoing arbitration clause does not apply for any reason, you agree to submit to the personal jurisdiction of the state courts located within San Francisco County, California and the federal courts in the Northern District of California for the purpose of litigating all such claims or disputes, which courts shall have exclusive jurisdiction of such claims or disputes. Notwithstanding the foregoing, LIFX may seek injunctive or other equitable relief to protect its intellectual property rights in any court of competent jurisdiction.

## Australian Consumer Law

Our goods come with guarantees that cannot be excluded under the Australian Consumer Law. You are entitled to a replacement or refund for a major failure and compensation for any other reasonably foreseeable loss or damage. You are also entitled to have the goods repaired or replaced if the goods fail to be of acceptable quality and the failure does not amount to a major failure. This product is distributed by:

Clever House Pty Ltd  
For consumer inquiries please email:

[info@cleverhouse.cc](mailto:info@cleverhouse.cc)

visit [www.cleverhouse.cc](http://www.cleverhouse.cc)

# Product Details

Chromaticity co-ordinates: colored light

$$x < 0,270 \text{ or } x > 0,530$$

$$y < -2,3172 x^2 + 2,3653 x - 0,2199$$

$$\text{or } y > -2,3172 x^2 + 2,3653 x - 0,1595$$



Minimum starting temperature.



Reaches 100% brightness in 1 second or less.



High quality LEDs rated for 25,000 hours of use.



Connects to your routers 2.4GHz Wi-Fi band.

Wi-Fi 802.11 b/g/n

24V DC Rating (Input)



**Equipment:**

This symbol on the product indicates that this product shall not be treated as household waste. Instead it shall be sent to the applicable collection point for the recycling of electronic equipment. By ensuring this product is disposed of correctly, you will help prevent potential negative consequences for the environment and human health. For more information about the recycling of this product, please contact your local city office.



**RoHS**



**SUPER QUICK SETUP**



**IMPORTANT!**

You'll want to keep this code for later.

**This is your matter code. It's for quick setup and for a more connected smart home experience. Awesome, right?**

Scan this when your LIFX product is powered up to and it'll guide you through.

FEIT ELECTRIC CO. is the exclusive owner of rights and interests in and to the mark LIFX and the LIFX logo. Covered by patents. [lifx.com/patents](https://lifx.com/patents)

© 2024, All rights reserved.