

MFL TANIMI DISC BOLLARD

SKU# 227135, 227136, 227137

Rated Voltage 12V AC/DC

To ensure correct function and safety, please read and follow all instructions carefully before assembly, installation and use of this luminaire. Please keep instructions for future reference.

NOTE: This installation instruction applies to the 12V side of the luminaire only.
This luminaire is rated 12V and is classified as ELV (Extra Low Voltage).
This luminaire can be DIY and does not require any electrical connection or disconnection.
Do not plug this luminaire directly into 240V.
When working with 240V, a licensed electrician is required.
The assistance of a technical person with the correct tools may be required to complete the install.
The Lucci wiring kit (SKU# 220826, 220827) and Lucci transformer (SKU# 220818, 220819, 220843, 220844)
are sold separately.

Warranty

- This luminaire is covered by a 5-years warranty valid for in-store replacement or refund only.
- The warranty period starts from the date of purchase. Please retain the proof of purchase for any warranty enquiries.
- This luminaire is not suitable for use with dimmer switches. The warranty will be void if the luminaire is used on the same circuit, which has a dimmer switch.
- Warranty will be void if there is any damage due to improper usage or modification to the luminaire.
- Failure to comply with the instructions in this manual may increase the risk of damage or injury and will void the warranty.

Installation Requirements

- All wiring and installation of the luminaire must adhere to the latest local and national wiring rules. E.g. AS/NZS 3000 Electrical installations. If unsure, please contact a licensed electrician.
- The luminaire must not be used if the protective shield has cracked. Replace any cracked protective shield before using the luminaire.
- Select a suitable location for installation:
 - This luminaire is protected against water penetration to IP65 standards, which is against low-pressure jets of water from all practicable direction; this must be maintained during installation.
 - The quick connector and wiring kit (sold separately) is not suitable for underground installation without protection from water or damp conditions. Ensure it is positioned in a location where the water can be easily drained away. They are not designed to be immersed in water.
 - The installation location may require a gravel substrate to help with water drainage, to prevent the quick connector and wiring kit (sold separately) being submerged in water after heavy rain or from watering the garden.
 - The mounting point must support 2 times the weight of the luminaire.
- Take care not to pull any electrical wires during unpacking as this may damage the connection.
- Lay out all the components on a smooth surface and make sure no components are missing before assembling. If parts are missing, return the complete product to the place of purchase for inspection or replacement.
- Check whether the luminaire has been damaged during transport. Do not operate/install any product which appears damaged in any way. Return the complete product to the place of purchase for inspection, repair or replacement.
- Do not plug into the mains power socket outlet before or during assembly. Only do so after the luminaire is fully assembled and is ready to use for the first time.

Installation Directions

1. Ensure power to the circuit you are working on has been switched OFF before commencing any electrical work.
2. Remove all packaging material from the luminaire and be careful not to throw away accessories that may be hidden within the packaging material.
3. Select a suitable location for installation, see the installation requirements on page 1.
Ensure there is adequate space for the luminaire and wiring.
4. Install the 3 pcs metal anchors (A) in the ground according to Figure 1&Figure 2.
5. Use the quick connector (C) to connect the luminaire to the Lucci wiring kit (SKU# 220826, 220827 - sold separately).
Ensure the connector is fully tightened. Figure 3.

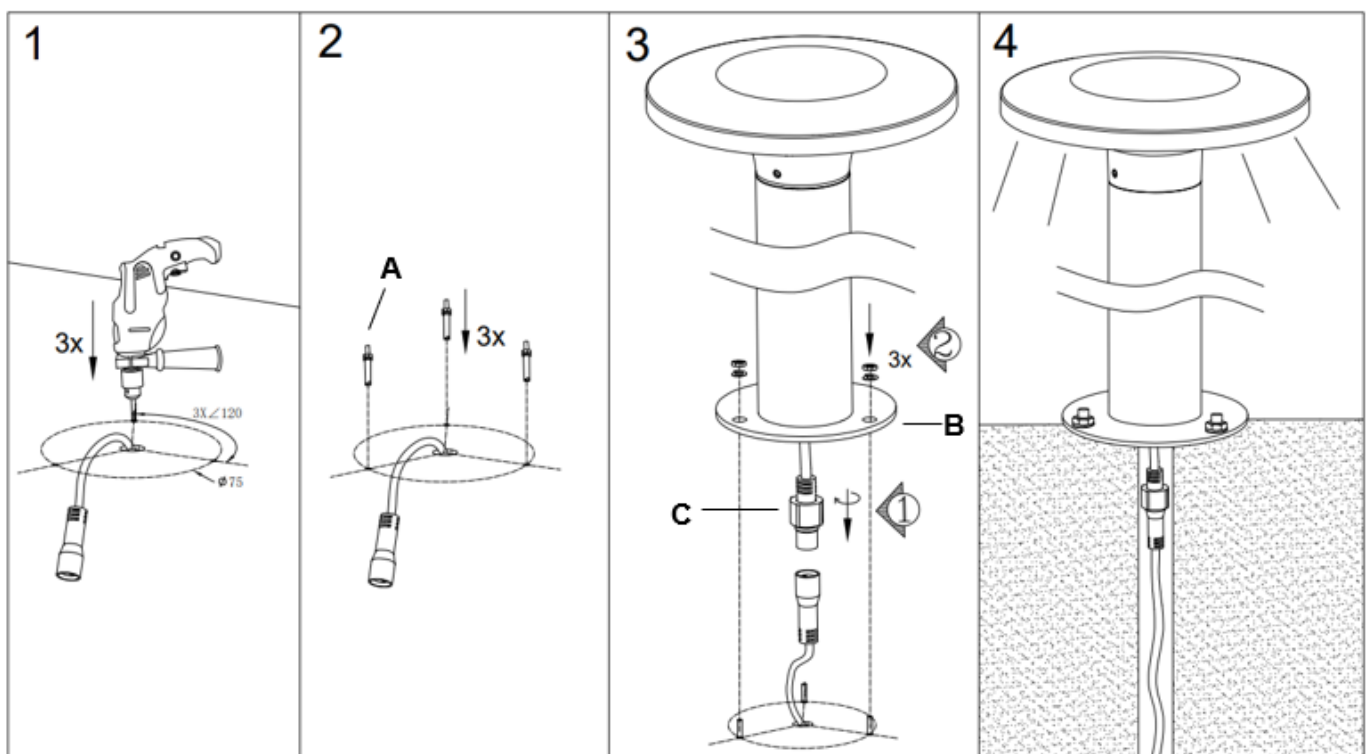
NOTE: The Lucci wiring kit is rated for Max. 80VA load only.

6. Connect the Lucci wiring kit (SKU# 220826, 220827 – sold separately) to the Lucci transformer (SKU# 220818, 220819, 220843, 220844 – sold separately).

NOTE: Do not exceed the load of the Lucci wiring kit and Lucci transformer which are rated 80VA, 28VA and 10VA load respectively.

NOTE: A non-corrosive bead of silicon MUST be applied before installation onto the wall, ensuring that no water can run down into the cabling.

7. Install the luminaire on the ground by locking the luminaire base (B) with metal anchors. Figure 3.
8. Insert the Lucci transformer plug (not included) into mains power socket outlet (not included) and ensure it is fully plugged in. Switch on the luminaire to test all the lighting functions and enjoy your new luminaire.



Safety Tips

- Always ensure the power is OFF and the luminaire has cooled down before performing any maintenance, cleaning or making any adjustment to the luminaire.
- The external flexible cable or cord of this luminaire cannot be replaced; if the cable or cord is damaged, the luminaire shall be destroyed.
- The luminaire must not be used if the protective shield has cracked. Replace any cracked protective shield before using the luminaire again.
- The light source of this luminaire is not replaceable; when the light source reaches its end of life, the whole luminaire shall be replaced. There are no serviceable parts, do not attempt to dismantle or open the luminaire.
- To avoid injury or damage to the luminaire, ensure that power leads and screws are secure before connecting the power.
- To clean, wipe with a soft damp cloth. Do NOT soak or immerse the luminaire in water or other liquids.
- Ensure that the luminaire does not come in contact with corrosive chemicals/solvents or abrasive cleaners etc.

Specifications

SKU #	227135	227136	227137
Colour	Black	Natural	Concrete
Rated Voltage	12V AC/DC		
Rated Wattage	10W		
LED Specs	450 lumens, 3000K, CRI>90, Non-Dimmable		
IP Rating	IP65		
Weight	4.0kg		
Dimensions	Dia:200mm H:650mm		
Compatible Wiring kit	Lucci SKU# 220826, 220827 (sold separately)		
Compatible Driver	Lucci SKU# 220818, 220819, 220843, 220844 (sold separately)		