

Installation Instructions
SKU# 230080, 230081, 230082
(LD-OFX-2101WH, LD-OFX-2101BK, LD-OFX-2101BE)
Rated Voltage 220-240V~ 50Hz

THANK YOU FOR PURCHASING THIS QUALITY LUCCI PRODUCT, TO ENSURE CORRECT FUNCTION AND SAFETY, PLEASE READ AND SAVE ALL INSTRUCTIONS CAREFULLY BEFORE USING THE PRODUCT.

WARRANTY:

- This light fitting is covered by a 12 month warranty; please retain proof of purchase and evidence of installation by a licensed electrician.

INSTALLATION AND SAFETY REQUIREMENTS:

- **Must be installed by a Licensed Electrician.**
- **Must be installed according to the current wiring rules AS/NZS3000.**
- **Do not exceed the maximum wattage rating.**
- **The mounting point must be able to support 4 times the weight of the fitting.**
- **The fitting is rated IP44, this must be maintained during installation.**

INSTALLATION DIRECTIONS:


- Take care not to pull any electrical wires during unpacking as this may damage the connection.
- Lay out all the components on a smooth surface and make sure there is no component's missing before assembling.
- Check whether the fitting has been damaged during transport. Do not operate/install any product which appears damaged in any way. Return the complete product to the place of purchase for inspection, repair or replacement.
- Ensure all power has been isolated for your own safety.

1. Remove the back plate (2) from the lamp body and use it as a template to mark the screw position onto the wall.
2. Drill holes in the wall and hammer the anchors (16) into the holes.
3. Insert the screws (1) through the bracket (2), and secure the bracket on the wall via tightening the screws (5). Ensure the screws used are suitable for the mounting surface.
4. Connect the mains supply wire to the light fitting using the terminal block (4) provided. Ensure that the wires are secure and no bare wires are exposed.

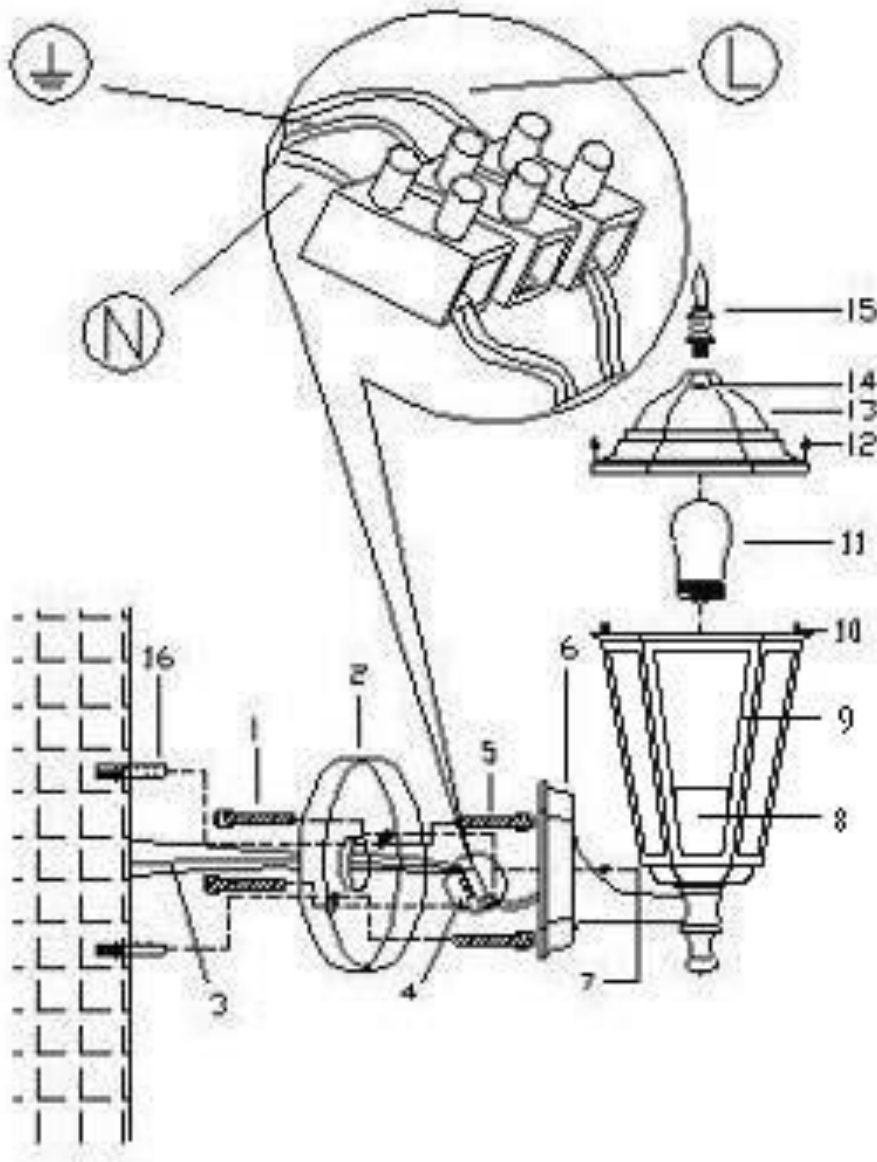
Mains Supply Wire

Earth – Yellow/Green
Neutral – Blue or Black
Live – Brown or Red

Fitting Wire

Yellow/Green 
Blue
Brown

5. Secure the terminal block (4) onto the back plate (2).
6. Attach the fitting (6) to the back plate (2) by tightening the securing nuts (7)
7. Install the bulb (not included) into the lamp holder (8)
8. Attach the finial (15) to the top cover (13) by tightening the nut (14).
9. Secure the top cover (13) on the fitting (9) by tightening the screws (10) and nuts (12).



TIPS:

1. To avoid injury or damage to the fitting, ensure that power leads and screws are secure before connecting the power.
2. Handle the fitting and cover/shade with care to avoid breakage.
3. When changing or cleaning bulbs, turn the power OFF and allow to cool. Do not touch bulbs with bare hands, use gloves or a tissue.
4. Find a suitable location away from liquids and hazards.
5. Ensure that the fitting does not come in contact with corrosive chemicals, etc.
6. To clean, wipe with a damp clean cloth. Never soak the fitting with water.

SPECIFICATIONS:

SKU #	MODEL #	RATED VOLTAGE	RATED WATTAGE	LAMP HOLDER	IP RATING
230080	LD-OFX-2101WH	220-240V~ 50Hz	1x Max. 100W	E27	IP44
230081	LD-OFX-2101BK	220-240V~ 50Hz	1x Max. 100W	E27	IP44
230082	LD-OFX-2101BE	220-240V~ 50Hz	1x Max. 100W	E27	IP44