

SENTINEL ADJUSTABLE WALL SPOT

SKU# 230310, 230311, 230312

Rated Voltage 220-240V~ 50Hz

Thank you for purchasing this quality Lucci product. To ensure correct function and safety, please read and follow all instructions carefully before assembly, installation and use of this product. Please keep instructions for future reference.

Warranty

- This light fitting is covered by a 12 month warranty. The warranty is from date of purchase, not the date of installation.
- If the fitting is not installed by a licensed electrician the warranty will be void.
- Please retain proof of purchase and evidence of installation by a licensed electrician for any warranty claims.
- Warranty will be void if there is any damage due to improper usage or modification to the fitting.
- Failure to comply with the instructions in this manual may increase the risk of damage or injury and will void the warranty.


Installation Requirements

- Must be installed by a licensed electrician.
- All wiring and installation of the light fitting must adhere to local and national wiring rules.
eg. AS/NZS 3000:2007/Amendment 2:2012 Electrical installations.
- This fitting is a Class I product and must be earthed.
- This fitting is rated IP65, this must be maintained during wiring and installation.
- Do not exceed the maximum wattage rating.
- Select a suitable location for installation:
 - The mounting point must be able to support 2 times the weight of the fitting.
 - A clearance of 0.5m must be kept between the globe and the nearest wall or object etc.
 - This fitting is protected against water penetration to IP65 standards, which is jets of water from any direction.
- Take care not to pull any electrical wires during unpacking as this may damage the connection.
- Lay out all the components on a smooth surface and make sure there are no components missing before assembling. If parts are missing, return the complete product to the place of purchase for inspection or replacement.
- Check whether the fitting has been damaged during transport. Do not operate/install any product which appears damaged in any way. Return the complete product to the place of purchase for inspection, repair or replacement.
- Ensure power to the circuit you are working on has been switched OFF before commencing any electrical work.

Installation Directions

1. Remove all packaging material from the product and be careful not to throw away accessories that may be hidden within the packaging material. (Fig. 1)
2. Remove the back plate from fitting by loosening the nuts on the front of the fitting. (Fig. 2)
3. Use the back plate as a template to mark the screw positions on the wall. (Fig. 3)
4. Install the back plate on the wall by using appropriately sized mounting screws and anchors. Ensure the mounting screws and anchors used are suitable for the mounting surface and the surrounding environment. (Fig. 4)
5. Connect the mains supply wire to the terminal block. Ensure the wires are secure and no bare wires are exposed.

Mains Supply Wire

Earth – Yellow/Green 

Neutral – Blue or Black

Live – Brown or Red

Fitting Wire

Yellow/Green or 

Blue or N

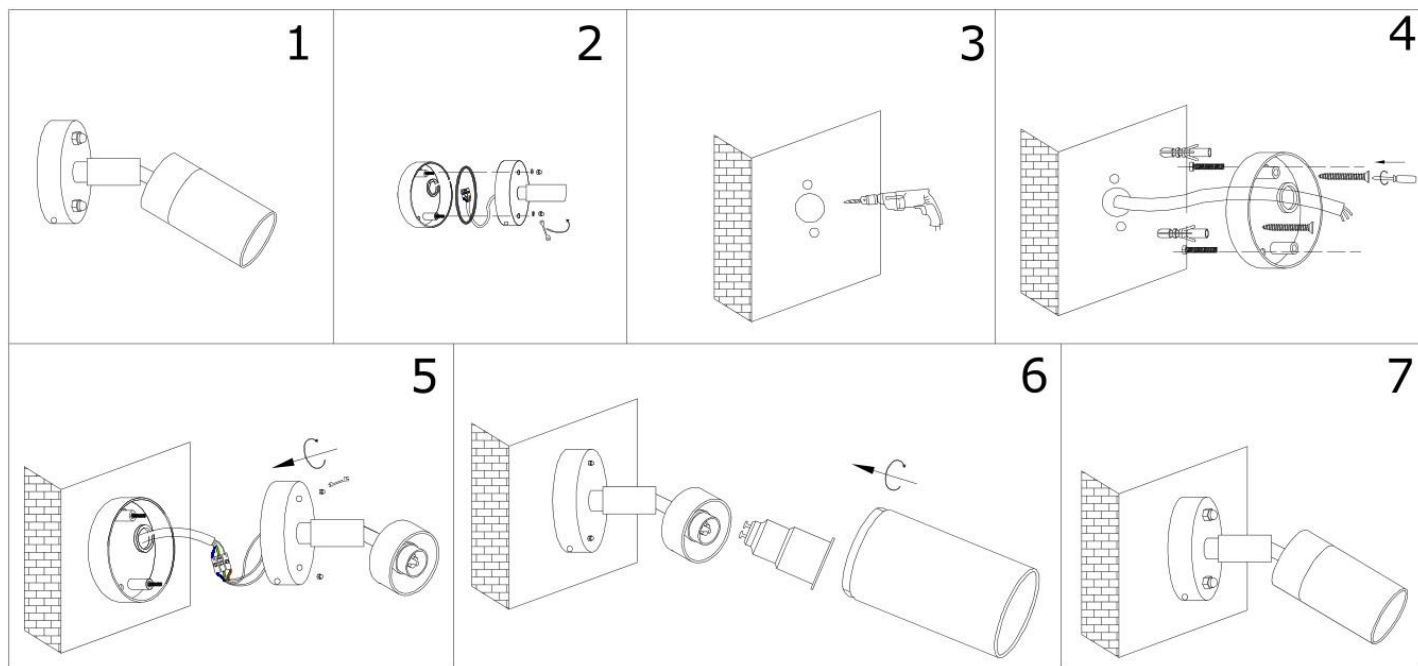
Brown or L

Attach the terminal block back onto the back plate. Take note of the directional label.

NOTE: It is recommended that a non-corrosive bead of silicone be applied before installation onto the wall ensuring that no water can run down into the cabling. (Fig. 5)

Install the fitting onto the back plate and tighten the nuts at the front of the fitting.

6. Install a globe (not included) into the lamp holder. Do not exceed the maximum wattage rating. (Fig. 6)
7. Make any final adjustments to the fitting and check that all parts are secured tightly before turning on. (Fig. 7)



Safety Tips

- Always ensure the power is OFF and the fitting has cooled down before performing any maintenance, cleaning, changing the globe or making any adjustment to the fitting.
- To avoid injury or damage to the fitting, ensure that power leads and screws are secure before connecting the power.
- The fitting must not be used if the shade has been cracked. Replace any cracked protective shield.
- Ensure that the fitting does not come in contact with corrosive chemicals etc.
- To clean, wipe with a damp clean cloth. Never soak the fitting with water.

Specifications

SKU #	230310	230311	230312
Material/Finish	Matte Black	304 Stainless Steel	316 Stainless Steel
Rated Voltage	220-240V~ 50Hz		
Rated Wattage	20W MAX		
Lamp Holder	GU10		
IP Rating	IP65		
Weight	0.4kg	0.5kg	
Dimensions	H:160mm W:160mm E:170mm	H:155mm W:155mm E:170mm	