

SOUTHAMPTON EXTERIOR WALL BRACKET

SKU# 230884, 230885

Rated Voltage 220-240V~ 50Hz

Thank you for purchasing this quality Lucci product. To ensure correct function and safety, please read and follow all instructions carefully before assembly, installation and use of this product. Please keep instructions for future reference.

Warranty

- This light fitting is covered by a 12 month warranty. The warranty is from date of purchase, not the date of installation.
- If the fitting is not installed by a licensed electrician the warranty will be void.
- Please retain proof of purchase and evidence of installation by a licensed electrician for any warranty claims.
- Warranty will be void if there is any damage due to improper usage or modification to the fitting.
- Failure to comply with the instructions in this manual may increase the risk of damage or injury and will void the warranty.

Installation Requirements

- Must be installed by a licensed electrician.
- All wiring and installation of the light fitting must adhere to local and national wiring rules. eg. AS/NZS 3000:2007/Amendment 2:2012 Electrical installations.
- This fitting is a Class I product and must be earthed.
- This fitting is rated IP23, this must be maintained during wiring and installation.
- Do not exceed the maximum wattage rating.
- Select a suitable location for installation:
 - The mounting point must be able to support 2 times the weight of the fitting.
 - This fitting is protected against water penetration to IP23 standards, which is spraying water at an angle of up to 60°.
- Take care not to pull any electrical wires during unpacking as this may damage the connection.
- Lay out all the components on a smooth surface and make sure there are no components missing before assembling. If parts are missing, return the complete product to the place of purchase for inspection or replacement.
- Check whether the fitting has been damaged during transport. Do not operate/install any product which appears damaged in any way. Return the complete product to the place of purchase for inspection, repair or replacement.
- Ensure power to the circuit you are working on has been switched OFF before commencing any electrical work.

Installation Directions

1. Remove all packaging material from the product and be careful not to throw away accessories that may be hidden within the packaging material.
2. Remove the mounting bracket (B) from the wall mount base (D) by loosening the screws (E) on the side.
3. Use the mounting bracket (B) as a template to mark the screw positions on the wall.
4. Install the mounting bracket (B) on the wall by using appropriately sized mounting screws (C) and anchors (A). Ensure the screws (C) and anchors (A) used are suitable for the mounting surface and surrounding environment.
5. Remove the terminal box (I) cover to access the terminal block and connect the mains supply wires.

Mains Supply Wire

Earth – Yellow/Green 

Neutral – Blue or Black

Live – Brown or Red

Fitting Wire

Yellow/Green or 

Blue or N

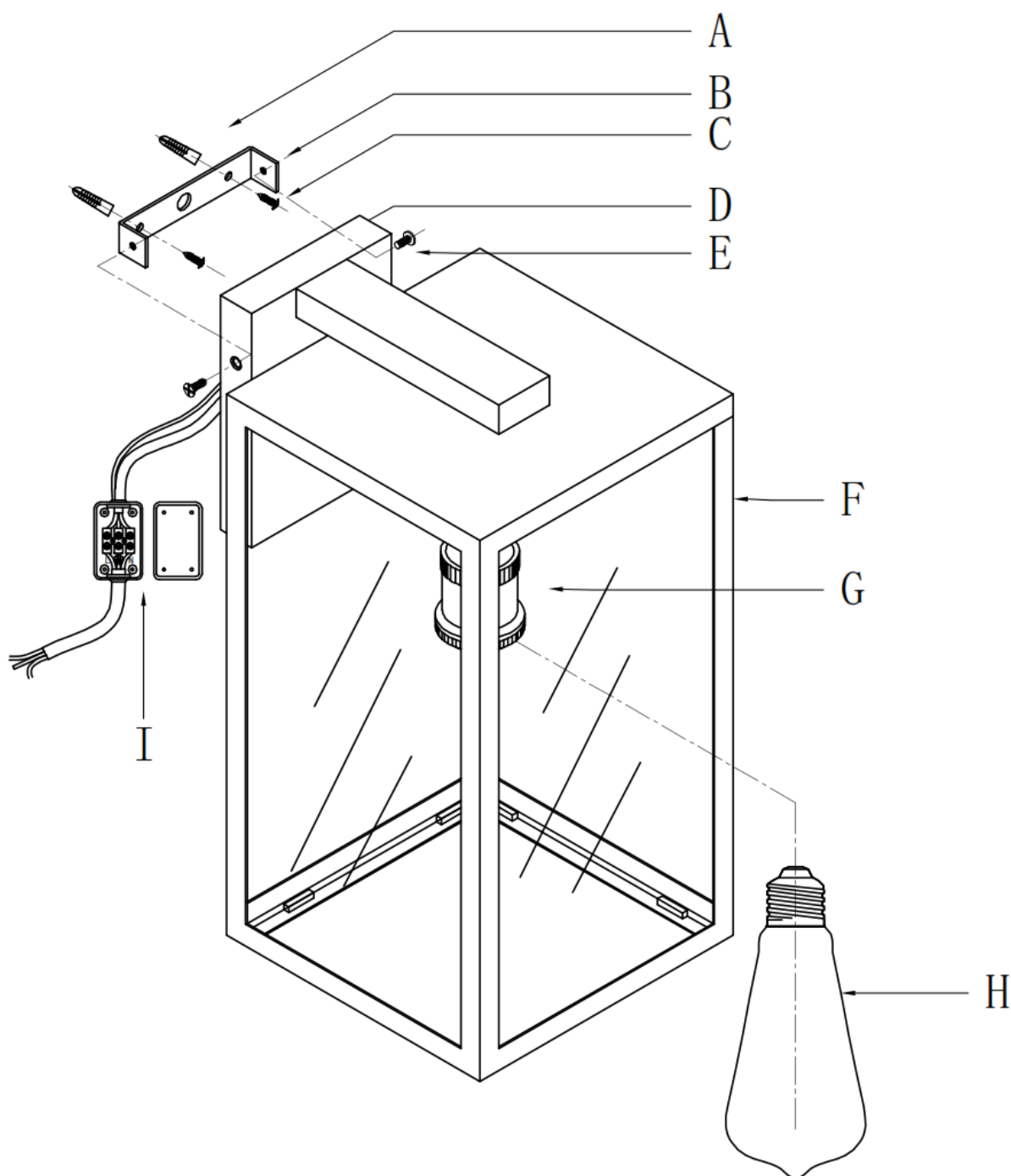
Brown or L

6. Ensure the wires are secure and no bare wires are exposed. Install the cover back onto the terminal box (I).
7. Place the terminal box (I) in the cavity at the rear of the wall mount base (D).

NOTE: It is recommended that a non-corrosive bead of silicone be applied before installation onto the wall ensuring that no water can run down into the cabling.

8. Install the fitting (F) onto the mounting bracket (B) and secure by tighten the screws (E) on the sides.
9. Install a globe (H - not included) into the lamp holder (G). Do not exceed the maximum wattage rating.
10. Return power to the electrical circuit and then switch ON/OFF to operate/check the installation.

- A** - Wall anchors x2
- B** - Mounting bracket x1
- C** - Mounting bracket screws x2
- D** - Wall mount base of Frame/Body
- E** - Frame/Body mount screws x2
- F** - Frame/Body (whole assembly)
- G** - Lampholder
- H** - Globe (Not included)
- I** - Terminal box / terminal block



Safety Tips

- Always ensure the power is OFF and the fitting has cooled down before performing any maintenance, cleaning, changing the globe or making any adjustment to the fitting.
- The fitting must not be used if the shade has been cracked or damaged. Replace any cracked protective shield.
- To avoid injury or damage to the fitting, ensure that power leads and screws are secure before connecting the power.
- The fitting must not be used if the protective shield has been cracked. Replace any cracked protective shield.
- To clean, wipe with a soft damp cloth. Do NOT soak or immerse the product in water or other liquids.
- Ensure that the fitting does not come in contact with corrosive chemicals/solvents or abrasive cleaners etc.

Specifications

SKU #	230884	230885
Rated Voltage	220-240V~ 50Hz	
Rated Wattage	45W Max.	
Lamp Holder	ES / E27	
IP Rating	IP23	
Weight	2.5kg	4.0kg
Dimensions	H:290mm W:150mm E:200mm	H:390mm W:200mm E:250mm