

LIMA 1 LIGHT UP WALL BRACKET

SKU# 230902

Rated Voltage 220-240V~ 50Hz

Thank you for purchasing this quality Lucci product. To ensure correct function and safety, please read and follow all instructions carefully before assembly, installation and use of this luminaire. Please keep instructions for future reference.

Warranty

- This luminaire is covered by a 12 month warranty. The warranty is from date of purchase, not the date of installation.
- If the luminaire is not assembled and installed by a licensed electrician the warranty will be void.
- Please retain proof of purchase and evidence of installation by a licensed electrician for any warranty enquiries.
- Warranty will be void if there is any damage due to improper usage or modification to the luminaire.
- Failure to comply with the instructions in this manual may increase the risk of damage or injury and will void warranty.


Installation Requirements

- This luminaire must be assembled and installed by a licensed electrician.
- All wiring and installation of the luminaire must adhere to the latest local and national wiring rules. eg. AS/NZS 3000 Electrical Installations.
- This luminaire is a Class I product and must be earthed.
- This luminaire is rated IP44, this must be maintained during wiring and installation.
- Do not exceed the maximum wattage rating.
- Select a suitable location for installation:
 - The mounting point must be able to support 2 times the weight of the luminaire.
 - A clearance of 0.1m must be kept between the globe and the nearest wall or object etc.
 - This luminaire is protected against water penetration to IP44 standards, which is splashing water from any direction.
- Take care not to pull any electrical wires during unpacking as this may damage the connection.
- Lay out all the components on a smooth surface and make sure there are no components missing before assembling. If parts are missing, return the complete product to the place of purchase for inspection or replacement.
- Check whether the luminaire has been damaged during transport. Do not operate/install any luminaire which appears damaged in any way. Return the complete product to the place of purchase for inspection, repair or replacement.
- Ensure power to the circuit you are working on has been switched OFF before commencing any electrical work.

Installation Directions

1. Remove all packaging material from the luminaire and be careful not to throw away accessories that may be hidden within the packaging material.
2. Remove the back plate from the luminaire by loosening the nuts at the front of the luminaire.
3. Use the back plate as a template to mark the screw positions on the wall and drill holes into the wall. (Fig. 1 & 2)
NOTE: Take note of the directional label. The drain hole must be facing down.
4. Install the back plate on the wall by using appropriately sized mounting screws and anchors. Ensure the screws and anchors used are suitable for the mounting surface and the surrounding environment. (Fig. 2 & 3)
NOTE: A non-corrosive bead of silicone must be applied before installation onto the wall ensuring that no water can run down into the cabling.
5. Connect the mains supply wire to the terminal block.
Ensure the wires are secure and no bare wires are exposed. (Fig. 4)


Mains Supply Wire

Earth – Yellow/Green 

Neutral – Blue or Black

Live – Brown or Red

Luminaire Wire

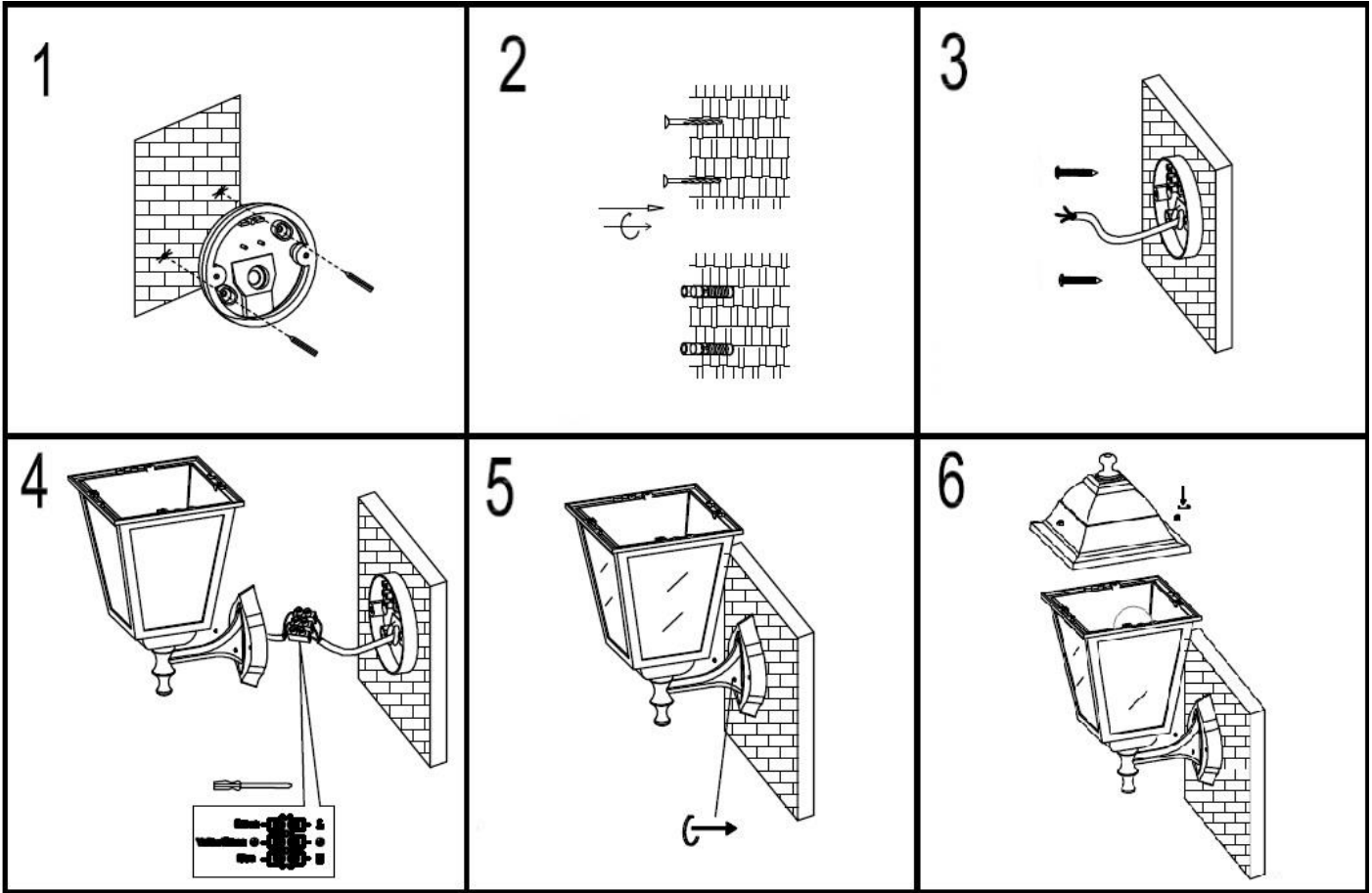
Yellow/Green or 

Blue or N

Brown or L

6. Install the luminaire onto the back plate, install the rubber washers and nuts at the front of the luminaire. (Fig. 5)
7. Install a globe (not included) into the lamp holder. Do not exceed the maximum wattage rating.

8. Install the top of luminaire onto the body. Install the rubber washers and nuts onto the luminaire. (Fig. 6)
9. Check that all parts are secured tightly. Switch on the luminaire to test and enjoy your new lighting product.



Safety Tips

- Always ensure the power is OFF and the luminaire has cooled down before performing any maintenance, cleaning, changing the globe or making any adjustment to the luminaire.
- To avoid injury or damage to the luminaire, ensure that power leads and screws are secure before connecting the power.
- To clean, wipe with a soft damp cloth. Do NOT soak or immerse the luminaire in water or other liquids.
- Ensure that the luminaire does not come in contact with corrosive chemicals/solvents or abrasive cleaners etc.

Specifications

SKU #	230902
Rated Voltage	220-240V~ 50Hz
Rated Wattage	60W Max.
Lamp Holder	ES / E27
IP Rating	IP44
Weight	1.0kg
Dimensions	H:320mm W:200mm E:147mm