

Installation Instructions
SKU# 230902, 230921
(LD-330W-BK, LD-500W-BK)
Rated Voltage 220-240V~ 50Hz

PLEASE READ & SAVE ALL INSTRUCTIONS CAREFULLY BEFORE USING THE PRODUCT

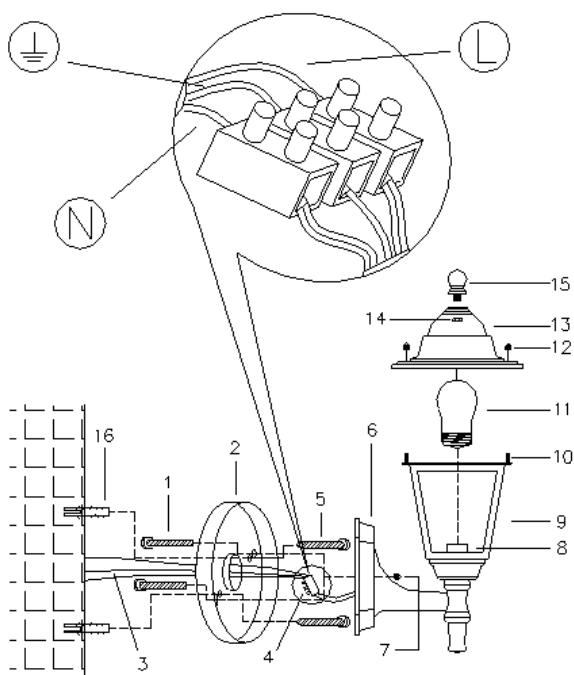
WARNING - to reduce the risk of fire, electrical shock or injury to persons or property, please follow the guideline below for safe use and installation.

INSTALLATION REQUIREMENTS:

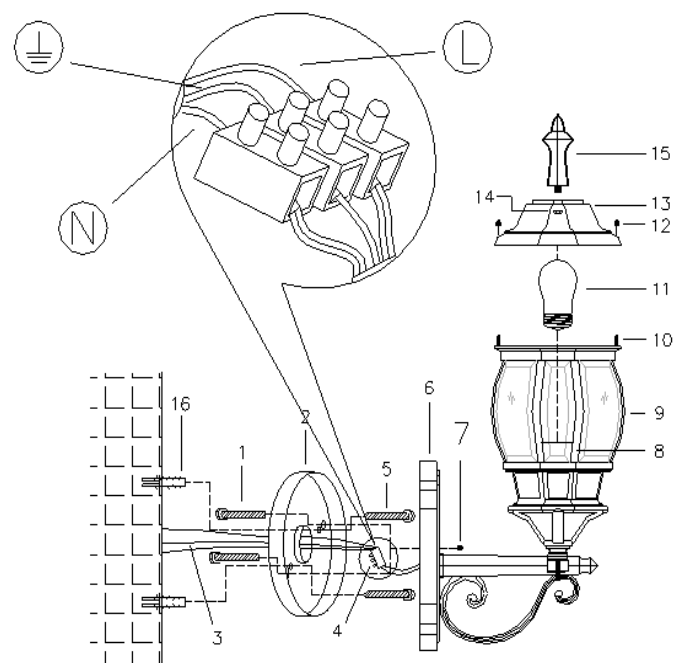
- **Must be installed by a Licensed Electrician.**
- **Must be installed according to the current wiring rules AS/NZS3000.**
- **Do not exceed the maximum wattage rating**
- **The fitting is rated IP44**

INSTALLATION DIRECTIONS:

- Check whether the fitting has been damaged during transport. Do not operate/install any product which appears damaged in any way. Return the complete product to the place of purchase for inspection, repair or replacement.
- Take care not to pull wire during unpacking as a bad connection may occur.
- Ensure all power is turned off before installation.
- Level all the components on a smooth surface and make sure there is no component missing before assembly.



SKU# 230902 (LD-330W-BK)



SKU# 230921 (LD-500W-BK)

1. Drill the holes on the wall and hammer the anchors (16) into the holes.
2. Insert the screws(1) through the bracket (2), and secure the bracket on the wall via tightening the screws (5)
3. Connect the mains supply wire to the light fitting using the terminal block (1) provided. Ensure that the wires are secure and no bare wires are exposed.

Mains Supply Wire	Fitting Wire ↵
Earth – Yellow/Green	Yellow/Green ⊕ ↵
Neutral – Blue or Black	Blue↵
Live – Brown or Red	Brown↵

4. Secure the terminal block (4) on the bracket (2).
5. Secure the lamp base (6) on the screws (1) via tightening the screw nuts (7)
6. Install the bulb (not include) on the lamp holder (8)
7. Secure the finial (15) on the lamp shape cover (13) via tightening the screw nuts (14).
8. Secure the lamp shape cover (13) on the lamp shape (9) via tightening the screws (10) and nuts (12).

TIPS

1. To avoid injury or damage to the fitting, ensure that power leads and screws are secure before connection the power.
2. Handle the fitting and cover/shade with care to avoid breakage.
3. When changing or cleaning bulbs, turn OFF power and allow to cool. Do not touch bulbs with bare hands, use gloves or a tissue.
4. Find a suitable location away from liquids and hazards.
5. Ensure that the fitting does not come in contact with corrosive chemicals, etc.
6. To clean, wipe with a damp clean cloth. Never soak the fitting with water.

SPECIFICATIONS:

SKU #	MODEL #	RATED VOLTAGE	LAMP HOLDER	RATED WATTAGE
230902	LD-330W-BK	220-240V~50Hz	E27	1x Max. 60W
230921	LD-500W-BK	220-240V~50Hz	E27	1x Max. 60W