

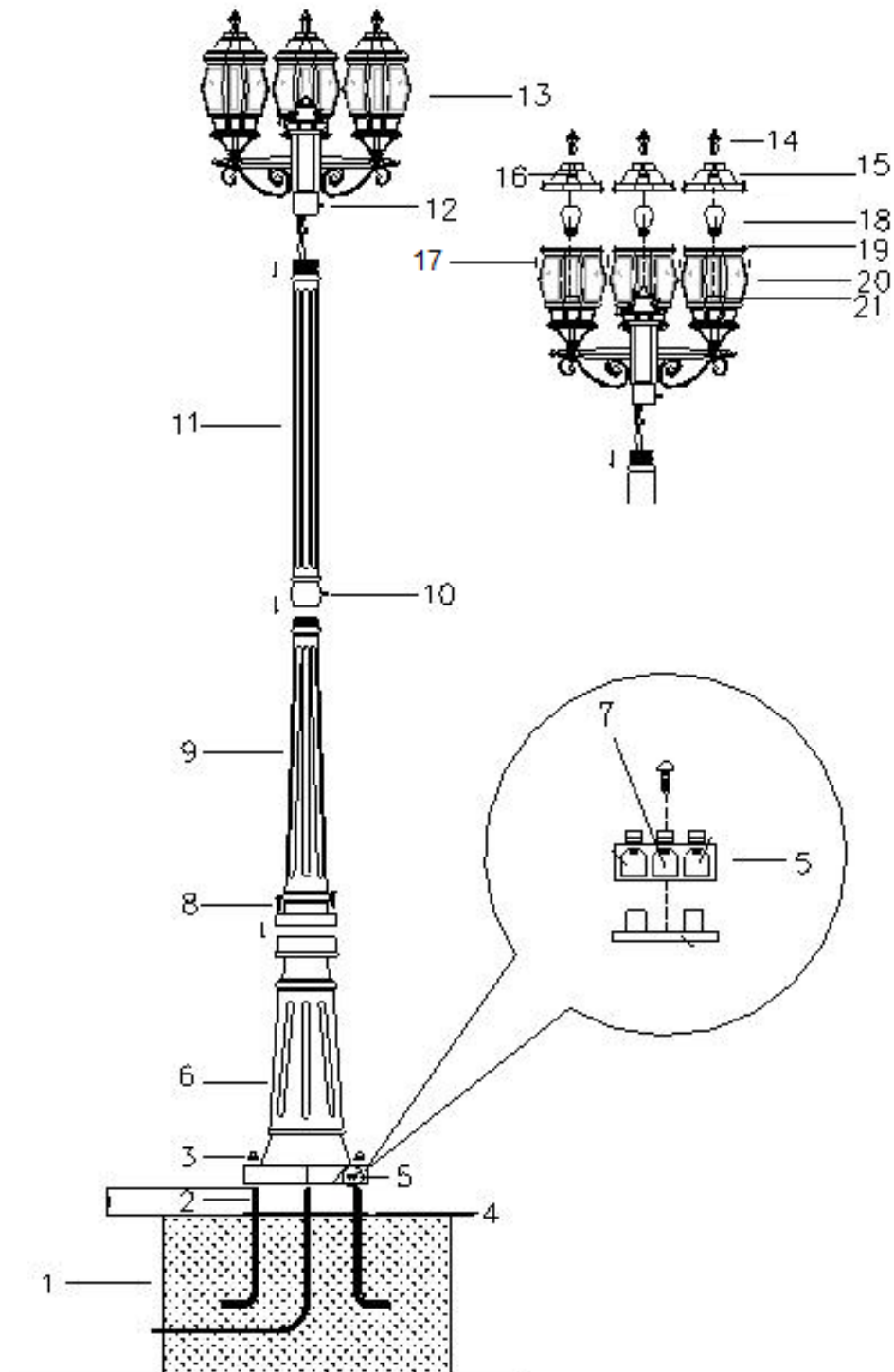
Installation Instructions
SKU# 230924 (LD-500F-BK)
Rated Voltage 220-240V~ 50Hz

PLEASE READ & SAVE ALL INSTRUCTIONS CAREFULLY BEFORE USING THE PRODUCT

WARNING - to reduce the risk of fire, electrical shock or injury to persons or property, please follow the guideline below for safe use and installation.

INSTALLATION REQUIREMENTS:

- **Must be installed by a Licensed Electrician.**
- **Must be installed according to the current wiring rules AS/NZS3000.**
- **Do not exceed the maximum wattage rating**
- **The fitting is rated IP44, this must be maintained during installation**



INSTALLATION DIRECTIONS:

- Take care not to pull any wires during unpacking as a bad connection may occur.
 - Level all the components on a smooth surface and make sure there is no component missing before assembly.
 - Check whether the fitting has been damaged during transport. Do not operate/install any product which appears damaged in any way. Return the complete product to the place of purchase for inspection, repair or replacement.
 - Ensure all power connection is off for your own safety.
 - Select a suitable location for installation. The mounting point must be able to support 4 times the weight of the fitting.
1. Fix the “L” shape screw bolt (2) under the ground (1) by setting it into concrete.
Ensure the “L” shape screw bolt (2) goes through the triangle plate (4) and ensure the “L” shape screw bolt (2) sticks out from triangle plate by 26mm.
 2. Join the lower post (9) onto the lamp base (6) via tightening the screws (8).
 3. Join the upper post (11) onto the lower post (9) via tightening the screw (10).
 4. Install the bulbs (18 - not included) into the lamp holders (21).
 5. Secure the finial (14) on the lamp shape cover (15) via tightening the screw nut (16).
 6. Secure the lamp shape cover (15) onto the lamp shape (20) via tightening the screws (17).
 7. Secure the assembled kit (13) onto the post (11) via tightening the screws (12).
 8. Connect the mains supply wire to the light fitting using the terminal block (5) provided. Ensure that the wires are secure and no bare wires are exposed.

Mains Supply Wire

Earth – Yellow/Green

Neutral – Blue or Black

Live – Brown or Red

Fitting Wire

Yellow/Green ⊕

Blue

Brown

9. Secure the terminal block (5) onto the lamp base (6) via tightening the screw (7).
10. Secure the lamp base (6) onto the “L” shape screw via tightening the screw nuts (3).

TIPS:

1. To avoid injury or damage to the fitting, ensure that power leads and screws are secure before connection the power.
2. Handle the fitting and cover/shade with care to avoid breakage.
3. When changing or cleaning bulbs, turn OFF power and allow to cool. Do not touch bulbs with bare hands, use gloves or a tissue.
4. Find a suitable location away from hazards.
5. Ensure that the fitting does not come in contact with corrosive chemicals, etc.
6. To clean, wipe with a damp clean cloth. Never soak the fitting with water.

SPECIFICATIONS:

SKU #	MODEL #	RATED VOLTAGE	LAMP HOLDER	RATED WATTAGE
230924	LD-500F-BK	220-240V~50Hz	E27	3x Max. 60W

PLEASE READ & SAVE ALL INSTRUCTIONS CAREFULLY BEFORE USING THE PRODUCT