

## SOUTHAMPTON EXTERIOR WALL SCONCE

SKU# 231232

Rated Voltage 220-240V~ 50Hz

Thank you for purchasing this quality Lucci product. To ensure correct function and safety, please read and follow all instructions carefully before assembly, installation and use of this luminaire. Please keep instructions for future reference.

### Warranty

- This luminaire is covered by a 12-month warranty. The warranty is from date of purchase, not the date of installation.
- If the luminaire is not assembled and installed by a licensed electrician, the warranty will be void.
- Please retain the proof of purchase and evidence of installation by a licensed electrician for any warranty enquiries.
- Warranty will be void if there is any damage due to improper usage or modification to the luminaire.
- Failure to comply with the instructions in this manual may increase the risk of damage or injury and will void the warranty.

### Installation Requirements

- This luminaire must be assembled and installed by a licensed electrician.
- All wiring and installation of the luminaire must adhere to the latest local and national wiring rules.  
E.g. AS/NZS 3000 Electrical Installations.
- The luminaire is a Class I product and must be earthed during wiring and installation.
- This luminaire is rated IP23 or IP44, this must be maintained during wiring and installation of the luminaire.

**NOTE: This luminaire is rated IP23 when the bottom shade (I) is NOT installed.**

**This luminaire is rated IP44 when the bottom shade (I) is fully installed.**

- Do not exceed the maximum wattage rating.
- The luminaire must not be used if the protective shield or shade has been cracked or damaged. Replace the protective shield or shade before using the luminaire.
- Select a suitable location for installation:
  - The mounting point must be able to support 2 times the weight of the luminaire.
  - This luminaire is rated against water penetration to IP23 standards when the bottom shade (I) is NOT installed, which is spraying water at an angle of up to 60°.
  - This luminaire is rated against water penetration to IP44 standards when the bottom shade (I) is fully installed, which is water splashing from any direction.
- Take care not to pull any electrical wires during unpacking as this may damage the connection.
- Lay out all the components on a smooth surface and make sure no components are missing before assembling. If parts are missing, return the complete product to the place of purchase for inspection or replacement.
- Check whether the luminaire has been damaged during transport. Do not operate/install any product which appears damaged in any way. Return the complete product to the place of purchase for inspection, repair or replacement.
- Ensure power to the circuit you are working on has been switched OFF before commencing any electrical work.

## Installation Directions

1. Remove all packaging material from the product and be careful not to throw away accessories that may be hidden within the packaging material. If assembly is required, place the luminaire on a smooth non-scratch surface.
2. Remove the mounting bracket (B) from the luminaire (F) by loosening the screws (E) on the top and bottom.
3. Use the mounting bracket (B) as a template to mark the screw positions on the wall.
4. Install the mounting bracket (B) on the wall by using appropriately sized mounting screws (C) and anchors (A). Ensure the screws (C) and anchors (A) used are suitable for the mounting surface and the surrounding environment.
5. Remove the terminal box cover (D) and connect the mains supply wire to the terminal block.

### Mains Supply Wire

Earth – Yellow/Green

Neutral – Blue or Black

Live – Brown or Red

### Luminaire Wire / Terminal label

Yellow/Green or

Blue or N

Brown or L

6. Ensure the wires are secure and no bare wires are exposed. Install the cover (D) back onto the terminal box.

**NOTE: The luminaire is a Class I product and must be earthed during wiring and installation.**

**NOTE: Depending on the mains supply wire, a non-corrosive bead of silicone might be required at the cord entry/exit points of the terminal box to ensure that no water can run down into the cabling and enter the terminal box**

7. Install the luminaire (F) back onto the mounting bracket (B) by tightening the screws (E) on the top and bottom.

**NOTE: Take note of the directional label on the luminaire.**

8. Install a globe (H - not included) into the lamp holder (G). Do not exceed the maximum wattage rating.

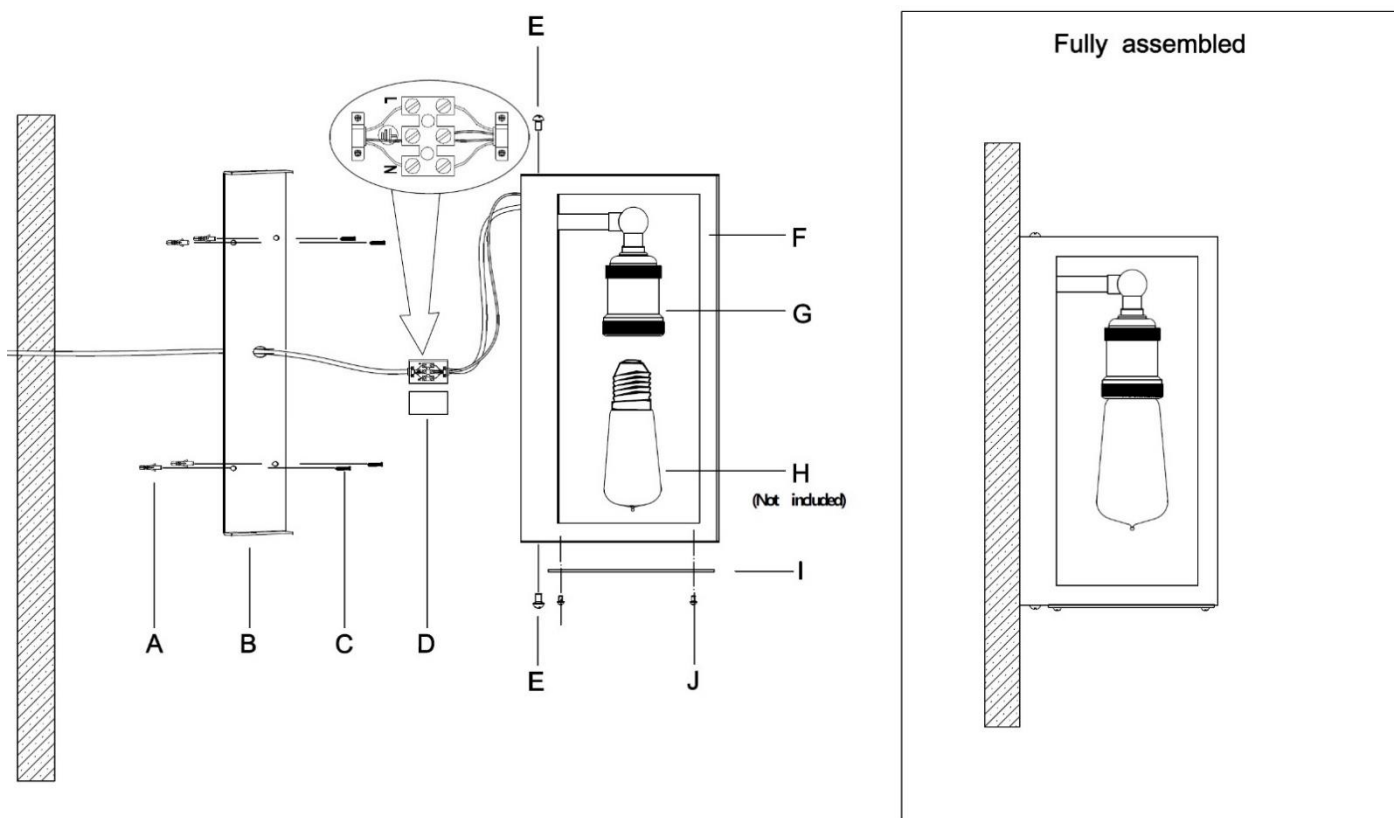
9. Install the bottom shade (I) back onto the luminaire and secure by tightening the screws (J).

**NOTE: Check the latest local wiring rule (e.g.AS/NZS 3000 in Australia) to decide the IP requirement of the installation location.**

**NOTE: This luminaire is rated IP23 when the bottom shade (I) is NOT installed.**

**This luminaire is rated IP44 when the bottom shade (I) is fully installed**

10. After the installation, switch on the luminaire to test and enjoy your new lighting product.



## Safety Tips

- Always ensure the power is OFF and the luminaire has cooled down before performing any maintenance, cleaning, changing the globe or making any adjustment to the luminaire.
- The luminaire must not be used if the protective shield or shade has been cracked or damaged. Replace the protective shield or shade before using the luminaire.
- To avoid injury or damage to the luminaire, ensure that power leads and screws are secure before connecting the power.
- To clean, wipe with a soft damp cloth. Do NOT soak or immerse the luminaire in water or other liquids.
- Ensure that the luminaire does not come in contact with corrosive chemicals/solvents or abrasive cleaners etc.

## Specifications

SKU #	231232
Rated Voltage	220-240V~ 50Hz
Rated Wattage	45W Max.
Lamp Holder	ES / E27
IP rating	IP23 when the bottom shade (I) is NOT installed IP44 when the bottom shade (I) is fully installed
Weight	2.1 Kg
Dimensions	H:300mm W:150mm E:160mm