

TANIIMI 280MM DISC WALL SCONCE

SKU# 237123, 237124, 237125

Rated Voltage 220-240V~ 50Hz

Thank you for purchasing this quality MFL product. To ensure correct function and safety, please read and follow all instructions carefully before assembly, installation, and use of this luminaire. Please keep instructions for future reference.

Warranty

- This luminaire is covered by a 5 year warranty. The warranty is from date of purchase, not the date of installation.
- If the luminaire is not assembled and installed by a licensed electrician, the warranty will be void.
- Please retain the proof of purchase and evidence of installation by a licensed electrician for any warranty enquiries.
- This luminaire is not suitable for use with dimmer switches.
- Warranty will be void if the luminaire is used on the same circuit which has a dimmer switch.
- Warranty will be void if there is any damage due to improper usage or modification to the luminaire.
- Failure to comply with the instructions in this manual may increase the risk of damage or injury and will void the warranty.

Installation Requirements

- This luminaire must be assembled and installed by a licensed electrician.
- All wiring and installation of the luminaire must adhere to the latest local and national wiring rules. E.g., AS/NZS 3000 Electrical installations.
- This luminaire is a Class I product and must be earthed during wiring and installation.
- Do not exceed the maximum wattage rating.
- Select a suitable location for installation:
 - The mounting point must be able to support 2 times the weight of the luminaire.
 - This luminaire is protected against water penetration to IP65 standards, which is against low-pressure jets of water from all practicable directions. This must be maintained during wiring and installation.
- Take care not to pull any electrical wires during unpacking as this may damage the connection.
- Lay out all the components on a smooth surface and make sure no components are missing before assembling. If parts are missing, return the complete product to the place of purchase for inspection or replacement.
- Check whether the luminaire has been damaged during transport. Do not operate/install any product which appears damaged in any way. Return the complete product to the place of purchase for inspection, repair or replacement.
- Ensure power to the circuit you are working on has been switched OFF before commencing any electrical work.


Installation Directions

1. Remove all packaging material from the product and be careful not to throw away accessories that may be hidden within the packaging material. If assembly is required, place the luminaire on a smooth non-scratch surface.
2. Remove the mounting bracket from the luminaire by loosening the grub screws on the top and bottom of the luminaire with the Allen key provided.(4)
3. Use the mounting bracket as a template to mark the screw positions on the wall.(1)
4. Install the mounting bracket onto the wall by using appropriately sized mounting screws, waterproof gaskets, and anchors. Ensure the mounting screws and anchors used are suitable for the mounting surface and the surrounding environment.(2)

NOTE: A non-corrosive bead of silicon MUST be applied before installation onto the wall, ensuring that no water can run down into the cabling.

5. Connect the mains supply wire to the terminal block. Ensure the wires are secure and no bare wires are exposed.(3)

Mains Supply Wire

Earth – Yellow/Green 

Neutral – Blue or Black

Live – Brown or Red

Luminaire Wire / Terminal label

Yellow/Green or 

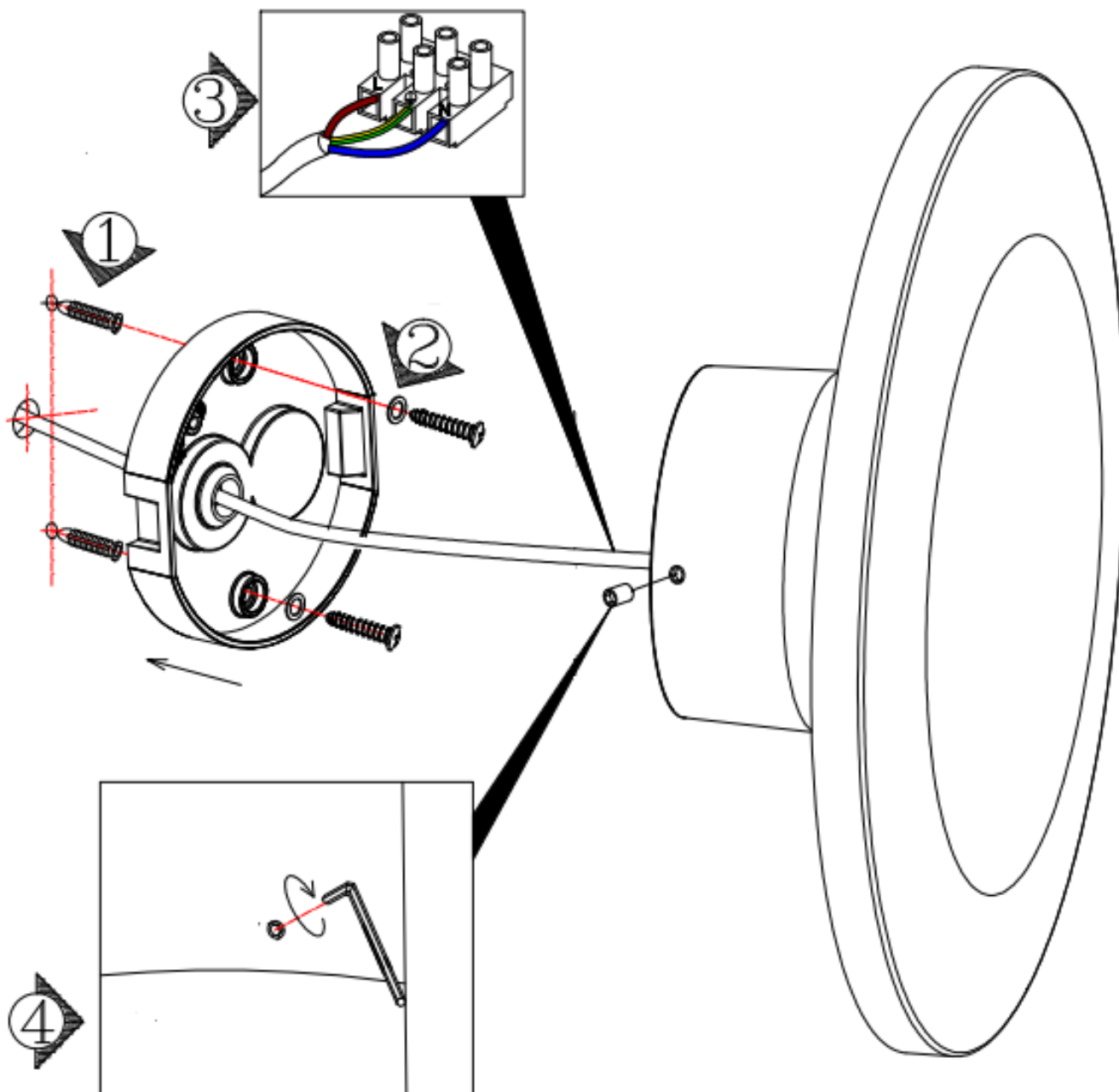
Blue or N

Brown or L

NOTE: This is a Class I luminaire, it must be earthed during wiring and installation.

6. Install the luminaire back onto the mounting bracket and secure by tightening the grub screws at the top and bottom.(4)

7. Switch on the luminaire to test and enjoy your new lighting product.



Safety Tips

- Always ensure the power is OFF and the luminaire has cooled down before performing any maintenance, cleaning or making any adjustment to the luminaire.
- To avoid injury or damage to the luminaire, ensure that power leads and screws are secure before connecting the power.
- The luminaire must not be used if the protective shield has been cracked or damaged.
- To clean, wipe with a soft damp cloth. Do NOT soak or immerse the luminaire in water or other liquids.
- Ensure that the luminaire does not come in contact with corrosive chemicals/solvents or abrasive cleaners etc.
- The light source of this luminaire is not replaceable; when the light source reaches its end of life, the whole luminaire shall be replaced. There are no serviceable parts, do not attempt to dismantle or open the luminaire.

Specifications

SKU #	237123	237124	237125
Colour/Finish	Natural	Black	Concrete
Rated Voltage	220-240V~ 50Hz		
Rated Wattage	12W		
LED Specs	1000 lumens, 3000K Warm White, CRI>80, Non-dimmable		
IP Rating	IP65		
Weight	2.5kg		
Dimensions	H:95mm Dia:280mm		