

## SEASIDE KALUMBURU WALL SCONE

SKU# 238005

Rated Voltage 220-240V~ 50Hz

Thank you for purchasing this quality Mayfair product. To ensure correct function and safety, please read and follow all instructions carefully before assembly, installation, and use of this luminaire. Please keep instructions for future reference.

### Warranty

- This luminaire is covered by a 5-year warranty. The warranty is from date of purchase, not the date of installation.
- If the luminaire is not assembled and installed by a licensed electrician, the warranty will be void.
- Please retain the proof of purchase and evidence of installation by a licensed electrician for any warranty enquiries.
- Warranty will be void if there is any damage due to improper usage or modification to the luminaire.
- Failure to comply with the instructions in this manual may increase the risk of damage or injury and will void the warranty.

### Installation Requirements

- This luminaire must be assembled and installed by a licensed electrician.
- All wiring and installation of the luminaire must adhere to the latest local and national wiring rules. E.g. AS/NZS 3000 Electrical Installations.
- This luminaire is a Class I product and must be earthed during wiring and installation.
- This luminaire is rated IP65, this must be maintained during wiring and installation.
- Do not exceed the maximum wattage rating. This luminaire must be used with LED lamps only.
- Select a suitable location for installation:
  - The mounting point must support 2 times the weight of the luminaire.
  - This luminaire is protected against water penetration to IP65 standards, which is against low-pressure jets of water from all practicable directions.
- The luminaire must not be used if the protective shield has cracked. Replace any cracked protective shield before using the luminaire.
- Take care not to pull any electrical wires during unpacking as this may damage the connection.
- Lay out all the components on a smooth surface and make sure no components are missing before assembling. If parts are missing, return the complete product to the place of purchase for inspection or replacement.
- Check whether the luminaire has been damaged during transport. Do not operate/install any product which appears damaged in any way. Return the complete product to the place of purchase for inspection, repair or replacement.
- Ensure power to the circuit you are working on has been switched OFF before commencing any electrical work.


## Installation Directions

1. Ensure power to the circuit you are working on has been switched OFF before commencing any electrical work.
2. Remove all packaging material from the product and be careful not to throw away accessories that may be hidden within the packaging material.
3. Remove the shade (G) by loosening the grub screws at the top and bottom with the supplied Allen key (F).
4. Use the luminaire (B) as a template to mark the screw positions on the wall.
5. Install the luminaire (B) onto the wall by using appropriately sized mounting screws (D), sealing rubber washers (H) and anchors (A). Ensure the screws (D) and anchors (A) used are suitable for the mounting surface and the surrounding environment.

**NOTE: A non-corrosive bead of silicon MUST be applied before installation onto the wall, ensuring that no water can run down into the cabling.**

6. Connect the mains supply wire to the terminal block (C). Ensure the wires are secure and no bare wires are exposed.


### Mains Supply Wire

Earth – Yellow/Green 

Neutral – Blue or Black

Live – Brown or Red

### Luminaire Wire / Terminal label

Yellow/Green or 

Blue or N

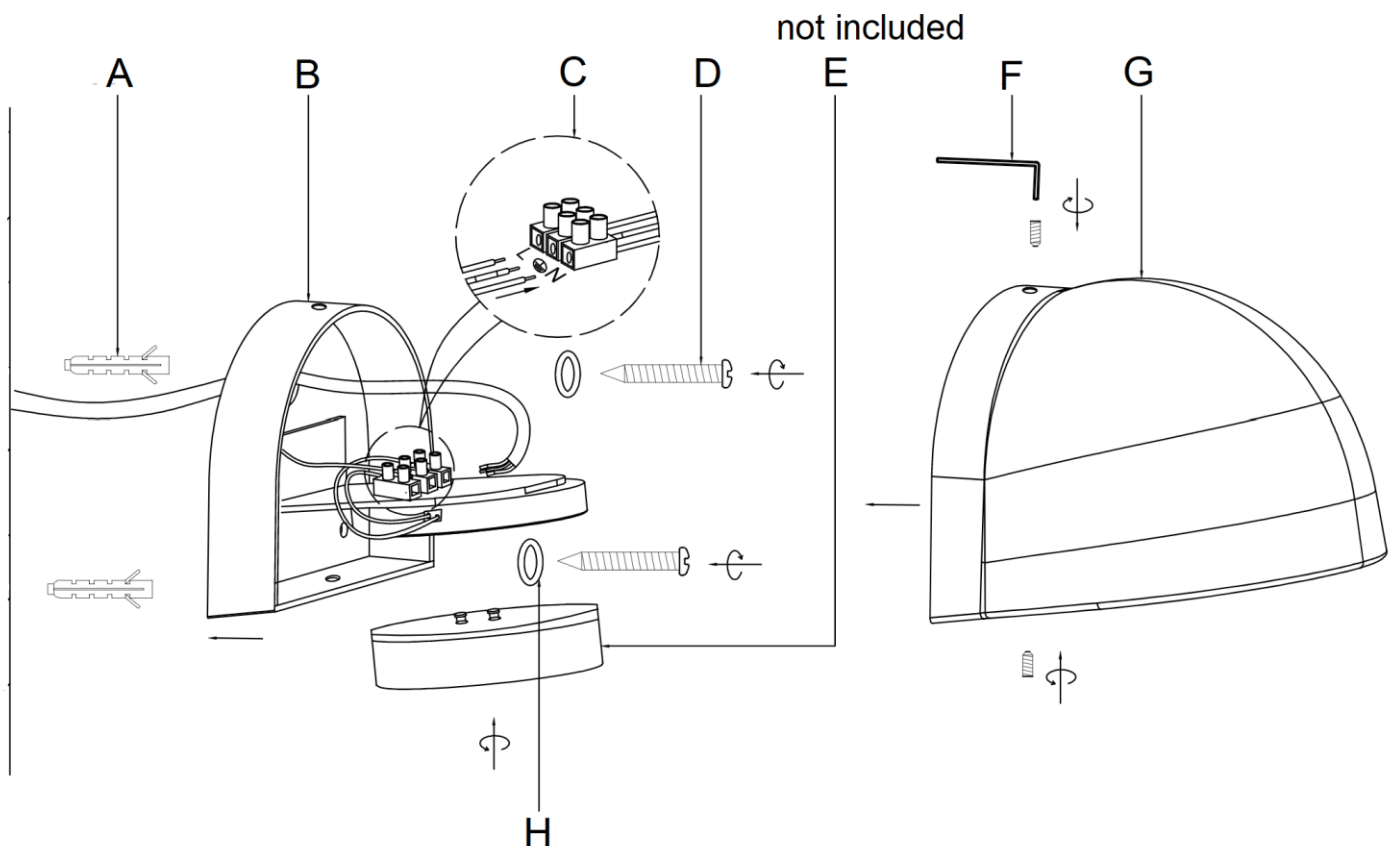
Brown or L

**NOTE: This luminaire is a Class I product and must be earthed during wiring and installation.**

7. Install a globe (E - not included) into the lamp holder. Do not exceed the maximum wattage rating.

**NOTE: This luminaire must be used with LED lamps only.**

8. Install the shade (G) back onto the luminaire (B) and secure by tightening the grub screws.
9. After the installation, switch on the luminaire to test all the lighting functions and enjoy your new luminaire.



## Safety Tips

- Always ensure the power is OFF and the luminaire has cooled down before performing any maintenance, cleaning, changing the globe or making any adjustment to the luminaire.
- To avoid injury or damage to the luminaire, ensure that power leads and screws are secure before connecting the power.
- To clean, wipe with a soft damp cloth. Do NOT soak or immerse the luminaire in water or other liquids.
- Ensure that the luminaire does not come in contact with corrosive chemicals/solvents or abrasive cleaners etc.
- The luminaire must not be used if the protective shield has cracked. Replace any cracked protective shield before using the luminaire again.

## Specifications

SKU #	238005
Rated Voltage	220-240V~ 50Hz
Rated Wattage	9W Max. (Must use LED lamp only)
Lamp Holder	GX53
IP Rating	IP65
Weight	2.2kg
Dimensions	H:95mm W:130mm E:134mm