

MIAMI 2 LIGHTS WALL SCNCE

SKU# 239346, 239347

Rated Voltage 220-240V~ 50Hz

Thank you for purchasing this quality Lucci product. To ensure correct function and safety, please read and follow all instructions carefully before assembly, installation and use of this product. Please keep instructions for future reference.

Warranty

- This luminaire is covered by a 3 year warranty. The warranty is from date of purchase, not the date of installation.
- If the luminaire is not assembled and installed by a licensed electrician the warranty will be void.
- Please retain proof of purchase and evidence of installation by a licensed electrician.
- Warranty will be void if there is any damage due to improper usage or modification to the luminaire.
- Failure to comply with the instructions in this manual may increase the risk of damage or injury and will void warranty.

Installation requirements

- Must be assembled and installed by a licensed electrician.
- All wiring and installation of the luminaire must adhere to latest local and national wiring rules.
eg. AS/NZS 3000 Electrical installations.
- Do not exceed the maximum wattage rating.
- Select a suitable location for installation:
 - This luminaire is protected against water penetration to IP65 standards, which is against low pressure jets of water from all practicable direction. This must be maintained during installation.
 - It is suitable for indoor or outdoor use.
 - The mounting point must support 2 times the weight of the luminaire.
- **NOTE: During normal use, condensation may form within the shade. If this occurs, do not use the luminaire until it is dry. Turn off the luminaire from the mains power socket outlet, remove the shade and wipe with a dry cloth or tissue before using again.** Condensation occurs when there are sudden changes in temperature. After the luminaire is turned off, the globe begins to cool down. The warm air from the globe touches the cooler shade and moisture will form. If there is any moisture or condensation within the shade, do not use the luminaire. Remove the shade and wipe with a dry cloth or tissue before using again.
- Take care not to pull any electrical wires during unpacking as this may damage the connection.
- Lay out all the components on a smooth surface and make sure there are no components missing before assembling. If parts are missing, return the complete product to the place of purchase for inspection or replacement.
- Check whether the luminaire has been damaged during transport. Do not operate/install any product which appears damaged in any way. Return the complete product to the place of purchase for inspection, repair or replacement.

Installation directions

1. Remove all packaging material from the product and be careful not to throw away accessories that may be hidden within the packaging material. (Fig.1)
2. Remove the mounting bracket by loosening the screws from both sides using the allen key provided; Remove the inner shade from the luminaire; Remove the outer shade by loosening the screw from the bottom using the allen key provided. (Fig.2)
3. Install the mounting bracket on the wall by using appropriately sized mounting screws and anchors. Ensure the screws and anchors used are suitable for mounting surface and the surrounding environment. Choose a suitable rubber seal for the cable entry depending on the different types of supply cables used. (Fig.3)

NOTE: It is recommended that a non-corrosive bead of silicone be applied before installation onto the wall ensuring that no water can run down into the cabling.

Installation Instructions

4. Connect the mains supply wire to the luminaire using the terminal block provided. Ensure that the wires are secure and no bare wires are exposed.

Mains Supply Wire

Earth – Yellow/Green

Live – Brown or Red

Neutral – Blue or Black

Terminal block

Yellow/Green or 

Live (L)

Neutral (N)

Install the luminaire back onto the mounting bracket by tightening the screws on the both sides. (Fig.4)

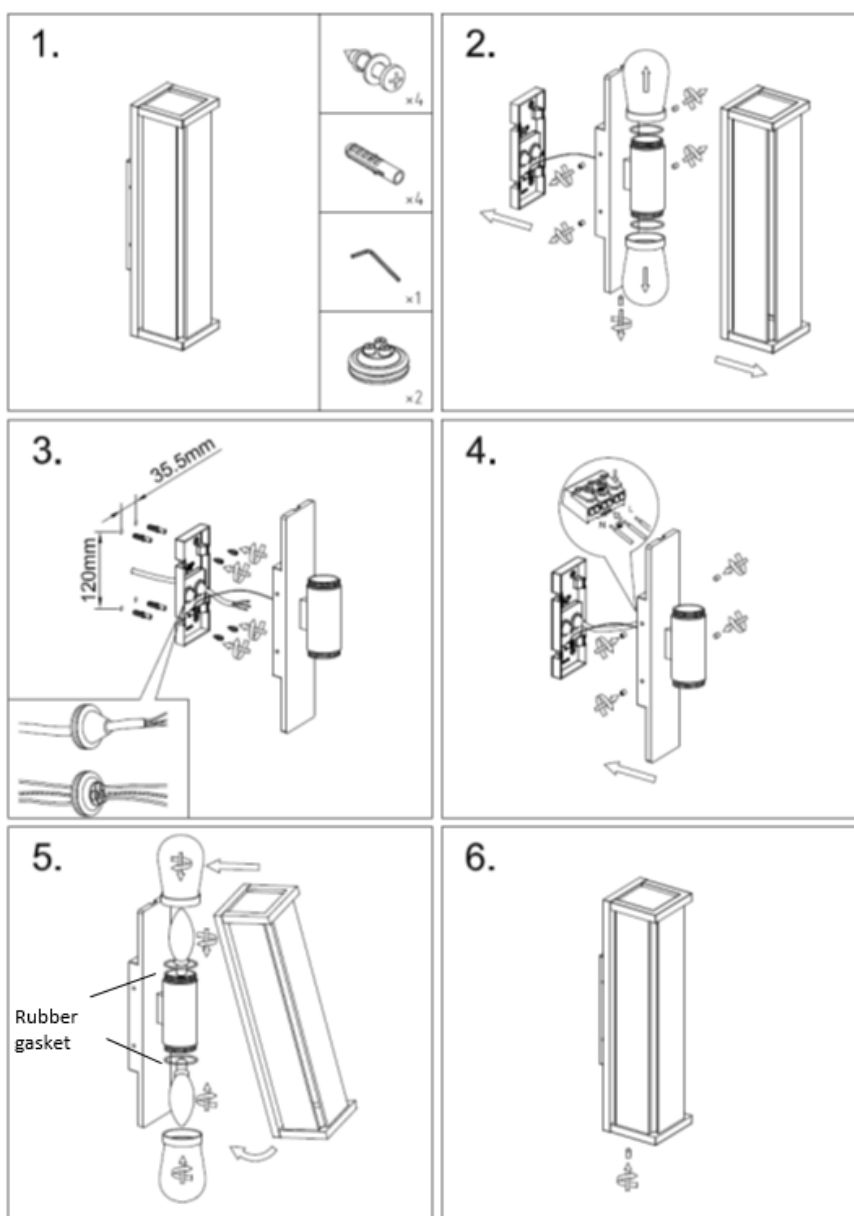
5. Install the globes (not included) into the lamp holders. **Do not exceed the maximum wattage rating.**

NOTE: Candle globes recommended for this luminaire.

Then install the inner lamp shades back onto the luminaire. (Fig.5)

NOTE: Please check and make sure the water – proof rubber gasket are placed on the holder of the inner lamp shade.

6. Install the outer shade back to the luminaire by tightening the screw on the bottom. (Fig.6)
7. Make any final adjustments to the luminaire and check that all parts are secured tightly before turning the power on.



Safety tips

- Always ensure the power is OFF and the luminaire has cooled down before performing any maintenance, cleaning, changing the globe or making any adjustment to the luminaire.
- To avoid injury or damage to the luminaire, ensure that power leads and screws are secure before connecting the power.
- The luminaire must not be used if the shades has been cracked. Replace any cracked protective shield.
- Ensure that the luminaire does not come in contact with corrosive chemicals/solvents or abrasive cleaners etc.
- To clean, wipe with a damp clean cloth. Do NOT soak or immerse the product in water or other liquids.

Specifications

SKU #	239346	239347
Colour	Black	White
Rated Voltage	220-240V~ 50Hz	
Rated Wattage	40W Max. (Use 2 x Max.20W)	
Lamp Holder	SES / E14 (Candle globe recommended)	
IP Rating	IP65	
Weight	1.8kg	
Dimensions	H:360mm W:90mm E:110mm	