

YAMBA 1 LIGHT EXTERIOR WALL BRACKET

SKU# 239376, 239377, 239378

Rated Voltage 220-240V~ 50Hz

Thank you for purchasing this quality Lucci product. To ensure correct function and safety, please read and follow all instructions carefully before assembly, installation, and use of this product. Please keep instructions for future reference.

Warranty

- This luminaire is covered by a 5-year warranty. The warranty is from date of purchase, not the date of installation.
- If the luminaire is not assembled and installed by a licensed electrician, the warranty will be void.
- Please retain the proof of purchase and evidence of installation by a licensed electrician for any warranty enquiries.
- Warranty will be void if there is any damage due to improper usage or modification to the luminaire.
- Failure to comply with the instructions in this manual may increase the risk of damage or injury and will void the warranty.

Installation Requirements

- This luminaire must be assembled and installed by a licensed electrician.
- All wiring and installation of the luminaire must adhere to the latest local and national wiring rules. E.g. AS/NZS 3000 Electrical Installations.
- The luminaire is a Class I product and must be earthed during wiring and installation.
- This luminaire is rated IP65 and must be maintained during wiring and installation of the luminaire.
- The luminaire must not be used if the protective shield or shade has been cracked or damaged. Replace the protective shield or shade before using the luminaire.
- Do not exceed the maximum wattage rating.
- Select a suitable location for installation:
 - The mounting point must support 2 times the weight of the luminaire.
 - This luminaire is protected against water penetration to IP65 standards, which is against low-pressure jets of water from all practicable directions. This must be maintained during wiring and installation.
- Take care not to pull any electrical wires during unpacking as this may damage the connection.
- Lay out all the components on a smooth surface and make sure no components are missing before assembling. If parts are missing, return the complete product to the place of purchase for inspection or replacement.
- Check whether the luminaire has been damaged during transport. Do not operate/install any product which appears damaged in any way. Return the complete product to the place of purchase for inspection, repair, or replacement.
- Ensure power to the circuit you are working on has been switched OFF before commencing any electrical work.

Installation Directions

1. Remove all packaging material from the product and be careful not to throw away accessories that may be hidden within the packaging material. If assembly is required, place the luminaire on a smooth non-scratch surface.
2. Lay out all the components on a smooth surface and make sure no components are missing before assembling. If parts are missing, return the complete product to the place of purchase for inspection or replacement. (Fig. 1)
3. Remove the mounting bracket from the luminaire by loosening the screws on the side of the luminaire. (Fig. 2)
4. Use the mounting bracket as a template to mark the screw hole positions on the wall. (Fig. 2)
5. Install the mounting bracket onto the wall using appropriately sized mounting screws and anchors. Ensure the screws and anchors used are suitable for the mounting surface and the surrounding environment. (Fig. 2)

NOTE: Ensure the rubber washers and flat washers are used to install the mounting bracket to maintain the IP65 rating of the luminaire.

NOTE: A non-corrosive bead of silicone MUST be applied before installation onto the wall ensuring that no water can run down into the cabling.

6. Connect the mains supply wire to the terminal block. (Fig. 3)

Mains Supply Wire

- Earth – Yellow/Green
- Neutral – Blue or Black
- Live – Brown or Red

Luminaire Wire / Terminal block

- Yellow/Green or
- Blue or N
- Brown or L

7. Ensure that the wires are secure, and no bare wires are exposed. (Fig. 3)

NOTE: The luminaire is a Class I product and must be earthed during wiring and installation.

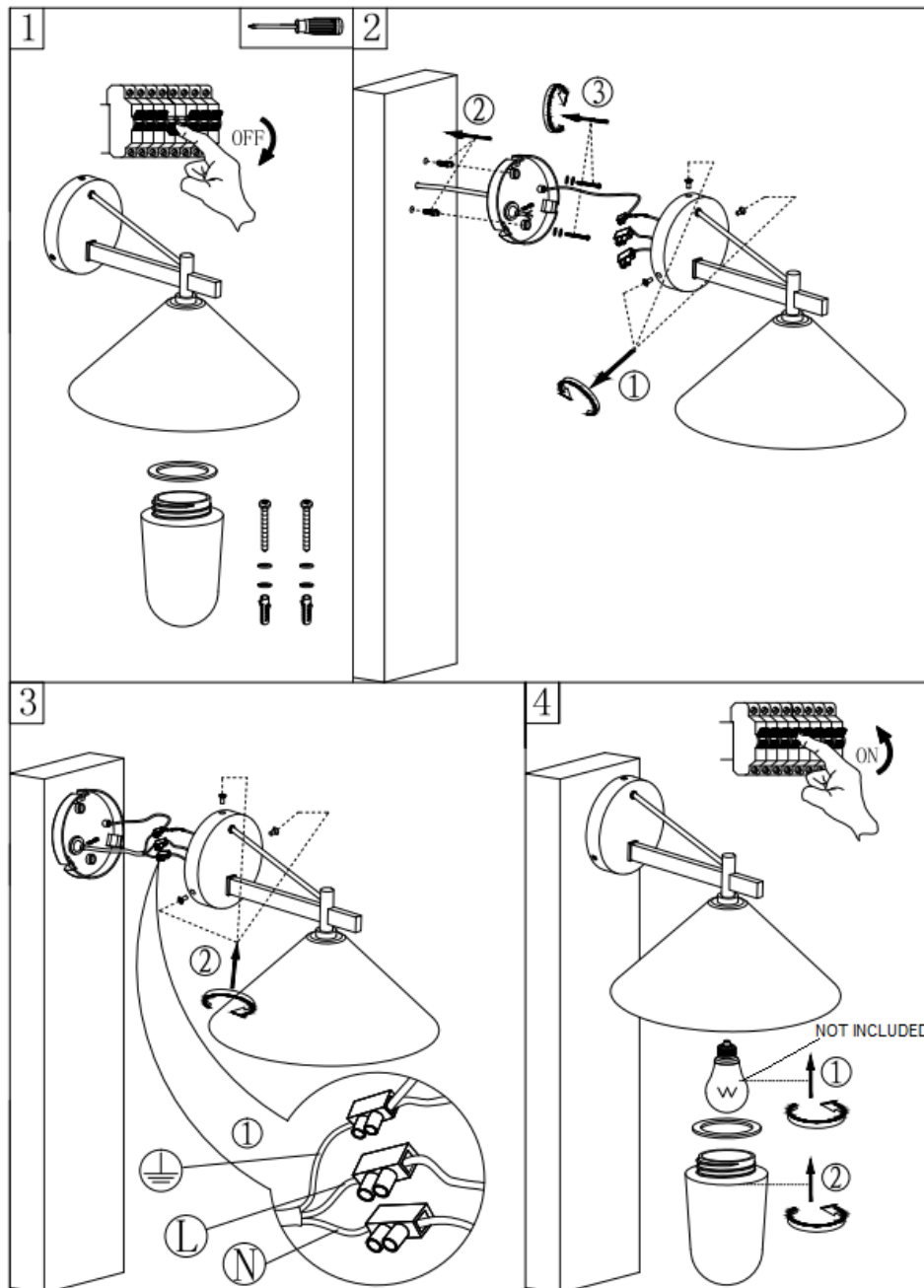
8. Install the luminaire, back onto the mounting bracket and secure by tightening the screws on the side. (Fig. 3)

9. Install a globe (not included) into the lamp holder. Do not exceed the maximum wattage rating. (Fig. 4)

10. Install the shade and rubber grommet onto the luminaire. (Fig. 4)

NOTE: Ensure the grommet on the shade forms a tight seal with the luminaire to maintain the IP65 rating.

11. After the installation, switch on the luminaire to test all the lighting functions and enjoy your new lighting product.



Safety Tips

- Always ensure the power is OFF and the luminaire has cooled down before performing any maintenance, cleaning, changing the globe or making any adjustment to the luminaire.
- The luminaire must not be used if the protective shield or shade has been cracked or damaged. Replace the protective shield or shade before using the luminaire.
- To avoid injury or damage to the luminaire, ensure that power leads and screws are secure before connecting the power.
- To clean, wipe with a soft damp cloth. Do NOT soak or immerse the luminaire in water or other liquids.
- Ensure that the luminaire does not come in contact with corrosive chemicals/solvents or abrasive cleaners etc.

Specifications

| SKU # | 239376 | 239377 | 239378 |
|----------------------|-------------------------|---------------|----------------|
| Colour | Textured Black | Bronze Finish | Textured White |
| Rated Voltage | 220-240V~ 50Hz | | |
| Rated Wattage | 15W Max. | | |
| Lamp Holder | ES / E27 | | |
| IP Rating | IP65 | | |
| Weight | 1.5kg | | |
| Luminaire Dimensions | H:320mm W:280mm E:315mm | | |