

SENTINEL ADJUSTABLE WALL SPOT

SKU# 230310, 230311, 230312, 239450

Rated Voltage 220-240V~ 50Hz

Thank you for purchasing this quality Lucci product. To ensure correct function and safety, please read and follow all instructions carefully before assembly, installation and use of this product. Please keep instructions for future reference.

Warranty

- This luminaire is covered by a 12 month warranty. The warranty is from date of purchase, not the date of installation.
- If the luminaire is not assembled and installed by a licensed electrician it will void the warranty.
- Please retain proof of purchase and evidence of installation by a licensed electrician for any warranty enquiries.
- Warranty will be void if there is any damage due to improper usage or modification to the luminaire.
- Failure to comply with the instructions in this manual may increase the risk of damage or injury and will void the warranty.

Installation Requirements

- Must be assembled and installed by a licensed electrician.
- All wiring and installation of the luminaire must adhere to the latest local and national wiring rules. eg. AS/NZS 3000 Electrical installations.
- This luminaire is a Class I product and must be earthed during wiring and installation.
- Do not exceed the maximum wattage rating.
- Select a suitable location for installation:
 - The mounting point must be able to support 2 times the weight of the luminaire.
 - This luminaire is protected against water penetration to IP65 standards, which is against low pressure jets of water from all practicable directions. This must be maintained during wiring and installation.
- Take care not to pull any electrical wires during unpacking as this may damage the connection.
- Lay out all the components on a smooth surface and make sure there are no components missing before assembling. If parts are missing, return the complete product to the place of purchase for inspection or replacement.
- Check whether the luminaire has been damaged during transport. Do not operate/install any product which appears damaged in any way. Return the complete product to the place of purchase for inspection, repair or replacement.
- Ensure power to the circuit you are working on has been switched OFF before commencing any electrical work.

Installation Directions

1. Remove all packaging material from the product and be careful not to throw away accessories that may be hidden within the packaging material. (Fig. 1)
2. Remove the back plate from luminaire by loosening the nuts on the front of the luminaire. (Fig. 2)
3. Use the back plate as a template to mark the screw positions on the wall. (Fig. 3)
4. Install the back plate on the wall by using appropriately sized mounting screws and anchors. Ensure the mounting screws and anchors used are suitable for the mounting surface and the surrounding environment. (Fig. 4)

NOTE: A non-corrosive bead of silicon MUST be applied before installation onto the wall ensuring that no water can run down into the cabling.

5. Connect the mains supply wire to the terminal block. Ensure the wires are secure and no bare wires are exposed.


Mains Supply Wire

Earth – Yellow/Green 

Neutral – Blue or Black

Live – Brown or Red

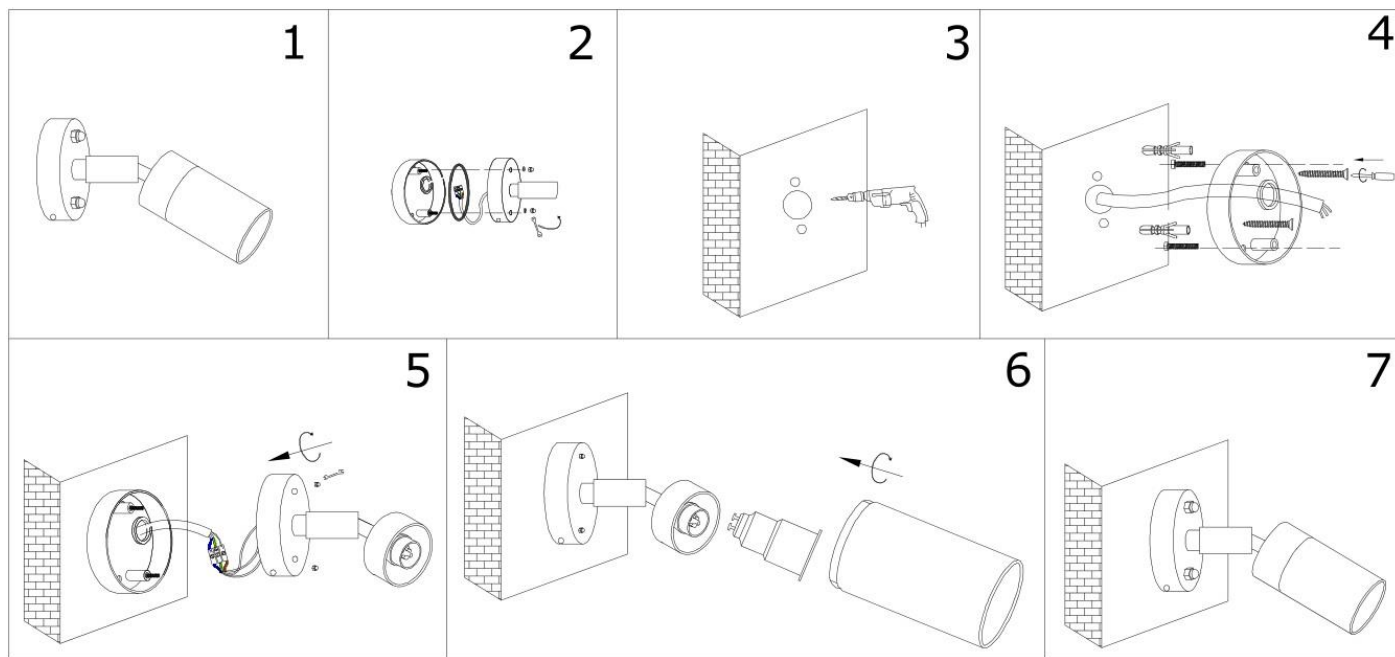
Luminaire Wire / Terminal label

Yellow/Green or 

Blue or N

Brown or L

6. Take note of the directional label and install the luminaire onto the back plate and secure by tightening the nuts at the front of the luminaire. (Fig. 5)
7. Install a globe (not included) into the lamp holder. Do not exceed the maximum wattage rating. (Fig. 6)
8. Make any final adjustments to the luminaire and check that all parts are secured tightly before turning on. (Fig. 7)



Safety Tips

- Always ensure the power is OFF and the luminaire has cooled down before performing any maintenance, cleaning, changing the globe or making any adjustment to the luminaire.
- To avoid injury or damage to the luminaire, ensure that power leads and screws are secure before connecting the power.
- The luminaire must not be used if the protective shield has been cracked. Replace any cracked protective shield before using the luminaire.
- To clean, wipe with a soft damp cloth. Do NOT soak or immerse the luminaire in water or other liquids.
- Ensure that the luminaire does not come in contact with corrosive chemicals/solvents or abrasive cleaners etc.

Specifications

SKU #	239450	230310	230311	230312
Material/Finish	White	Matte Black	304 Stainless Steel	316 Stainless Steel
Rated Voltage	220-240V~ 50Hz			
Rated Wattage	20W MAX			
Lamp Holder	GU10			
IP Rating	IP65			
Weight	0.4kg		0.5kg	
Dimensions	H:160mm W:160mm E:170mm		H:155mm W:155mm E:170mm	