

BURLEIGH WALL BRACKET

SKU# 239602, 239603

Rated Voltage 220-240V~ 50Hz

Thank you for purchasing this quality Lucci product. To ensure correct function and safety, please read and follow all instructions carefully before assembly, installation and use of this product. Please keep instructions for future reference.

Warranty

- This luminaire is covered by a 12-month warranty. The warranty is from date of purchase, not the date of installation.
- If the luminaire is not assembled and installed by a licensed electrician, the warranty will be void.
- Please retain the proof of purchase and evidence of installation by a licensed electrician for any warranty enquiries.
- Warranty will be void if there is any damage due to improper usage or modification to the luminaire.
- Failure to comply with the instructions in this manual may increase the risk of damage or injury and will void the warranty.

Installation Requirements

- This luminaire must be assembled and installed by a licensed electrician.
- All wiring and installation of the luminaire must adhere to the latest local and national wiring rules. E.g. AS/NZS 3000 Electrical Installations.
- The luminaire is a Class I product and must be earthed during wiring and installation.
- This luminaire is rated IP44 and must be maintained during wiring and installation of the luminaire.
- The luminaire must not be used if the protective shield or shade has been cracked or damaged. Replace the protective shield or shade before using the luminaire.
- Do not exceed the maximum wattage rating.
- Select a suitable location for installation:
 - The mounting point must support 2 times the weight of the luminaire.
 - This luminaire is rated against water penetration to IP44 standards, which is water splashing from any direction.
- Take care not to pull any electrical wires during unpacking as this may damage the connection.
- Lay out all the components on a smooth surface and make sure no components are missing before assembling. If parts are missing, return the complete product to the place of purchase for inspection or replacement.
- Check whether the luminaire has been damaged during transport. Do not operate/install any product which appears damaged in any way. Return the complete product to the place of purchase for inspection, repair or replacement.

Installation Directions

- Remove all packaging material from the product and be careful not to throw away accessories that may be hidden within the packaging material. If assembly is required, place the luminaire on a smooth non-scratch surface.

FIGURE A

- Ensure power to the circuit you are working on has been switched OFF before commencing any electrical work.

FIGURE B

1. Remove the shade from the luminaire.
2. Loose the nuts and remove the washers to separate the mounting bracket from the luminaire body.

NOTE: Keep the nuts and washers in a safe location, they are required for installation later.

3. Use the mounting bracket as a template to mark the screw positions on the wall.
4. Feed the mains supply cable through to the front of the mounting bracket.
5. Install the mounting bracket onto the wall using appropriately sized mounting screws and anchors. Ensure the screws and anchors used are suitable for the mounting surface and the surrounding environment.

NOTE: Ensure rubber washers and flat washers are used to install the mounting bracket to maintain the IP44 rating of the luminaire.

NOTE: A non-corrosive bead of silicone MUST be applied before installation onto the wall ensuring that no water can run down into the cabling.

6. Connect the mains supply wire to the terminal block. Ensure that the wires are secure, and no bare wires are exposed.

Mains Supply Wire

Earth – Yellow/Green

Neutral – Blue or Black

Live – Brown or Red

Luminaire Wire / Terminal block

Yellow/Green or 

Blue or N

Brown or L

NOTE: The luminaire is a Class I product and must be earthed during wiring and installation.

7. Install the seal back onto the mounting bracket.
8. Install the luminaire, back onto the mounting bracket.

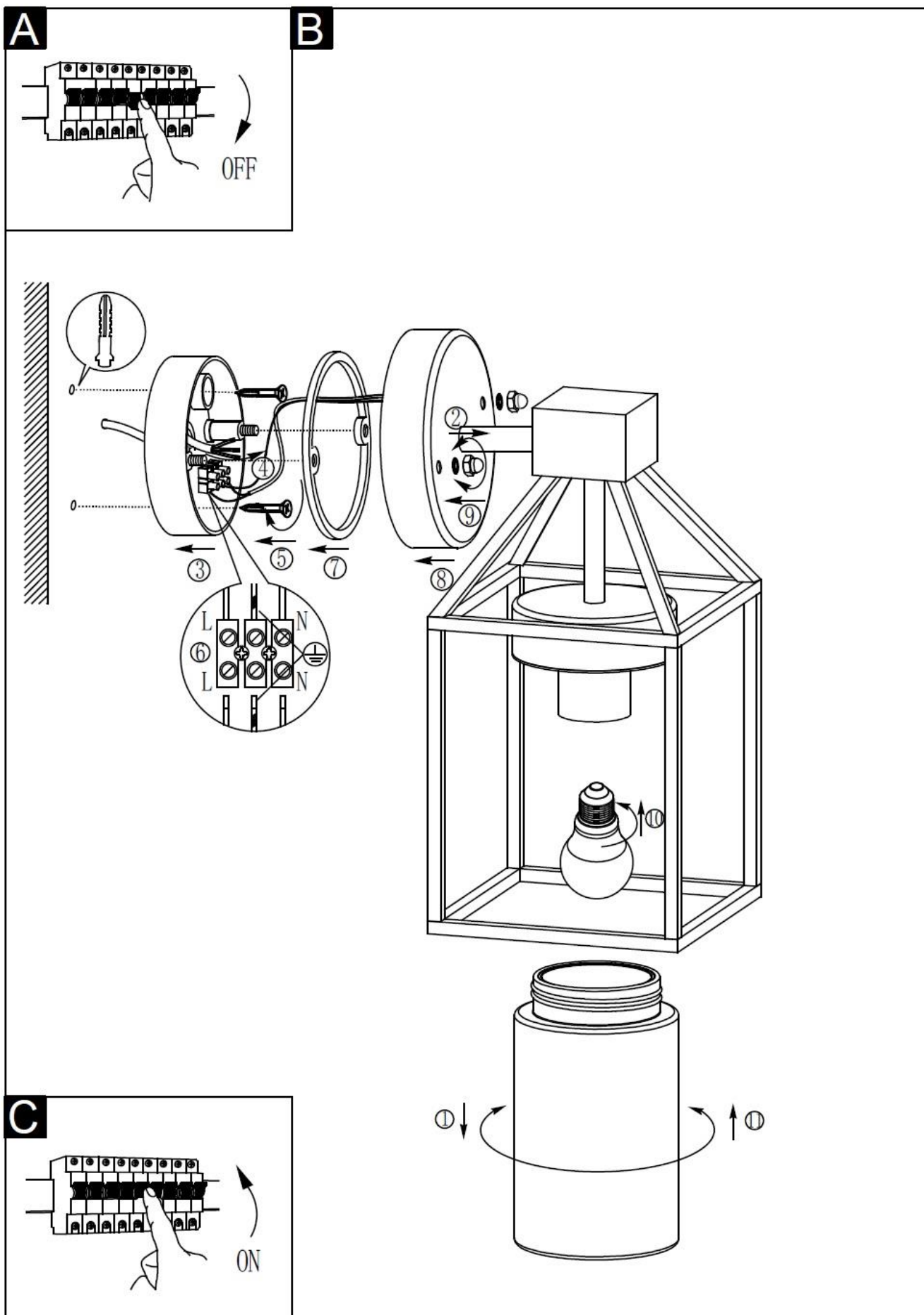
NOTE: Take note of the directional label on the luminaire.

9. Install the washers and secure the luminaire onto the mounting bracket by tightening the nuts.
10. Install a globe (not included) into the lamp holder. Do not exceed the maximum wattage rating.
11. Install the shade back onto the luminaire.

NOTE: Ensure there is a tight seal between the shade with the luminaire to maintain the IP44 rating.

FIGURE C

- After the luminaire has been fully installed, switch on the luminaire to test and enjoy your new lighting product.



Safety Tips

- Always ensure the power is OFF and the luminaire has cooled down before performing any maintenance, cleaning, changing the globe or making any adjustment to the luminaire.
- The luminaire must not be used if the protective shield or shade has been cracked or damaged. Replace the protective shield or shade before using the luminaire.
- To avoid injury or damage to the luminaire, ensure that power leads and screws are secure before connecting the power.
- To clean, wipe with a soft damp cloth. Do NOT soak or immerse the luminaire in water or other liquids.
- Ensure that the luminaire does not come in contact with corrosive chemicals/solvents or abrasive cleaners etc.

Specifications

SKU #	239602	239603
Art. No.	204981	204982
Colour	Black	White
Rated Voltage	220-240V~ 50Hz	
Rated Wattage	45W Max.	
Lamp Holder	ES / E27	
IP Rating	IP44	
Weight	1.6kg	
Luminaire Dimensions	H:355mm W:160mm E:181mm	