

## BALMORAL 1LT TAPERED WALL SCONE

SKU# 239620,239621

Rated Voltage 220-240V~ 50Hz.

To ensure correct function and safety, please read and follow all instructions carefully before assembly, installation and use of this product. Please keep instructions for future reference.

### Warranty

- This luminaire is covered by a 5-year warranty. The warranty is from date of purchase, not the date of installation.
- If the luminaire is not assembled and installed by a licensed electrician, the warranty will be void.
- Please retain the proof of purchase and evidence of installation by a licensed electrician for any warranty enquiries.
- Warranty will be void if there is any damage due to improper usage or modification to the luminaire.
- Failure to comply with the instructions in this manual may increase the risk of damage or injury and will void the warranty.

### Installation Requirements

- This luminaire must be assembled and installed by a licensed electrician.
- All wiring and installation of the luminaire must adhere to the latest local and national wiring rules. E.g., AS/NZS 3000 Electrical Installations.
- This luminaire is a Class I product and must be earthed during wiring and installation.
- This luminaire is rated IP44, this must be maintained during wiring and installation.
- Do not exceed the maximum wattage rating.
- Select a suitable location for installation:
  - The mounting point must support 2 times the weight of the luminaire.
  - This luminaire is rated against water penetration to IP44 standards, which is water splashing from any direction.
- Take care not to pull any electrical wires during unpacking as this may damage the connection.
- Lay out all the components on a smooth surface and make sure no components are missing before assembling. If parts are missing, return the complete product to the place of purchase for inspection or replacement.
- Check whether the luminaire has been damaged during transport. Do not operate/install any product which appears damaged in any way. Return the complete product to the place of purchase for inspection, repair or replacement.
- Ensure power to the circuit you are working on has been switched OFF before commencing any electrical work.

### Installation Directions

1. Remove all packaging material from the product and be careful not to throw away accessories that may be hidden within the packaging material.
2. Use the mounting bracket (B) as a template to mark the screw positions on the wall.
3. Install the mounting bracket (B) on the wall by using appropriately sized mounting screws (C) and anchors (A). Ensure the screws (C) and anchors (A) used are suitable for the mounting surface and surrounding environment.
4. Remove the terminal box (D) cover to access the terminal block (D) and connect the mains supply wires.

#### Mains Supply Wire

Earth – Yellow/Green 

Neutral – Blue or Black

Live – Brown or Red

#### Fitting Wire

Yellow/Green or 

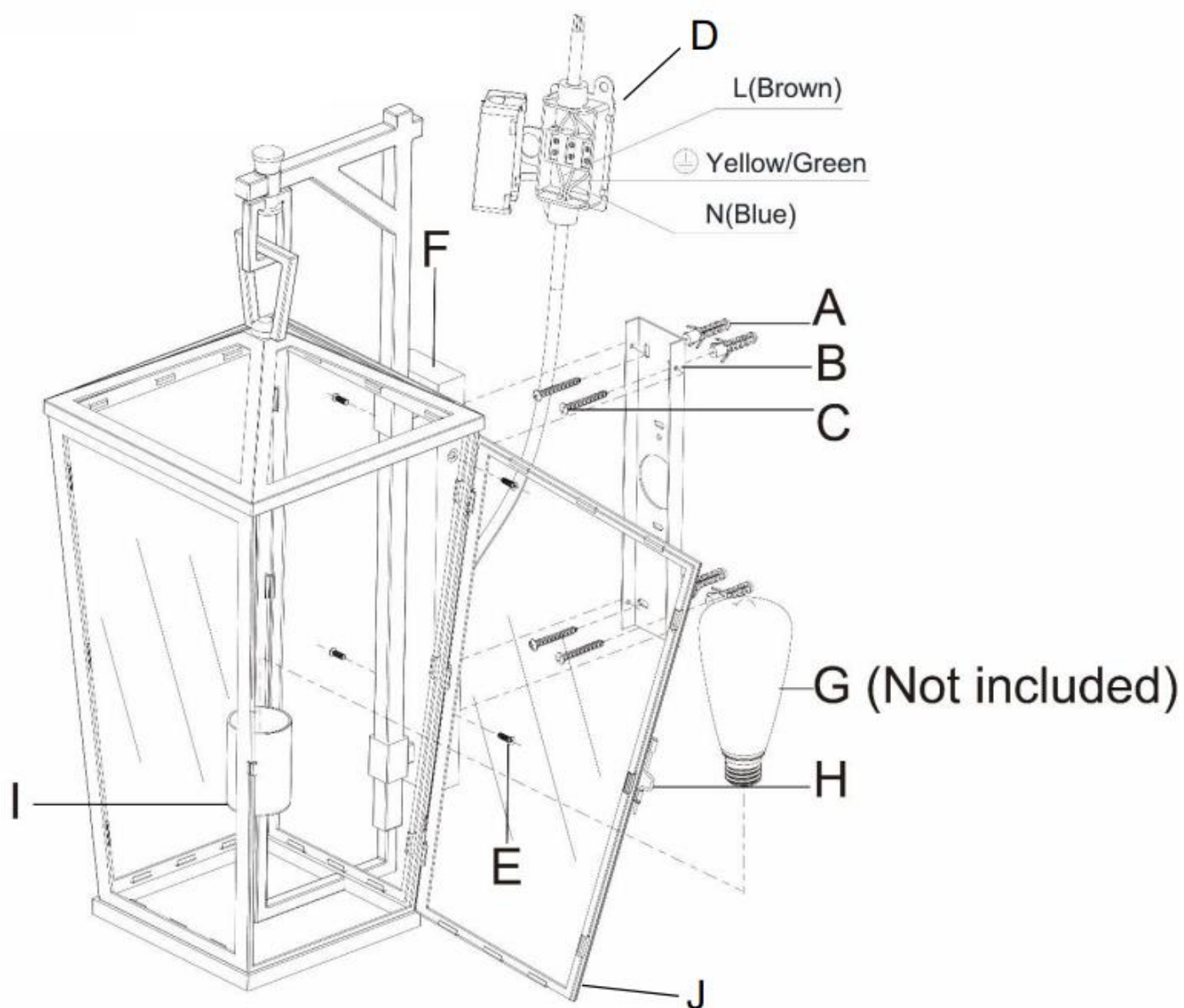
Blue or N

Brown or L

**NOTE: This luminaire is a Class I product and must be earthed during wiring and installation.**

5. Ensure the wires are secure and no bare wires are exposed. Install the cover back onto the terminal box (D).

6. Place the terminal box (D) in the canopy (F) at the rear of the Frame/Body (whole assembly).  
**NOTE: It is recommended that a non-corrosive bead of silicone be applied before installation onto the wall ensuring that no water can run down into the cabling.**
7. Install the canopy (F) of the luminaire onto the mounting bracket (B) and secure by tighten the screws (E).
8. Install a globe (G - not included) into the lamp holder (I). Do not exceed the maximum wattage rating.
9. Close the door (J) and secure with the sliding latch(H).
10. After the installation, switch on the luminaire to test and enjoy your new lighting product.



## Safety Tips

- Always ensure the power is OFF and the luminaire has cooled down before performing any maintenance, cleaning, changing the globes or making any adjustment to the luminaire.
- To avoid injury or damage to the luminaire, ensure that power leads and screws are secure before connecting the power.
- To clean wipe with a soft damp cloth. Do NOT soak or immerse the luminaire in water or other liquids.
- The luminaire must not be used if the protective shield has been cracked. Replace any cracked protective shield.
- Ensure that the luminaire does not come in contact with corrosive chemicals/solvents or abrasive cleaners etc.

## Specifications

SKU #	239620	239621
Rated Voltage	220-240V~ 50Hz	
Rated Wattage	45W Max.	
Lamp Holder	ES / E27	
Weight	4.6 kg	2.9kg
IP Rating	IP 44	
Luminaire Dimensions	H:590mm W:220mm E: 275mm	H:435mm W:168mm E: 215mm