

PENINSULA LED ADJUSTABLE SPOTLIGHT

SKU# 239640; 239641; 239643; 239644

Rated Voltage 220-240V~ 50Hz

To ensure correct function and safety, please read and follow all instructions carefully before assembly, installation and use of this product. Please keep instructions for future reference.

Warranty

- This luminaire is covered by a 5-year warranty. The warranty is from the date of purchase, not the date of installation.
- If the luminaire is not assembled and installed by a licensed electrician, the warranty will be void.
- Please retain the proof of purchase and evidence of installation by a licensed electrician for any warranty enquiries.
- Warranty will be void if there is any damage due to improper usage or modification to the luminaire.
- Failure to comply with the instructions in this manual may increase the risk of damage or injury and will void the warranty.

Installation Requirements

- This luminaire must be assembled and installed by a licensed electrician.
- All wiring and installation of the luminaire must adhere to the latest local and national wiring rules. E.g. AS/NZS 3000 Electrical Installations.
- The luminaire is a Class I product and must be earthed during wiring and installation.
- Do not exceed the maximum wattage rating.
- Select a suitable location for installation:
 - The luminaire can be installed on ceiling or wall.
 - The mounting point must support 2 times the weight of the luminaire.
 - This luminaire is protected against water penetration to IP54 standards, which is against low-pressure jets of water from all practicable directions. This must be maintained during wiring and installation.
- The luminaire must not be used if the protective shield has cracked. Replace the protective shield before using the luminaire.
- This luminaire is not suitable for dimming and should not be used with a circuit which has a dimmer. Warranty will be void if the luminaire is used on the same circuit which has a dimmer switch.
- Take care not to pull any electrical wires during unpacking as this may damage the connection.
- Lay out all the components on a smooth surface and make sure no components are missing before assembling. If parts are missing, return the complete product to the place of purchase for inspection or replacement.
- Check whether the luminaire has been damaged during transport. Do not operate/install any product which appears damaged in any way. Return the complete product to the place of purchase for inspection, repair or replacement.
- Ensure power to the circuit you are working on has been switched OFF before commencing any electrical work.

Installation Directions

1. Remove all packaging material from the product and be careful not to throw away accessories that may be hidden within the packaging material. If assembly is required, place the luminaire on a smooth non-scratch surface.
2. Remove the mounting bracket (B) from the luminaire (G) by loosening the screws (E) with the Allen key (D).
3. Use the mounting bracket (B) as a template to mark the screw positions on the wall or ceiling.
4. Insert the mains supply wire through the grommet of the mounting bracket (B)
5. Install the mounting bracket (B) onto the wall or ceiling by using appropriately sized mounting screws (C) and anchors (A).
Ensure the screws (C) and anchors (A) used are suitable for the mounting surface and the surrounding environment.
6. Connect the mains supply wire to the terminal block (F).

Mains Supply Wire

Earth – Yellow/Green

Neutral – Blue or Black

Live – Brown or Red

Luminaire Wire / Terminal block

Yellow/Green or 

Blue or N

Brown or L

Ensure that the wires are secure, and no bare wires are exposed.

NOTE: The luminaire is a Class I product and must be earthed during wiring and installation.

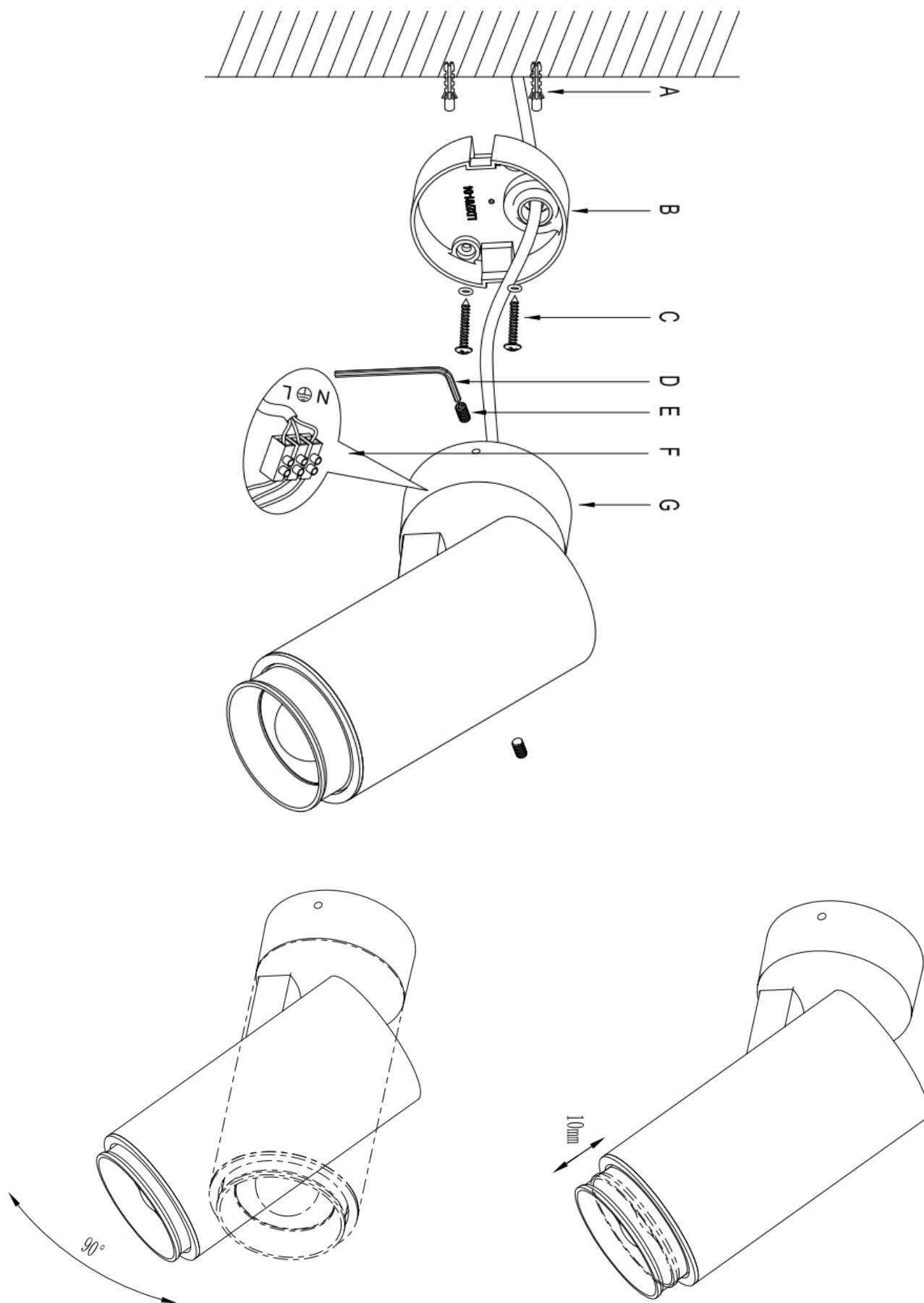
7. Install the luminaire (G) onto the mounting bracket (B) and secure it by tightening the screws (E) with the Allen key (D).
8. Adjust the shade to your desired angle.

NOTE: Do not rotate/twist the shade more than 90°, as this may damage the joint or the internal wiring.

9. Adjust the outer shade back and forth to your desired position.

NOTE: Do not adjust the outer shade more than 10mm, as this may damage the joint or the internal wiring.

10. After the installation, switch on the luminaire to test all the lighting functions and enjoy your new lighting product.



NOTE: Do not rotate/twist the shade more than 90°, as this may damage the joint or the internal wiring.
NOTE: Do not adjust the outer shade more than 10mm, as this may damage the joint or the internal wiring.

Safety Tips

- Always ensure the power is OFF and the luminaire has cooled down before performing any maintenance, cleaning, or making any adjustment to the luminaire.
- The luminaire must not be used if the protective shield or shade has been cracked or damaged. Replace the protective shield or shade before using the luminaire.
- To avoid injury or damage to the luminaire, ensure that power leads and screws are secure before connecting the power.
- To clean, wipe with a soft damp cloth. Do NOT soak or immerse the luminaire in water or other liquids.
- Ensure that the luminaire does not come in contact with corrosive chemicals/solvents or abrasive cleaners etc.
- The light source of this luminaire is not replaceable; when the light source reaches its end of life, the whole luminaire shall be replaced. There are no serviceable parts, do not attempt to dismantle or open the luminaire.

Specifications

SKU #	239640	239641	239643	239644
Colour	Black	White	Black	White
Rated Voltage	220-240V~ 50Hz			
Rated Wattage	8W			
LED Specs	3000K,650lm, Non-Dimmable, CRI >80		4000K,650lm, Non-Dimmable, CRI >80	
Weight	1kg			
Dimensions	H:165mm W:78mm E:195mm			