

ALERT II SENSOR FLOOD LIGHT

SKU# 240261, 240263

Rated Voltage 220-240V~ 50Hz

Thank you for purchasing this quality Lucci product. To ensure correct function and safety, please read and follow all instructions carefully before assembly, installation and use of this product. Please keep instructions for future reference.

Warranty

- This light fitting is covered by a 12 month warranty. The warranty is from date of purchase, not the date of installation.
- If the fitting is not assembled and installed by a licensed electrician the warranty will be void.
- Please retain proof of purchase and evidence of installation by a licensed electrician for any warranty claims.
- Warranty will be void if there is any damage due to improper usage or modification to the fitting.
- Failure to comply with the instructions in this manual may increase the risk of damage or injury and will void warranty.

Installation Requirements

- This fitting must be assembled and installed by a licensed electrician.
- All wiring and installation of the fitting must adhere to the current local and national wiring rules AS/NZS 3000.
- This fitting is a Class I product and must be earthed.
- This fitting is rated IP44, this must be maintained during wiring and installation.
- Do not exceed the maximum wattage rating.
- Select a suitable location for installation:
 - The mounting point must be able to support 2 times the weight of the fitting.
 - A clearance of 1.0m must be kept between the globe and the nearest wall or object etc.
 - This fitting is protected against water penetration to IP44 standards, which is splashing water from any direction.
 - It is recommended that the fitting is installed on its own switch and not interconnected with other lights on the same switch.
 - Avoid installing the fitting in close proximity or on the same circuit to any fluorescent light fittings or ceiling fans. RFI interference may cause the fitting to switch on unintentionally.
 - See the **Sensor Information** section in this instruction manual for additional information.
- Take care not to pull any electrical wires during unpacking as this may damage the connection.
- Lay out all the components on a smooth surface and make sure there are no components missing before assembling. If parts are missing, return the complete product to the place of purchase for inspection or replacement.
- Check whether the fitting has been damaged during transport. Do not operate/install any product which appears damaged in any way. Return the complete product to the place of purchase for inspection, repair or replacement.
- Ensure power to the circuit you are working on has been switched OFF before commencing any electrical work.

Sensor Information

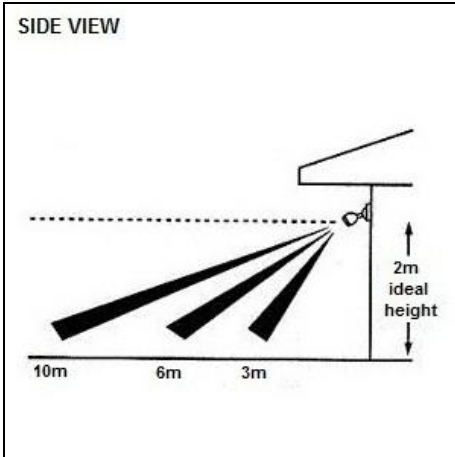
The fitting has a PIR (Passive Infra Red) sensing device which continuously scans the operating zone and immediately switches the light on when it detects any movement in that area. Whenever movement is detected within the range of the sensor, the light will switch on automatically to illuminate the area.

While there is movement within the sensor range, the light will remain on.

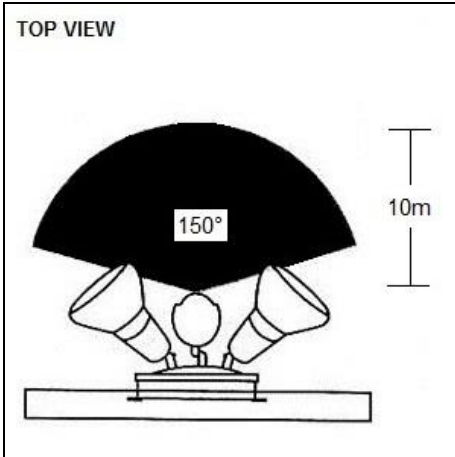
- To avoid damage to the sensor, do not aim the sensor towards the sun.
- To avoid nuisance triggering, the sensor should be directed away from potential heat sources such as barbecues, air-conditioners, flue vents etc. Also avoid areas with strong electromagnetic disturbance, outside lighting, moving cars, trees or pets.
- Do not aim towards reflective surfaces, such as smooth white walls, swimming pools etc.
- It is recommended that the fitting is installed on its own switch and not interconnect with other lights on the same switch.
- Avoid installing the fitting in close proximity or on the same circuit to any fluorescent light fittings or ceiling fans. RFI interference may cause the fitting to switch on unintentionally.

To achieve best results, we suggest you take into account the following:

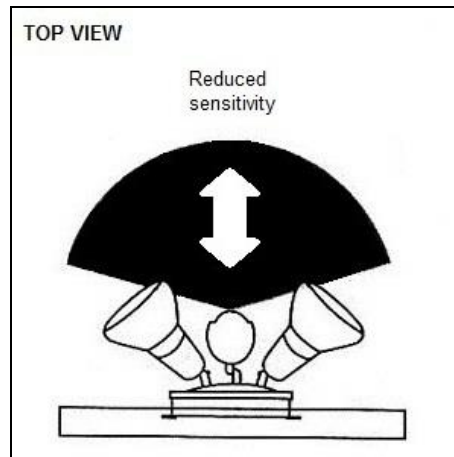
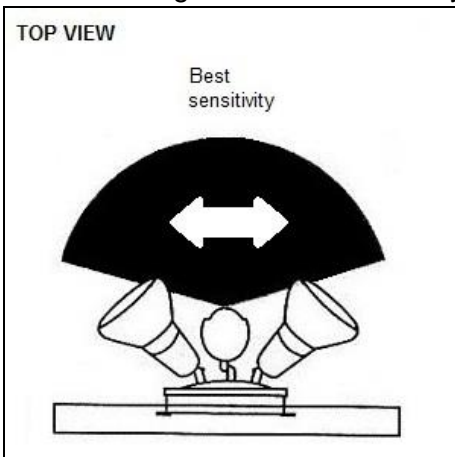
- Ideally the fitting should be mounted 2m above the detection area.



- The scanning area (approximately range is 10m out and 150° wide) may vary slightly depending on the mounting height and location. The detection range of the unit may also alter with temperature change.

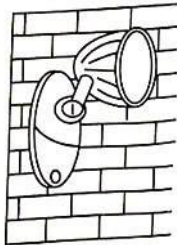


- Before selecting a place to install the fitting you should note that the movement across the scan area is more effective than movement directly towards or away from the sensor. If movement is made walking directly towards or away from the sensor and not across, the apparent detection range will be substantially reduced.

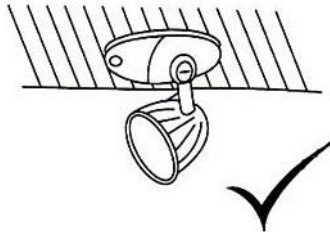


Installation Directions

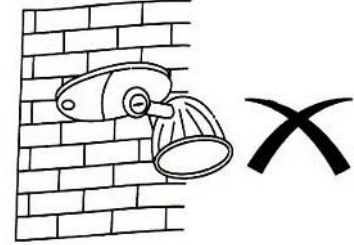
1. Remove all packaging material from the product and be careful not to throw away accessories that may be hidden within the packaging material.
2. Select a suitable location for installation. Locations under eaves are recommended and keep a minimum clearance distance of 1.0m between the glass lens and any surface. Also refer to information under the **Sensor Information** section. Take note of the installation direction of the fitting in the figure below.



Wall Mount
Vertical




Ceiling Mount
Any direction Horizontally




Wall Mount
Horizontal

3. Remove the back plate from the fitting by loosening the screws on the front of the fitting. Use the back plate as a template to mark the screw positions on the wall.
4. Install the back plate on the wall by using appropriately sized mounting screws and anchors. Take note of the directional label. Ensure the mounting screws and anchors used are suitable for the mounting surface.
NOTE: It is recommended that a non-corrosive bead of silicone be applied before installation onto the wall ensuring that no water can run down into the cabling.
5. Connect the mains supply wire to the terminal block. Ensure the wires are secure and no bare wires are exposed.

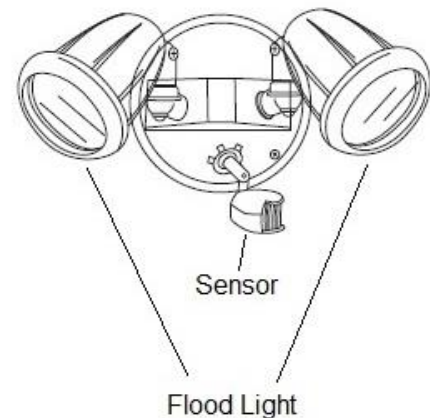
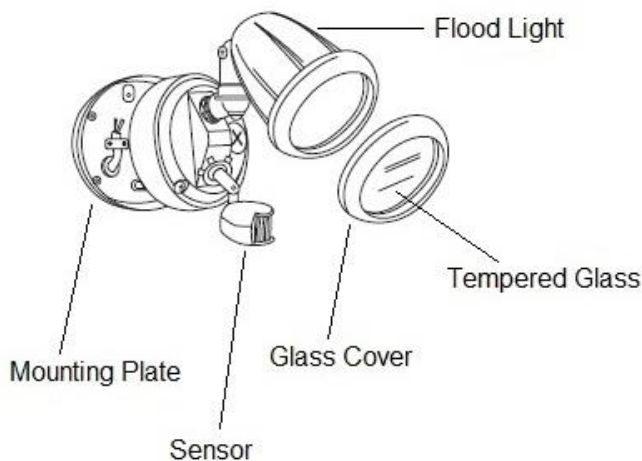
Mains Supply Wire

Earth – Yellow/Green 
Neutral – Blue or Black
Live – Brown or Red

Fitting Wire

Yellow/Green or 
Blue or N
Brown or L

6. Install the fitting onto the back plate and tighten the screws at the front of the fitting.
7. Install the globe into the lamp holder. Do not use bare hands to touch the globe. Use clean gloves, a cloth or a tissue; otherwise the life of the bulb will decrease. If the globe has been touched with bare hands, clean with methylated spirits. Do not exceed the maximum wattage rating.
8. Check that all parts are secured tightly. Switch on the fitting to test and enjoy your new lighting product.



Sensor Settings

DURATION TIME: The length of time the light will remain switched on can be adjusted.

Once the light has been triggered by the PIR sensor, any subsequent detection will start the timed period again from the beginning until there is no movement detected.

The minimum time set is approximately 5 seconds. Turn the dial anti-clockwise for a shorter duration

The maximum time set is approximately 8 minutes. Turn the dial clockwise for a longer duration.

LUX LEVEL: The sensor can be adjusted so that it can operate in any degree of brightness or darkness.

Turn the dial anti-clockwise towards the “sun” and it will operate in any degree of brightness.

Turn the dial clockwise towards the “moon” and it will operate in any degree of darkness.

AUTOMATIC & MANUAL MODES: Once the fitting is installed the indoor wall switch will control the fitting. Turning the indoor wall switch OFF will turn the fitting completely off.

When turning the indoor wall switch ON, the fitting will be in “automatic” mode. Leave the switch ON for continued normal operation. The sensor will switch the lights on and off automatically.

If you require the lights to stay on continuously you can override the sensor (“manual” mode) by turning the switch from ON to OFF and then immediately ON again.

To return the sensor to “automatic” mode, turn the switch OFF for at least 15 seconds and ON again. The fitting will now be in “automatic” mode.

Safety Tips

- Always ensure the power is OFF and the fitting has cooled down before performing any maintenance, cleaning, changing the globe or making any adjustment to the fitting.
- To avoid injury or damage to the fitting, ensure that power leads and screws are secure before connecting the power.
- The fitting must not be used if the shade has been cracked. Replace any cracked protective shield.
- Ensure that the fitting does not come in contact with corrosive chemicals/solvents or abrasive cleaners etc.
- To clean, wipe with a soft damp cloth. Do NOT soak or immerse the product in water or other liquids.

Specifications

SKU #	240261	240263
Model	1 Light with Sensor	2 Light with Sensor
Rated Voltage	220-240V~ 50Hz	
Rated Wattage	60W Max.	120W Max. (Use 2x Max. 60W)
Lamp Holder	G9	
IP Rating	IP44	
Weight	0.5kg	0.7kg
Dimensions	H:300mm W:180mm E:180mm MAX	H:175mm W:300mm E:200mm MAX