

ALERT 2 LIGHT LED FLOOD LIGHT WITH SENSOR

SKU# 240315, 240316

Rated Voltage 220-240V~ 50Hz

Thank you for purchasing this quality Lucci product. To ensure correct function and safety, please read and follow all instructions carefully before assembly, installation and use of this product. Please keep instructions for future reference.

Warranty

- This luminaire is covered by a 3-year warranty. The warranty is from the date of purchase, not the date of installation.
- If the luminaire is not assembled and installed by a licensed electrician, the warranty will be void.
- Please retain the proof of purchase and evidence of installation by a licensed electrician for any warranty enquiries.
- Warranty will be void if there is any damage due to improper usage or modification to the luminaire.
- This luminaire is not suitable for use with dimmer switches. Warranty will be void if the luminaire is used on the same circuit, which has a dimmer switch.
- Failure to comply with the instructions in this manual may increase the risk of damage or injury and will void the warranty.

Installation Requirements

- This luminaire must be assembled and installed by a licensed electrician.
- All wiring and installation of the luminaire must adhere to the latest local and national wiring rules. E.g. AS/NZS 3000 Electrical Installations.
- This luminaire is a Class I product and must be earthed during wiring and installation.
- This luminaire is rated IP44 and must be maintained during wiring and installation of the luminaire.
- Select a suitable location for installation:
 - The mounting point must be able to support 2 times the weight of the luminaire.
 - This luminaire is rated against water penetration to IP44 standards, which is water splashing from any direction.
 - It is recommended the luminaire is installed on its own switch and not interconnected with other luminaires on the same switch, as it may cause the luminaire to switch on unintentionally.
 - Avoid installing the luminaire in close proximity or on the same circuit to any fluorescent luminaires or ceiling fans. RFI interference may cause the luminaire to switch on unintentionally.
 - See the **Sensor Information** section in this instruction manual for additional information about the sensor detection range and sensitivity, to select a suitable installation location.
- The luminaire is not suitable to use with dimmer switches and must not be used with a circuit which has a dimmer.
- The luminaire must not be used if the protective shield or shade has been cracked or damaged.
- Take care not to pull any electrical wires during unpacking as this may damage the connection.
- Lay out all the components on a smooth surface and make sure no components are missing before assembling. If parts are missing, return the complete product to the place of purchase for inspection or replacement.
- Check whether the luminaire has been damaged during transport. Do not operate/install any product which appears damaged in any way. Return the complete product to the place of purchase for inspection, repair or replacement.

Sensor Information

PIR (PASSIVE INFRA-RED) SENSOR:

The luminaire has a PIR (Passive Infra-Red) sensing device which continuously scans the operating zone and immediately switches the luminaire on when it detects any movement in that area. Whenever movement is detected within the sensor range, the luminaire will switch on automatically to illuminate the area.

NOTE: While there are movements within the sensor range, the luminaire will remain on.

SENSOR LOCATION & DETECTION:

- The ideal mounting height is between 1.8m – 2.5m (Fig. A)
- The maximum detection area is approximately 8m away with an angle of 100° wide. The detection area will vary depending on the mounting height and items in the detection area. (Fig. A)
- The sensor has increased sensitivity with movement across the detection area. (Fig. B)
- The sensor has reduced sensitivity with movement towards and away from the detection area. (Fig. C)
- If movement is made walking directly towards or away from the sensor and not across its detection area, the detection range will be substantially reduced.
- The detection area may also alter at different temperatures. PIR sensors are more sensitive in cold weather than warm weather.
- To avoid damage to the sensor, do not aim the sensor towards the sun.
- To avoid false triggering:
 - The sensor should be directed away from potential heat sources such as air conditioners, exhaust vents etc.
 - Avoid areas with strong electromagnetic disturbance, outside lighting, moving cars, trees, pets etc.
 - Do not aim towards reflective surfaces, such as smooth white walls, swimming pools, ponds etc.
 - It is recommended the luminaire is installed on its own switch and not interconnected with other luminaires on the same switch.
 - Avoid installing the luminaire in close proximity or on the same circuit to any fluorescent luminaires or ceiling fans. RFI interference may cause the luminaire to switch on unintentionally.

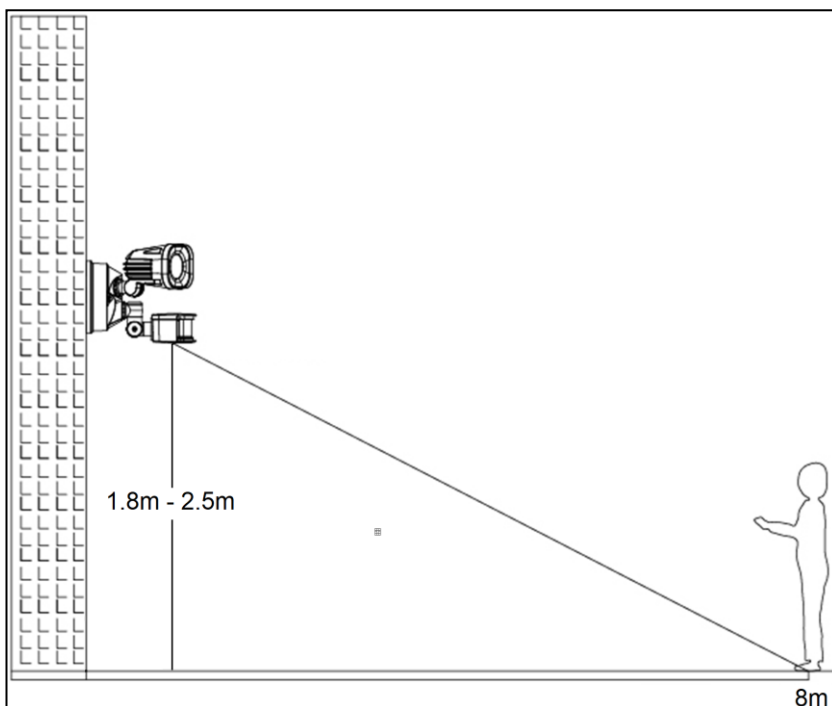


Fig. A

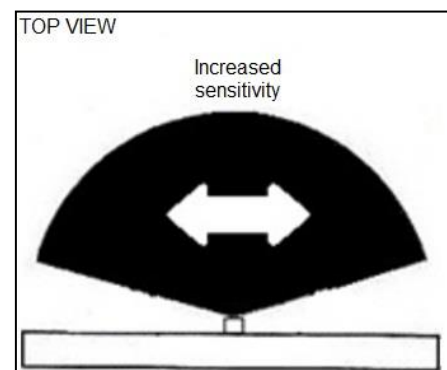


Fig. B

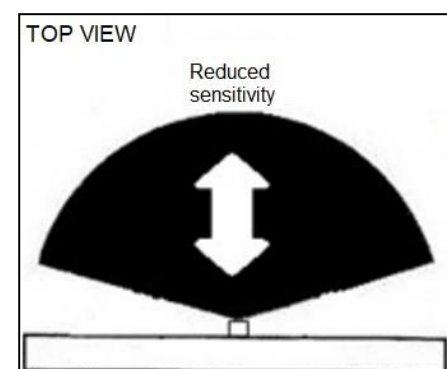


Fig. C


Installation Directions

- Remove all packaging material from the product and be careful not to throw away accessories that may be hidden within the packaging material. If assembly is required, place the luminaire on a smooth non-scratch surface.
- Ensure power to the circuit you are working on has been switched OFF before commencing any electrical work.
 - Loosening the nuts from the front of the luminaire.
 - Remove the mounting bracket from the luminaire.
 - Loosen the screws on the cord anchorage system.
 - Insert the mains supply wire through the grommet on the mounting bracket and feed it through to the terminal block.
 - Connect the mains supply wire to the terminal block. Ensure the wires are secure and no bare wires are exposed.

Mains Supply Wire

Earth – Yellow/Green
Neutral – Blue or Black
Live – Brown or Red

Luminaire Wire / Terminal Block

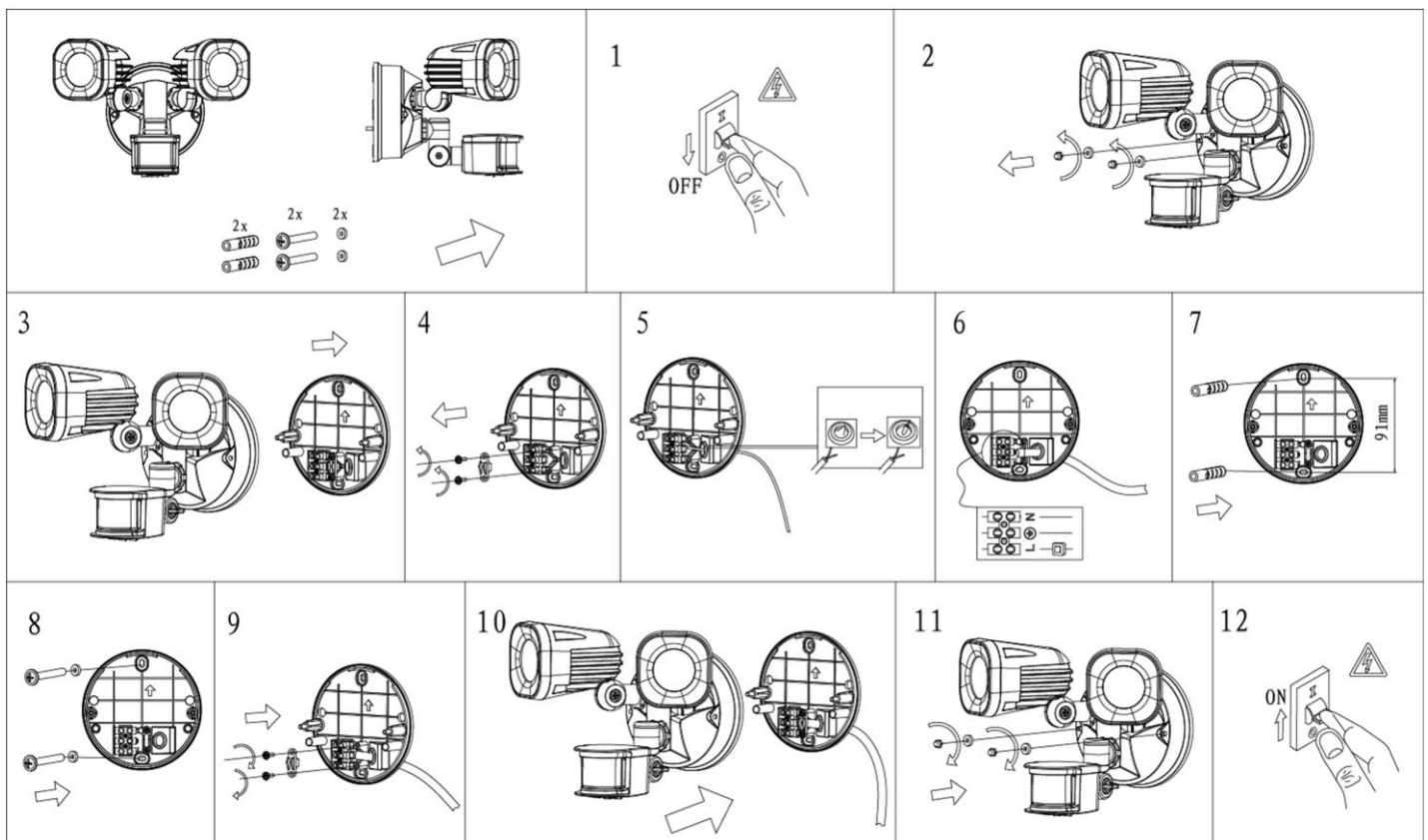
Yellow/Green 
Blue or N
Brown or L

NOTE: The luminaire is a Class I product and must be earthed during wiring and installation.

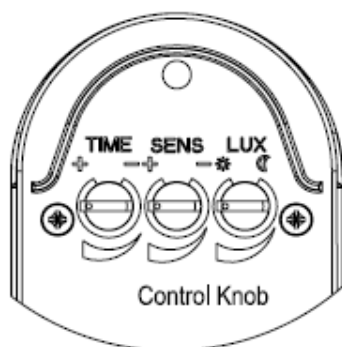
- Use the mounting bracket as a template to mark the screw positions on the wall.
- Take note of the directional label on the mounting bracket and install the mounting bracket onto the wall by using appropriately sized mounting screws, rubber washers and anchors. Ensure the screws, rubber washers and anchors used are suitable for the mounting surface and the surrounding environment.

NOTE: A non-corrosive bead of silicone MUST be applied before installation onto the wall ensuring that no water can run down into the cabling

- Tighten the screws on the cord anchorage system.
- Install the luminaire back onto the mounting bracket.
- Secure the luminaire by tightening the nuts at the front of the luminaire.
- After the luminaire has been fully installed, switch the power to the circuit ON.
- Ensure to setup and test all the functions on the luminaire before the electrician leaves.



Sensor Settings



TIME: The duration time of the luminaire remains ON can be adjusted.

The (+) position means the luminaire will be ON for the maximum duration time of 4 minutes.

The (-) position means the luminaire will be ON for the minimum duration time of 10 seconds.

NOTE: Once the PIR sensor has been triggered, any subsequent detection will start the timed period again from the beginning, the sensor will remain on until there is no movement detected.

SENS: The detection distance of the PIR sensor can be adjusted.

The (+) position means the maximum detection distance of the PIR sensor.

The (-) position means the minimum detection distance of the PIR sensor.

LUX: The sensor has a built-in sensing device (photocell) that detects daylight and darkness.

The (*) position means that the sensor will work at both day and night. Maximum light of 2000lux.

The ☺ position will only work at night. Minimum light of 3lux.

NOTE: If you want to test the detection area of the PIR sensor, please wait for the ambient light level is below 20lux.

Sensor Modes

AUTO MODE: Switch the power ON, and the luminaire will be on for about 50 seconds. When it turns off, wait 5 seconds, and the luminaire will now be in the auto mode. Now, the luminaire will switch on and off automatically when it detects any movement.

MANUAL MODE: While in auto mode, switch the power OFF-ON-OFF-ON within 3 seconds (toggle ON/OFF 2 times within 3 seconds). The luminaire will enter manual mode and will be continuously on for 8 hours (manual mode). After 8 hours, the sensor will return to the auto mode.

RESET: To return the sensor to auto mode during the manual mode, turn the power OFF for 15 seconds and ON again. The luminaire will now be in auto mode.

Trouble Shooting

PROBLEM	POSSIBLE CAUSE	SUGGESTED SOLUTION
Luminaire does not switch on when there is movement in the detection area.	No mains voltage.	Check all connections, fuses, switches.
	Nearby lighting is too bright.	Redirect sensor or relocate the unit.
	Controls set incorrectly.	Readjust sensor angle or control knob.
Luminaire switches on for no apparent reason (false trigger)	Heat sources such as air-con, vents, heater flues, barbecues, other outside lighting, moving cars are activating the sensor.	Adjust direction of sensor head away from these sources.
	Animals, birds, possums, pets etc.	Redirecting sensor head may help.
	Reflection from a swimming pool or another reflective surface.	Redirect sensor.
Luminaire remains on.	Continuously false triggered.	Redirecting sensor head may help.
	Time control is set too long.	Reduce time.
Luminaire switches on during daylight hours.	LUX control knob is set to daylight position.	Turn the LUX control knob to desired light level setting.
When setting controls in daylight the detection distance becomes shorter.	Interference by sunlight.	Re-test at night.

Safety Tips

- Always ensure the power is OFF and the luminaire has cooled down before performing any maintenance, cleaning or making any adjustment to the luminaire.
- To avoid injury or damage to the luminaire, ensure that power leads and screws are secure before connecting the power.
- To clean, wipe with a soft damp cloth. Do NOT soak or immerse the luminaire in water or other liquids.
- Ensure that the luminaire does not come in contact with corrosive chemicals/solvents or abrasive cleaners etc.
- The luminaire must not be used if the protective shield or shade has been cracked or damaged.
- The light source of this luminaire is not replaceable; when the light source reaches its end of life, the whole luminaire shall be replaced. There are no serviceable parts, do not attempt to dismantle or open the luminaire.
- There are no serviceable parts inside the sensor, do not attempt to dismantle or open the sensor.

Specifications

SKU #	240315	240316
Colour	Black	White
Rated Voltage	220-240V~ 50Hz	
Rated Wattage	24W	
Insulation Class	Class I	
LED Specs	1300 lumens, 4000K Cool-White, CRI > 80, Non-dimmable	
IP Rating	IP44	
Weight	1.0kg	
Dimensions	H:270mm W:300m E:195mm MAX	