

## ENDEAVOUR LED ROUND BUNKER WITH SENSOR

SKU# 240762, 240763


Rated Voltage 220-240V~ 50Hz

Thank you for purchasing this quality Bayside product. To ensure correct function and safety, please read and follow all instructions carefully before assembly, installation and use of this luminaire. Please keep instructions for future reference.

### Warranty

- This luminaire is covered by a 2 year warranty. The warranty is from date of purchase, not the date of installation.
- If the luminaire is not installed by a licensed electrician it will void the warranty.
- Please retain proof of purchase and evidence of installation by a licensed electrician for any warranty enquiries.
- Warranty will be void if there is any damage due to improper usage or modification to the luminaire.
- This luminaire is not suitable for use with dimmer switches. Warranty will be void if the luminaire is used on the same circuit which has a dimmer switch.
- Failure to comply with the instructions in this manual may increase the risk of damage or injury and will void warranty.

### Installation Requirements

- Must be assembled and installed by a licensed electrician.
- All wiring and installation of the light fitting must adhere to local and national wiring rules.  
eg. AS/NZS 3000:2007/Amendment 2:2012 Electrical installations.
- This luminaire is rated IP54, this must be maintained during wiring and installation.
- Select a suitable location for installation:
  - This luminaire is protected against water penetration to IP54 standards, which is splashing in every direction.
  - The mounting point must support 2 times the weight of the luminaire.
- CAUTION: risk of electric shock . The light source of this luminaire is not replaceable; when the light source reaches its end of life the whole luminaire will require replacement.
- Take care not to pull any electrical wires during unpacking as this may damage the connection.
- Lay out all the components on a smooth surface and make sure there are no components missing before assembling. If parts are missing, return the complete product to the place of purchase for inspection or replacement.
- Check whether the luminaire has been damaged during transport. Do not operate/install any luminaire which appears damaged in any way. Return the complete product to the place of purchase for inspection, repair or replacement.
- Ensure power to the circuit you are working on has been switched OFF, before commencing any electrical work.

### PIR sensor information

#### **PIR (PASSIVE INFRA RED) SENSOR:**

The fitting has a PIR (Passive Infra Red) sensing device which continuously scans the operating zone and immediately switches the light on when it detects movement in that area. Whenever movement is detected within the range of the sensor, the light will switch on automatically to illuminate the area. While there is movement within the sensor range, the light will remain on.

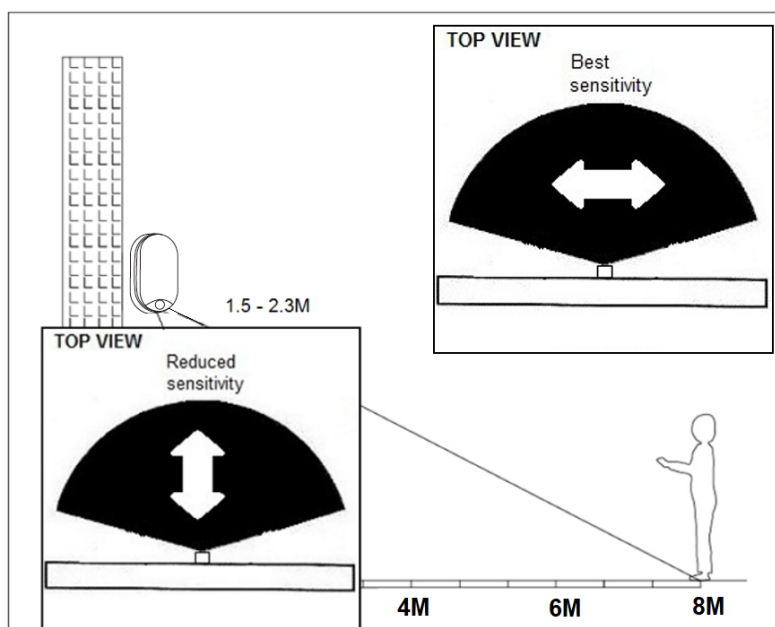
#### **SENSOR LOCATION & INFORMATION:**

To find a suitable location for installation, please take into consideration the following points:

- The ideal mounting height for the fitting is between 1.5m to 2.3m above the detection area.
- The detection area is approximately 8 metres away at an angle of 90° wide. This may vary depending on the

mounting height and location.

- The detection area may also alter at different temperatures. PIR sensors are more sensitive in cold weather than warm weather.
- The sensor has better sensitivity with movement across the detection area.
- The sensor has reduced sensitivity with movement towards and away from the detection area.
- If movement is made walking directly towards or away from the sensor and not across, the apparent detection range will be substantially reduced.
- To avoid false triggering, the sensor should be directed away from potential heat sources, such as barbecues, air-conditioners, air vent etc.
- Also avoid areas with electromagnetic disturbance, outside lighting, moving cars, trees or pets etc.
- Avoid installing the fitting in close proximity or on the same circuit to any fluorescent light fittings or ceiling fans. RFI (Radio Frequency Interference) may cause the fitting to switch on unintentionally.
- Do not aim the sensor towards reflective surfaces, such as smooth white walls, swimming pools etc.
- To avoid damage to the sensor, do not aim the sensor towards the sun.
- It is recommended that the fitting is installed on its own switch and does not interconnect with other lights on the same switch as it may cause false triggering.



## Installation Directions

Remove all packaging material from the product and be careful not to throw away accessories that may be hidden within the packaging material. If assembly is required, place the luminaire on a smooth non-scratch surface.

1. Pull the decorative ring out from the luminaire. And remove the diffuser by loosening the screws. Fig.2
2. Insert the power cords through the hole on the lamp base. Connect the main supply wire to the terminal block. Ensure wires are secure and no bare wires are exposed. Fig.3

### Mains Supply Wire

Neutral – Blue or Black

Live – Brown or Red

### Luminaire Wire

Blue or N

Brown or L

3. Use the lamp base as a template to mark the screw position on the installation area. Fig. 4
4. Install the lamp base onto the installation area using appropriate size mounting screws and anchors. Ensure the screws are suitable for the mounting surface and surrounding environment. Fig. 4

5. Adjust the PIR sensor setting to your preferred. Fig. 5

## **SENSOR SETTINGS:**

**DURATION TIME:** The length of time the light will remain switched on after activation can be adjusted from 10secs  $\pm 5$  to 5mins  $\pm 1$ . Rotating the time from (+) to (-) will reduce the duration time.

NOTE: Once the light has been triggered by the PIR sensor, any subsequent detection will start the timed period again from the beginning, the light will remain on until there is no movement detected.

**LUX LEVEL:** The lux control module has a built-in sensing device (photocell) that detects daylight and darkness. The (\*) position means that the fitting will work at both day and night. The (D) position will only work at night.

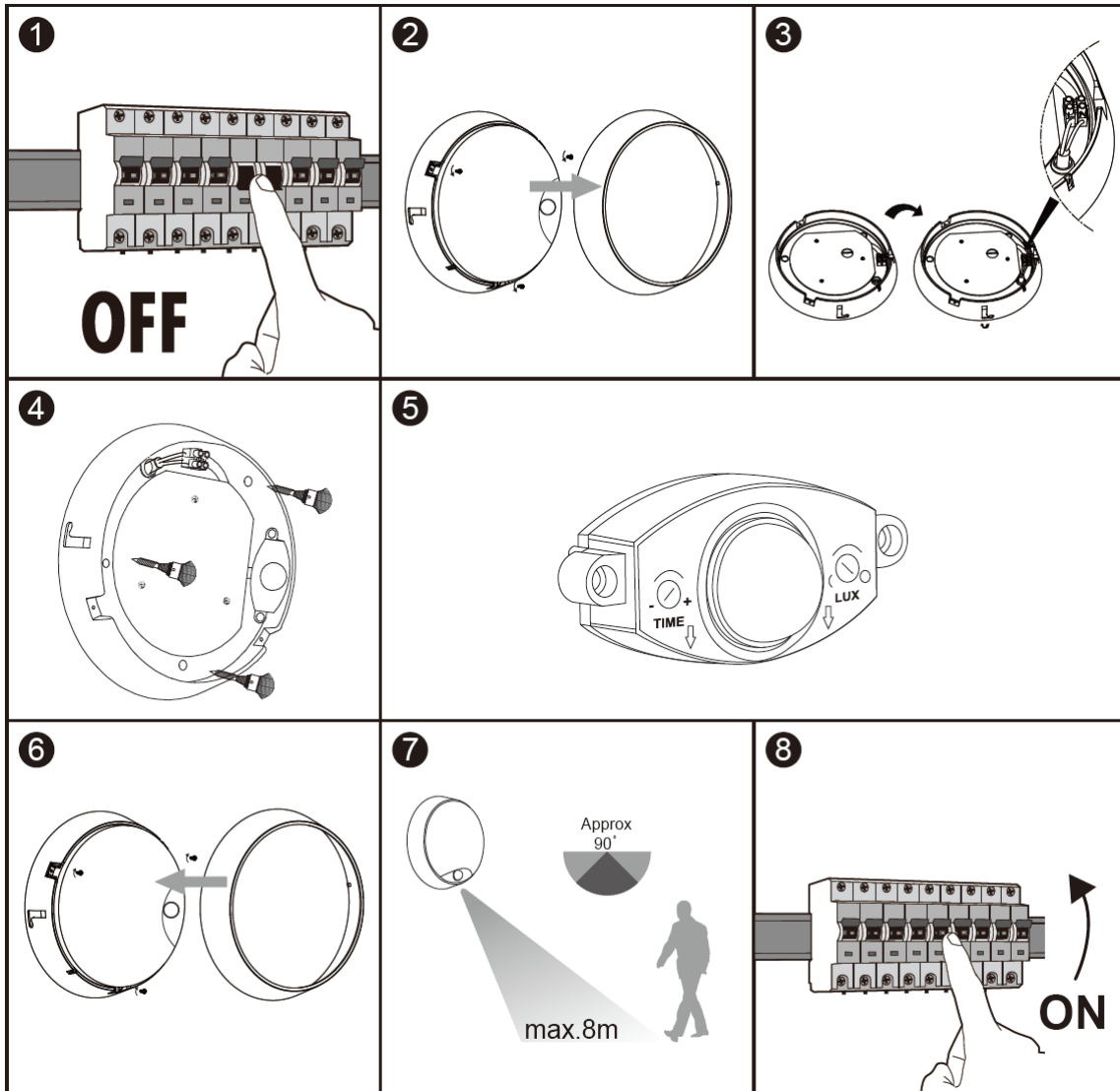
NOTE: If you want to test the detection area of the PIR sensor, please wait for the ambient light level is below 20 lux.

## **SENSOR TESTING:**

- A. Put the LUX control knob to the light (\*) position and the TIME control knob to minimum (-). Turn the wall switch on and the light will turn on and remain on for about 15 seconds for the “warm-up” mode. After this initial “warm up” mode the light will turn off and the fitting will be in AUTO MODE.
- B. Direct the sensor toward the desired area to be scanned by twisting the sensor left and right.
- C. Have someone walk across the centre of the area to be scanned and slowly adjust the angle of the sensor until the fitting can sense the moving person and causes the light to switch on.
- D. Adjust the TIME control knob to the desired length of time for the fitting to remain on.
- E. Adjust the LUX control knob to achieve the ideal ambient light for the fitting to switch “on”.  
For the fitting to switch ‘on’ when the ambient light is darker, switch the LUX control knob from (\*) to (D).  
For the fitting to switch ‘on’ when the ambient light is brighter, switch the LUX control knob from (D) to (\*).  
You may need to make further adjustments to achieve your ideal light level setting.

## **NOTE: This luminaire DOES NOT have Override Function**

6. Reinstall the diffuser back to lamp base. Push and press the decorative ring onto the luminaire. Fig.6
7. After the installation, switch on the fitting to test and enjoy your new lighting product.



## Safety tips

- Always ensure the power is OFF and the fitting has cooled down before performing any maintenance, cleaning or making any adjustment to the luminaire.
- To avoid injury or damage to the luminaire, ensure that power leads and screws are secure before connecting the power.
- Select a suitable location away from hazards.
- The luminaire must not be used if the shade has been cracked. Replace any cracked protective shield.
- To clean, wipe with a soft damp cloth. Do NOT soak or immerse the product in water or other liquids.
- Ensure that the luminaire does not come in contact with corrosive chemicals/solvents or abrasive cleaners etc.

## Specifications

SKU #	240762	240763
Colour #	Black	
Rated Voltage	220-240V~ 50Hz	
Rated Wattage	10W	
LED	DACOL LEDS, 3000K, 600 lumens	DACOL LEDS, 4000K, 600 lumens
Weight	0.43kg	
IP Rating	IP54	
Dimensions	H:215mm W:215mm E:80mm	