

TANIMI UP/DOWN WALL SCONCE

SKU# 240770, 240771, 240772

Rated Voltage 220-240V~ 50Hz

Thank you for purchasing this quality MFL product. To ensure correct function and safety, please read and follow all instructions carefully before assembly, installation and use of this luminaire. Please keep instructions for future reference.

Warranty

- This luminaire is covered by a 12 month warranty. The warranty is from date of purchase, not the date of installation.
- If the luminaire is not assembled and installed by a licensed electrician the warranty will be void.
- Please retain proof of purchase and evidence of installation by a licensed electrician for any warranty enquiries.
- Warranty will be void if there is any damage due to improper usage or modification to the luminaire.
- Failure to comply with the instructions in this manual may increase the risk of damage or injury and will void warranty.

Installation Requirements

- Must be assembled and installed by a licensed electrician.
- All wiring and installation of the luminaire must adhere to the latest local and national wiring rules.
eg. AS/NZS 3000 Electrical installations.
- This luminaire is a Class I product and must be earthed during wiring and installation.
- Replace any cracked protective lamp shade to maintain IP rating when using this luminaire.
- Do not exceed the maximum wattage rating.
- Select a suitable location for installation:
 - This luminaire is protected against water penetration to IP65 standards, which is against low pressure jets of water from all practicable direction. This must be maintained during installation.
 - The mounting point must be able to support 2 times the weight of the luminaire.
- Take care not to pull any electrical wires during unpacking as this may damage the connection.
- Lay out all the components on a smooth surface and make sure there are no components missing before assembling. If parts are missing, return the complete product to the place of purchase for inspection or replacement.
- Check whether the luminaire has been damaged during transport. Do not operate/install any product which appears damaged in any way. Return the complete product to the place of purchase for inspection, repair or replacement.
- Ensure power to the circuit you are working on has been switched OFF before commencing any electrical work.

Installation Directions

1. Remove all packaging material from the product and be careful not to throw away accessories that may be hidden within the packaging material. If assembly is required, place the luminaire on a smooth non-scratch surface.
2. Remove the mounting bracket from the luminaire by loosening the screws. And remove the glass by loosening the screws with an Allen key provided. Fig. 1
3. Use the mounting bracket as a template to mark the screw positions on the wall. Fig. 2
4. Install the mounting bracket onto the wall by using appropriately sized mounting screws and anchors. Ensure the screws and anchors used are suitable for the mounting surface and the surrounding environment. Fig. 3
5. Loosen the terminal grommet. Connect the mains supply wire to the terminal block. Fig. 4


Mains Supply Wire

Earth – Yellow/Green

Neutral – Blue

Live – Brown

Luminaire Wire / Terminal Block

Yellow/Green or 

Blue or N

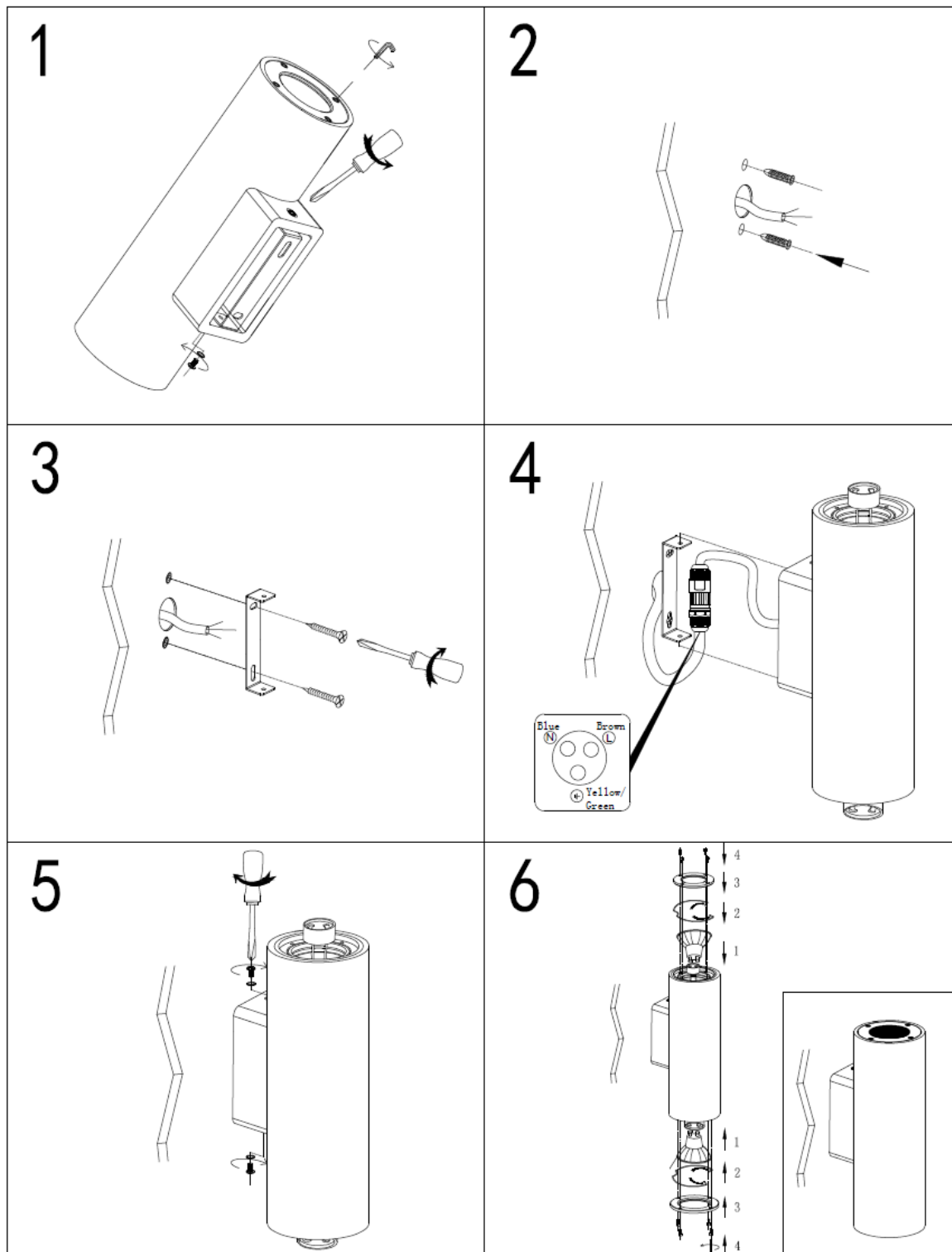
Brown or L

Ensure the wires are secure and no bare wires are exposed.

NOTE: The terminal grommet is suitable for H05V-K type power cord, if the main supply wire from the wall is different, a non-corrosive bead of silicone MUST be applied before installation onto the wall ensuring that no water can run down into the cabling.

Re-tighten the terminal grommet back onto the terminal box.

6. Install the luminaire onto the mounting bracket and secure by tightening the screws. Fig. 5
7. Install globes (not included) into the lamp holders. Do not exceed the maximum wattage rating. Secure the globes onto the luminaire using the spring clips. Reinstall the glasses onto the luminaire follow by the rubber rings and secure them by tightening the screws. Fig. 6
8. After the installation, switch on the luminaire to test and enjoy your new lighting product.



Safety Tips

- Always ensure the power is OFF and the luminaire has cooled down before performing any maintenance, cleaning, changing the globe or making any adjustment to the luminaire.
- To avoid injury or damage to the luminaire, ensure that power leads and screws are secure before connecting the power.
- The luminaire must not be used if the protective shield has been cracked. Replace any cracked protective shield before using the luminaire.
- Ensure that the luminaire does not come in contact with corrosive chemicals/solvents or abrasive cleaners etc.
- To clean, wipe with a damp clean cloth. Do NOT soak or immerse the luminaire in water or other liquids.

Specifications

SKU #	240770	240771	240772
Colour	Concrete	Black	Natural
Rated Voltage	220-240V~ 50Hz		
Rated Wattage	16W Max. (2 x Max. 8W LED globe)		
Lamp Holder	GU10		
Weight	2.2kg		
IP Rating	IP65		
Canopy Size	H:108mm W:54mm E:38mm		
Dimensions	H:253mm W:83mm E:113mm		