

BRABA 12V LED STEP LIGHT

SKU# 240795, 240796

Rated Voltage 12V AC

Thank you for purchasing this quality Lucci product. To ensure correct function and safety, please read and follow all instructions carefully before assembly, installation and use of this product. Please keep instructions for future reference.

NOTE: This installation instruction applies to the 12V side of the luminaire only.

This luminaire is 12V extra-low voltage and can be DIY.

Do not plug this luminaire directly into 240V.

When working with 240V, a licensed electrician is required.

The Lucci wiring kit (SKU# 220826, 220827), Lucci transformer (SKU# 220818, 220819, 220829) are sold separately.

Warranty

- This luminaire is covered by a 3 year warranty. The warranty is from date of purchase, not the date of installation. Please retain proof of purchase.
- Warranty will be void if there is any damage due to improper usage or modification to the luminaire.
- Failure to comply with the instructions in this manual may increase the risk of damage or injury and will void warranty.

Installation requirements

- All wiring and installation of the luminaire must adhere to the latest local and national wiring rules. eg. AS/NZS 3000 Electrical installations. If unsure, please contact a licensed electrician.
- This luminaire is rated IP65. This must be maintained during installation.
- Replace any cracked protective lamp shade to maintain IP rating when using this luminaire.
- Select a suitable location for installation:
 - This luminaire is protected against water penetration to IP65 standards, which is against low pressure jets of water from all practicable directions. This must be maintained during installation.
 - The wiring kit and connectors are not suitable for underground installation without protection from water or damp conditions. It is not designed to be immersed in water.
 - The installation location may require a gravel substrate to help with water drainage, to prevent the wiring kit and connectors being submerged in water after heavy rain or from watering the garden.
 - Do not install the luminaire onto the ceiling.
 - Building element and structural members can be abutted to the luminaire.
 - Do not cover with thermal insulation.
- Take care not to pull any electrical wires during unpacking as this may damage the connection.
- Lay out all the components on a smooth surface and make sure there are no components missing before assembling. If parts are missing, return the complete product to the place of purchase for inspection or replacement.
- Check whether the luminaire has been damaged during transport. Do not operate/install any product which appears damaged in any way. Return the complete product to the place of purchase for inspection, repair or replacement.
- Ensure power to the circuit you are working on has been switched OFF before commencing any electrical work.

Installation directions

Turn off the main supply before installation.

1. Remove all packaging material from the product and be careful not to throw away accessories that may be hidden within the packaging material. (Fig.1)
2. Cut the hole in the installation area according to the cut-out size. (Fig.2)
3. Connect wiring to the output wire of the transformer by the quick connector. (Fig.3A)

USING LUCCI WIRING KIT AND LUCCI TRANSFORMER (both sold separately)

4. Remove the cover from the connector on the wiring kit (SKU# 220826, 220827).
Connect the luminaire to the transformer (Fig.3B) or to wiring kit by the quick connector. **NOTE: The wiring kit is rated for a 120VA load only.**

Connect the wiring kit (SKU# 220826, 220827) to the transformer (SKU# 220818, 220819, 220829).

NOTE: The transformers are rated for 80VA, 28VA and 10VA load respectively.

Proceed to step 6.

USING OTHER WIRING AND TRANSFORMER (not included)

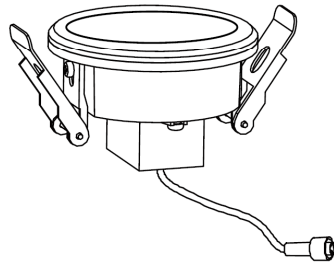
5. Remove the 12V bi-pin connector from the cable for hard wiring or alternative wiring method and power supply system. This luminaire is rated IP65, this must be maintained during wiring and installation.
Ensure that the wires are secure and no bare wires are exposed. Ensure all wiring and the transformer used are appropriately rated and suitable for the location used. **If unsure, please contact a licensed electrician.**

Proceed to step 6.

6. Insert the luminaire into the cut-out hole. (Fig.4)

Turn the power on and enjoy your luminaire.

1

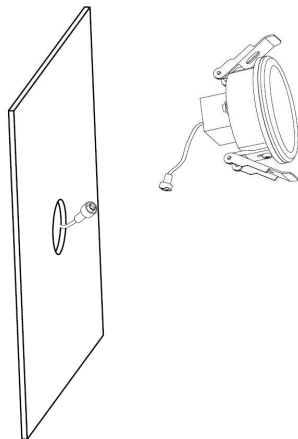


2

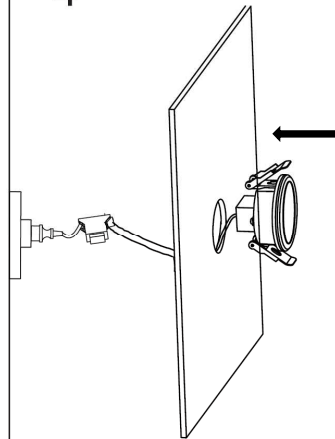


Cut out size D:72mm

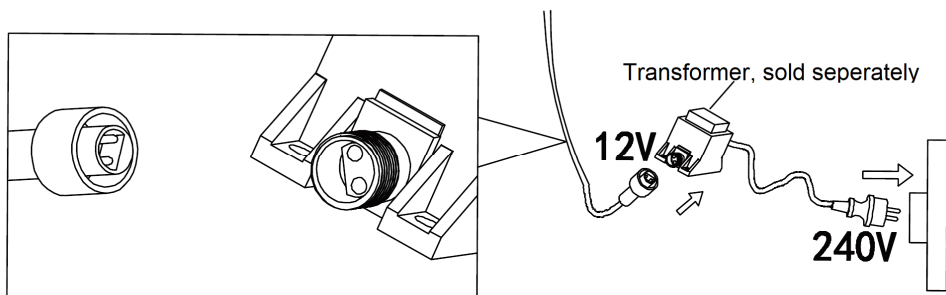
3A



4



3B



Safety tips

- Always ensure the power is OFF and the luminaire has cooled down before performing any maintenance, cleaning, changing the globe or making any adjustment to the luminaire.
- The external flexible cable or cord of this luminaire cannot be replaced; if the cable or cord is damaged, the luminaire shall be destroyed.
- The luminaire must not be used if the protective shield has been cracked or damaged.
- To avoid injury or damage to the luminaire, ensure that power leads and screws are secure before connecting the power.
- Ensure that the luminaire does not come in contact with corrosive chemicals, etc.
- To clean, wipe with a damp clean cloth. Never soak the luminaire with water.

Specifications

SKU #	240795	240796
Color	Black	White
Rated Voltage	12V AC	
Rated Wattage	3W	
LED Specs	60 lumen, 3000K, CRI > 80	100 lumen, 3000K, CRI > 80
IP Rating	IP65	
Cut out size	72 mm	
Weight	0.2kg	
Dimensions	Dia:80mm H:45mm	