

Manor

SKU# 250756

Rated Voltage 220-240V~ 50Hz

Thank you for purchasing this quality Lucci product. To ensure correct function and safety, please read and follow all instructions carefully before using the product. Please keep the instructions for future reference.

Warranty

- This light fitting is covered by a 12 month warranty. Please retain proof of purchase.
- Warranty will be void if there is any damage due to improper usage or modification to the fitting.

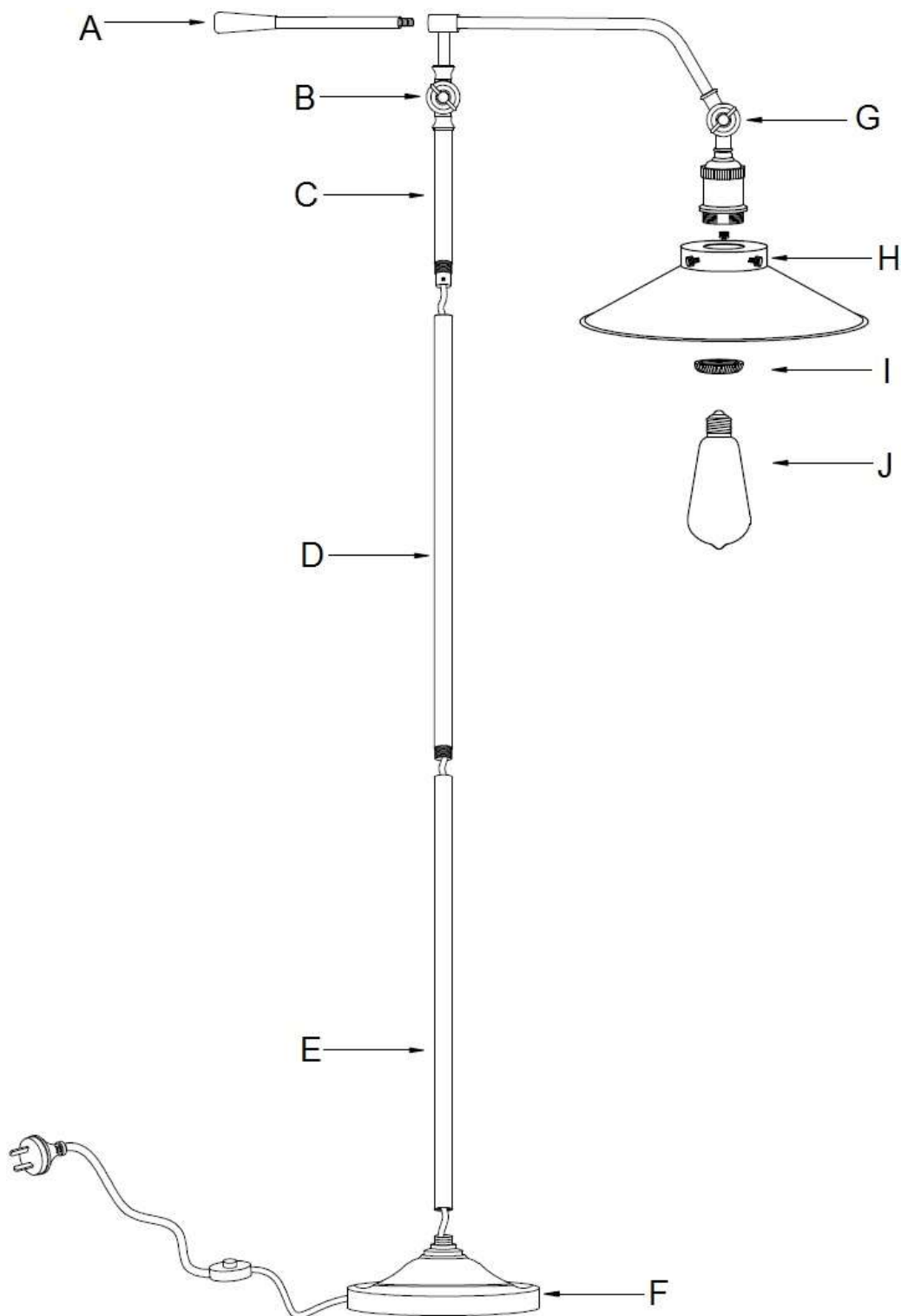
Installation requirements

- Select a suitable location for installation;
 - Ensure it is on a flat and stable surface.
 - This product is suitable for indoor use only.
 - Do not place flammable material near or over the fitting.
 - Ensure the fitting is not installed next to any air vents and is not in any moist or damp areas.
- Do not exceed the maximum wattage rating.
- Take care not to pull any electrical wires during unpacking as this may damage the connection.
- Lay out all the components on a smooth surface and make sure there are no components missing before assembling. If parts are missing, return the complete product to the place of purchase for inspection or replacement.
- Check whether the fitting has been damaged during transport. Do not operate/install any product which appears damaged in any way. Return the complete product to the place of purchase for inspection, repair or replacement.
- Do not plug into the mains power socket outlet before or during assembly. Only do so after the portable lamp is fully assembled and ready to use for the first time.

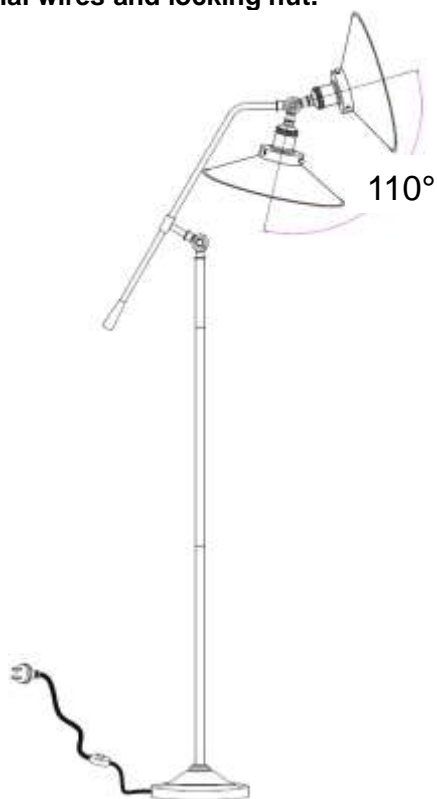
Installation directions

1. Remove all packaging material from the product.
2. To help with assembly, lay the fitting on its side on a smooth non scratch surface.
3. Attach the rear handle (A) onto the fitting.
4. Attach the top part of the fitting (C) onto the top rod (D) followed by the bottom rod (E) and then the base (F). Pull the cord out from the bottom of the base as you assemble the fitting to remove any slack in the cord. Take care not to cross thread or twist and damage the cord.
5. Remove the lamp holder ring (I) from the lamp holder.
6. Install the shade (H) onto the lamp holder and secure with the lamp holder ring (I).
7. To adjust the angle of the arm and shade, no tool is required. Loosen the locking nuts (B & G) and adjust to the desired angle. Never adjust the arm and shade without first loosening the locking nuts (B & G) on the fitting. See the diagram on page 3 for the maximum adjustment angles for the arm and shade. Do not force or adjust the arm and shade more than these maximum angles. It may damage the product and internal wiring.
NOTE: During normal operation the shade may be hot to touch. Always ensure the power is OFF and the fitting has cooled down before performing any maintenance, cleaning, changing the globe or adjustment to the fitting.
8. After adjusting the angle of the arm and shade, check that the fitting is balanced and does not tip over easily.
9. Install a globe (J - not included) into the lamp holder. Do not exceed the maximum wattage rating.
10. Insert the plug into the socket outlet and ensure it is fully plugged in.
11. Turn power on at the socket outlet.
12. Use the cord line switch to turn the lamp on/off.

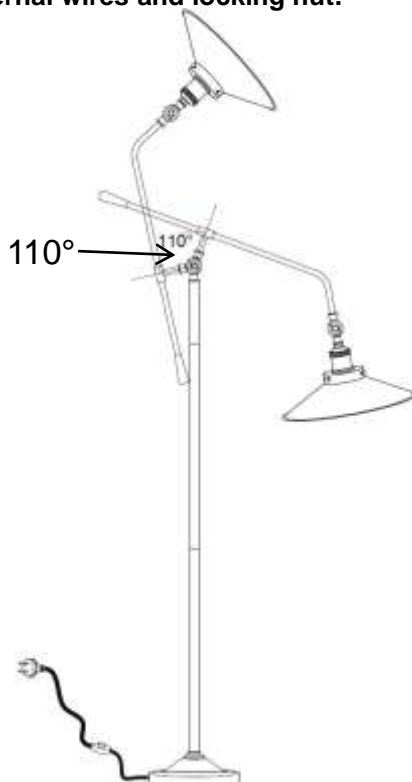
NOTE: The locking nuts (B & G) must be loosened first, before adjusting the angle of the arm and shade. If the locking nuts (B & G) are not loosened first and the arm or shade is adjusted, this may damage the locking nuts and the warranty will be void.



NOTE: When adjusting the shade, do not adjust more than 110° . Refer to the picture below.
Doing so may damage the internal wires and locking nut.



NOTE: When adjusting the arm of the fitting, do not adjust more than 110° . Refer to the picture below.
Doing so may damage the internal wires and locking nut.



Safety tips

- Always ensure the power is OFF and the fitting has cooled down before performing any maintenance, cleaning, changing the globe or adjustment to the fitting.
- To avoid injury or damage to the fitting, ensure that power leads and screws are secure before connecting the power.
- Young children should be supervised to ensure that they do not play with the portable lamp.
- Select a suitable location away from liquids and hazards.
- Ensure that the fitting does not come in contact with corrosive chemicals, etc.
- To clean, wipe with a damp clean cloth. Never soak the fitting with water.

Specifications

SKU #	250756
Model #	LD-F3173B/PW
Rated Voltage	220-240V~ 50Hz
Rated Wattage	42W MAX
Lamp Holder	ES / E27
Weight	9.4kg
Dimensions	W:300mm L:740mm H:1720mm MAX