

## IKON LED TABLE LAMP WITH WIRELESS CHARGER

SKU# 250885, 250886

Rated Voltage 12V DC, 1.5A

Thank you for purchasing this quality Lucci product. To ensure correct function and safety, please read and follow all instructions carefully before assembly, installation and use of the product. Please keep the instructions for future reference.

### Warranty

- This product is covered by a 3 year warranty. Please retain proof of purchase.
- Warranty will be void if there is any damage due to improper usage or modification to the product.
- Failure to comply with the instructions in this manual may increase the risk of damage or injury and will void warranty.

### Installation requirements

- Select a suitable location for the luminaire;
  - Ensure it is on a flat and stable surface.
  - This product is suitable for indoor use only.
  - Do not place flammable material near or over the luminaire.
  - Ensure the luminaire is not placed next to any air vents and is not in any moist or damp areas.
- Take care not to pull any electrical wires during unpacking as this may damage the connection.
- Lay out all the components on a smooth surface and make sure there are no components missing before assembling.  
If parts are missing, return the complete product to the place of purchase for inspection or replacement.
- Check whether the luminaire has been damaged during transport. Do not operate/install any product which appears damaged in any way. Return the complete product to the place of purchase for inspection, repair or replacement.

### Operation directions

#### **Operation:**

1. Remove all packaging material from the product.
2. Select a suitable location for the table lamp. See the installation requirements above.
3. Insert the connector of the power adaptor into the base.

**NOTE: Only use with the adaptor provided with the table lamp.**

4. Insert the power adapter into the mains socket outlet and ensure it is fully plugged in.
5. Turn power on at the mains power socket outlet.
6. Adjust the lamp head to your desired angle.

**NOTE: Do not adjust over 90° horizontally as this may damage the internal wires.**

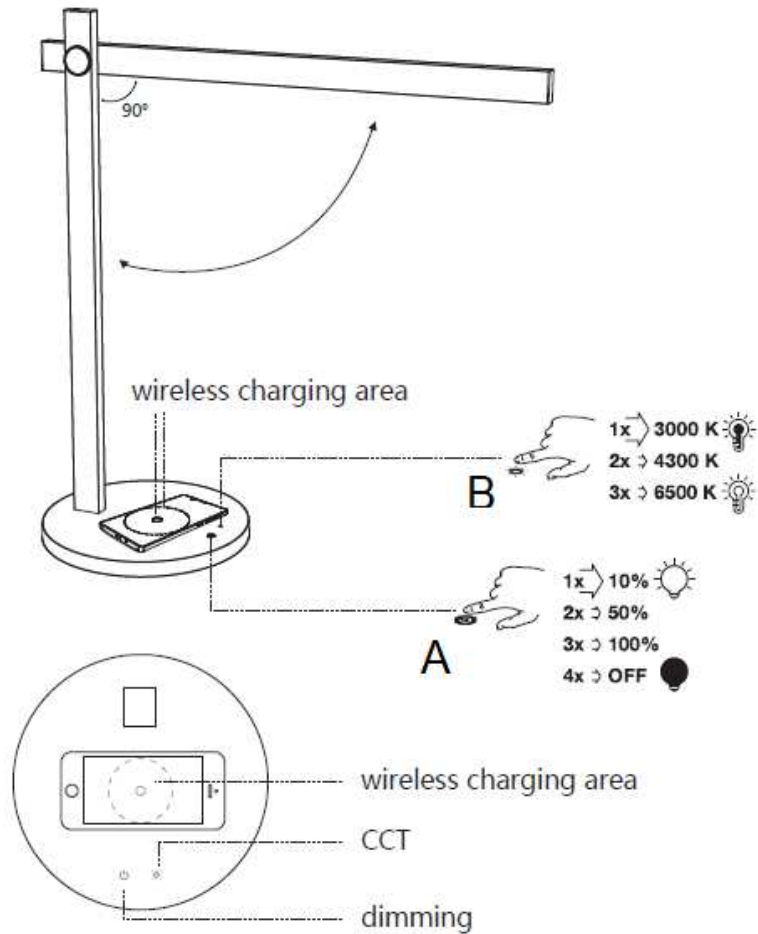
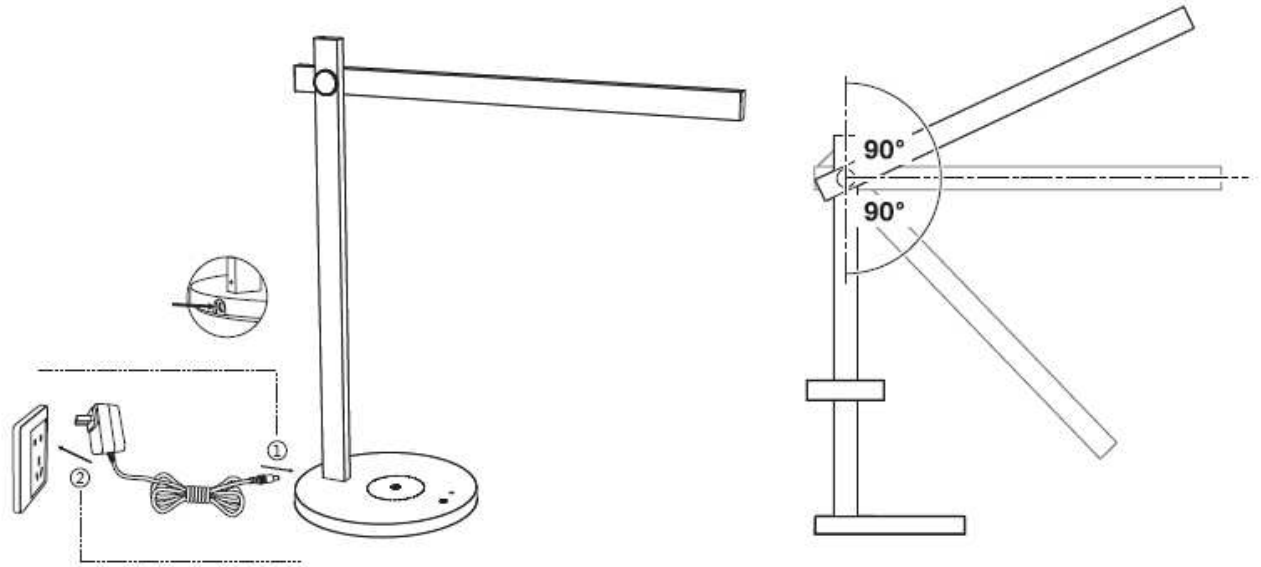
7. To turn the lamp ON/OFF and to dim from 10%-50%-100%, press the touch switch (A).
8. To change the colour temperature from 3000K-4300K-6500K, press the touch switch (B).

#### **Wireless charging:**

NOTE: The wireless charger is only compatible with Qi-compatible devices. Only charge your devices which are compatible. If unsure, check the user manual of your device.

1. Place your device on the wireless charging area. Make sure the device is over the circle symbol.
2. Charging will activate automatically. Check the status of your device to ensure charging is activated.

**NOTE: Slightly adjust the position of your device if charging is not activated.**



## Safety tips

- Always ensure the power is OFF and the luminaire has cooled down before performing any maintenance, cleaning or adjustment to the luminaire.
- To avoid injury or damage to the luminaire, ensure that the power lead is secure before connecting the power.
- Do not place any metal objects on the wireless charging area.
- Select a suitable location away from liquids and hazards.
- Ensure that the luminaire does not come in contact with corrosive chemicals/solvents or abrasive cleaners etc.
- To clean, wipe with a damp clean cloth. Never soak the luminaire with water.

## Specifications

SKU #	250885	250886
Model #	DE25111H11 Black	DE25111H11 White
Colour	Black	White
Rated Wattage	Max.10.5W (5.5W LED Light)	
Rated input	12V DC, 1.5A	
LED Specs	650 lumens, dimmable (3 step: 10%, 50%, 100%) CCT 3000K – 4300K – 6500K	
Wireless charger	5VAC 1A, Qi compatible devices only	
Weight	0.9kg	
Dimensions	H:430mm W:170mm L:407mm	