

MECCA LED MAKEUP MIRROR LIGHT

SKU# 250913

Rated Voltage 5V DC 1A

Thank you for purchasing this quality Lucci product. To ensure correct function and safety, please read and follow all instructions carefully before assembly, installation and use of the product. Please keep the instructions for future reference.

Warranty

- This product is covered by a 12 month warranty. Please retain proof of purchase.
- Warranty will be void if there is any damage due to improper usage or modification to the product.
- Failure to comply with the instructions in this manual may increase the risk of damage or injury and will void warranty.

Installation requirements





- Select a suitable location for the luminaire;
 - Ensure it is on a flat and stable surface.
 - This luminaire is suitable for indoor use only.
 - Keep away from liquids, dusty, humid, direct sun light, or hot areas.
- Lay out all the components on a smooth surface and make sure there are no components missing before assembling.
If parts are missing, return the complete product to the place of purchase for inspection or replacement.
- Check whether the luminaire has been damaged during transport. Do not operate/install any product which appears damaged in any way. Return the complete product to the place of purchase for inspection, repair or replacement.

Operation directions

Operation:

1. Take the luminaire out from the package then lift up the lamp head to the vertical position.
2. Rotate the head of your luminaire according to your need.

NOTE: When adjusting the angle of the head, do not rotate more than 180° as this may damage the internal wires.

3. Touch the switch  to turn the mirror light on and off.
4. Long press the switch  to adjust the brightness of the mirror light.
5. Touch the switch  to turn the table light on and off.
6. Long press the switch  to adjust the brightness of the table light.

Charging:

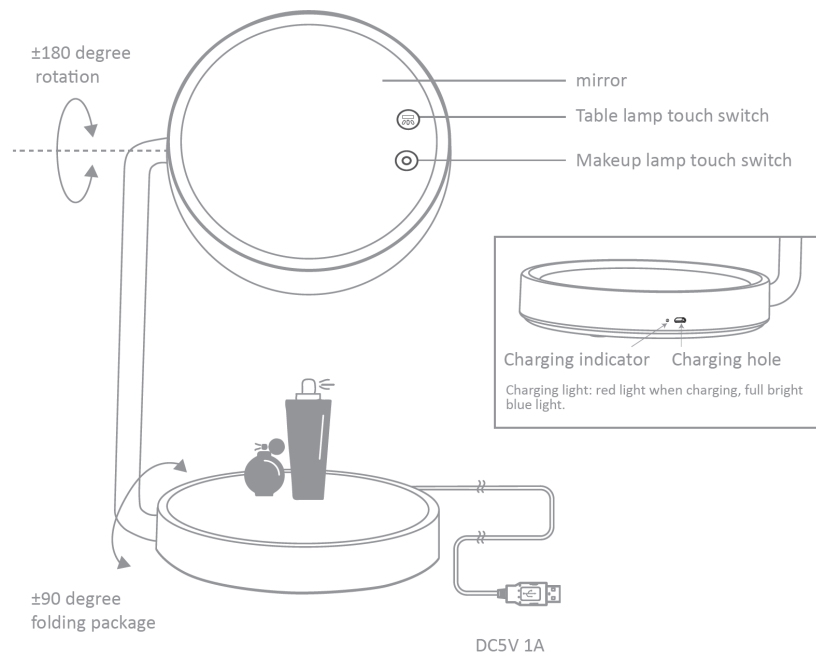
1. Charge the luminaire via the USB charging port provided on the base of the luminaire.

NOTE: Charging indicator will be red when charging and will become blue when fully charged.

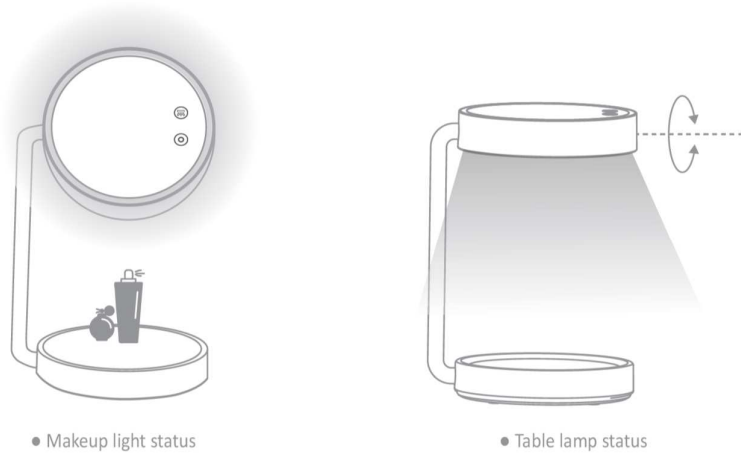
NOTE: Please ensure an appropriate power adaptor is used according to the rated input (5V DC, 1A) of this luminaire.



- Take out the lamp, according to the diagram method to the use state.



NOTE: When adjusting the angle of the head, do not rotate more than 180° as this may damage the internal wires.



Safety tips

- Always ensure the power is OFF and the luminaire has cooled down before performing any maintenance, cleaning or adjustment to the luminaire.
- To avoid injury or damage to the luminaire, ensure that the power lead is secure before connecting the power.
- Select a suitable location away from liquids and hazards.
- The luminaire is not a toy. Young children should be supervised to ensure that they do not play with the luminaire.
- The luminaire includes a built-in Li-ion battery. The battery of this luminaire is not replaceable; when the battery reaches its end of life the whole luminaire shall be replaced. Contact your local council to safely dispose of equipment with built-in battery.
- Handle the luminaire and/or mirror with care to avoid any damage or breakage.
- Ensure that the luminaire does not come in contact with corrosive chemicals/solvents or abrasive cleaners etc.
- To clean, wipe with a damp clean cloth. Never soak the luminaire with water.

Specifications

SKU #	250913
Model #	U30
Colour	White
Rated Wattage	14W (Table Light:7W + Mirror Light:7W)
Rated input	5V DC, 1A
LED Specs	Table Light: 340 lumens, CCT 4000K, CRI 85, Dimmable Mirror Light: 105 lumens, CCT 5000K, CRI 95, Dimmable
Battery capacity	1000mAh Built-in Li-ion rechargeable battery (Non-replaceable) USB charging cable included
Weight	1.5kg
Dimensions	H:284mm D:180mm