

HALO LED SELFIE LAMP

SKU# 259098

Rated Voltage 5V DC

Thank you for purchasing this quality Lucci product. To ensure correct function and safety, please read and follow all instructions carefully before assembly, installation and use of the product. Please keep the instructions for future reference.

Warranty

- This product is covered by a 12-month warranty from the date of purchase. Please retain the proof of purchase.
- Warranty will be void if there is any damage due to improper usage or modification to the product.
- Failure to comply with the instructions in this manual may increase the risk of damage or injury and will void the warranty.

Installation Requirements

- Select a suitable location for this luminaire:
 - Ensure it is on a flat and stable surface.
 - This luminaire is suitable for indoor use only.
 - Do not place flammable material near or over the luminaire.
 - Ensure the luminaire is not installed in direct line of an air vent/system.
 - If the luminaire is placed in an area prone to moisture, ensure that the area is well ventilated, and an appropriately rated exhaust fan is used if required. Damage or corrosion caused by moisture is not a product fault, and as such is not covered under warranty.
- Take care not to pull any electrical wires during unpacking as this may damage the connection.
- Lay out all the components on a smooth surface and make sure no components are missing before assembling. If parts are missing, return the complete product to the place of purchase for inspection or replacement.
- Check whether the luminaire has been damaged during transport. Do not operate/install any luminaire which appears damaged in any way. Return the complete product to the place of purchase for inspection, repair or replacement.
- Do not plug into the mains power socket-outlet before or during assembly. Only do so after the luminaire is fully assembled and is ready to use for the first time.

Installation Directions

Remove all packaging material from the luminaire and the accessories.

1. Install the phone holder onto the luminaire part. (Fig.1)
2. Install the tripod head onto the luminaire part. (Fig.2)
3. Install the luminaire part onto the tripod stand. (Fig.3)
4. Loosen the adjusting knob then adjust the position and angle of the luminaire part according to your need. Ensure the knob is tightened once it is adjusted.

NOTE: Make sure the angle of the luminaire is less than 15° to the vertical position so that the stability can be maintained.

5. Plug the USB cable onto an appropriate power adapter or equipment which provides USB output.

NOTE: It is recommended to use adapters or the equipment, which can provide at least 1A current in the USB output to achieve the best performance of the luminaire.

6. Use the cord line switch to turn the luminaire on/off. Use the buttons on the cord-line switch to adjust the brightness and the CCT (3000K – 4500K – 6500K) according to Fig.A.

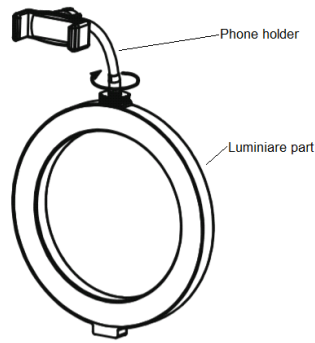


Fig.1

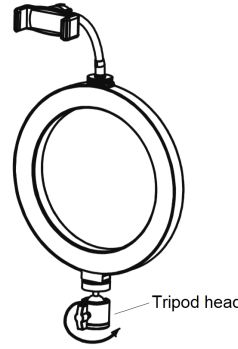


Fig.2

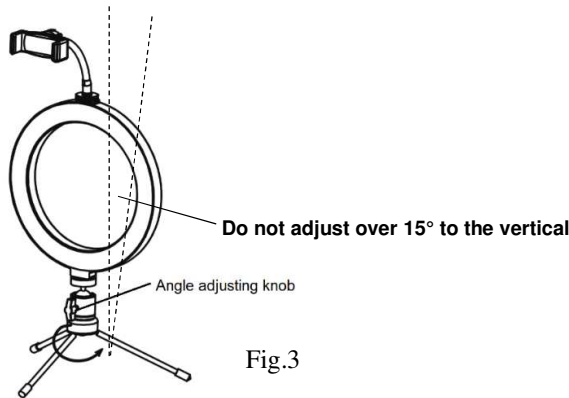


Fig.3

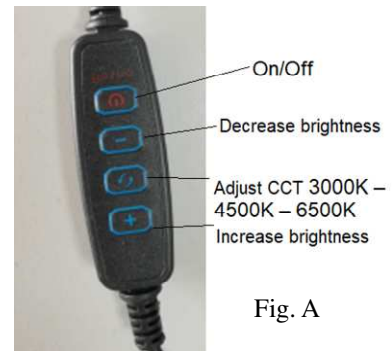


Fig. A

Safety Tips

- Always ensure the power is OFF and the luminaire has cooled down before performing any maintenance, cleaning or making any adjustment to the luminaire.
- To avoid injury or damage to the luminaire, ensure that power leads and screws are secure before connecting the power.
- This luminaire is NOT a toy. Keep out of reach of young children. Young children should be supervised to ensure that they do not play with the portable lamp.
- The light source contained in this luminaire shall only be replaced by the manufacturer or his service agent or a similar qualified person.
- The external flexible cable or cord of this luminaire cannot be replaced; if the cord is damaged, the luminaire shall be destroyed.
- Handle the luminaire with care to avoid any damage or breakage.
Select a suitable location away from liquids and hazards.
- To clean, wipe with a soft damp cloth. Do NOT soak or immerse the luminaire in water or other liquids.
- Ensure that the luminaire does not come in contact with corrosive chemicals/solvents or abrasive cleaners etc.

Specifications

SKU #	259098
Colour	Black
Rated Voltage	5V DC, 1A
Rated Wattage	6W
LED Specs	Max.720 lumen, Dimmable CCT 3000K – 4500K – 6500K
Weight	0.4kg
Dimensions	H:570mm Dia:293mm